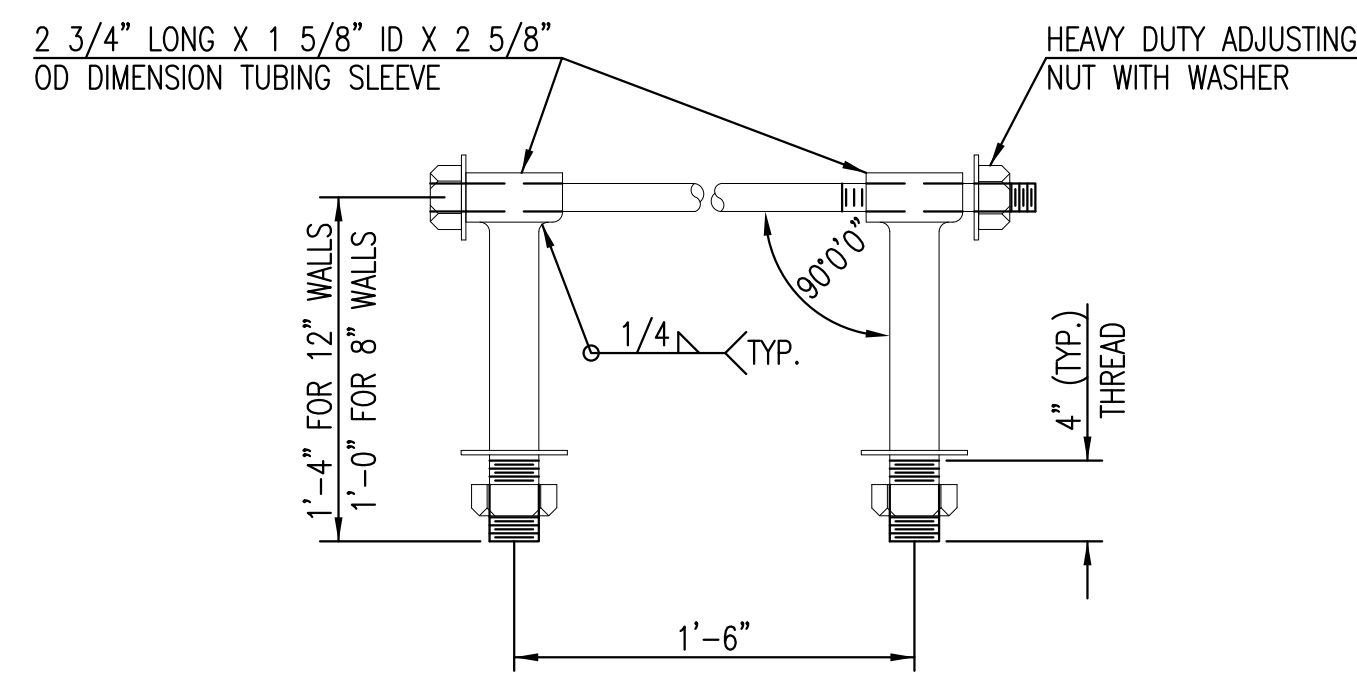


PLOTTED: Monday, May 09, 2016 @ 01:55PM

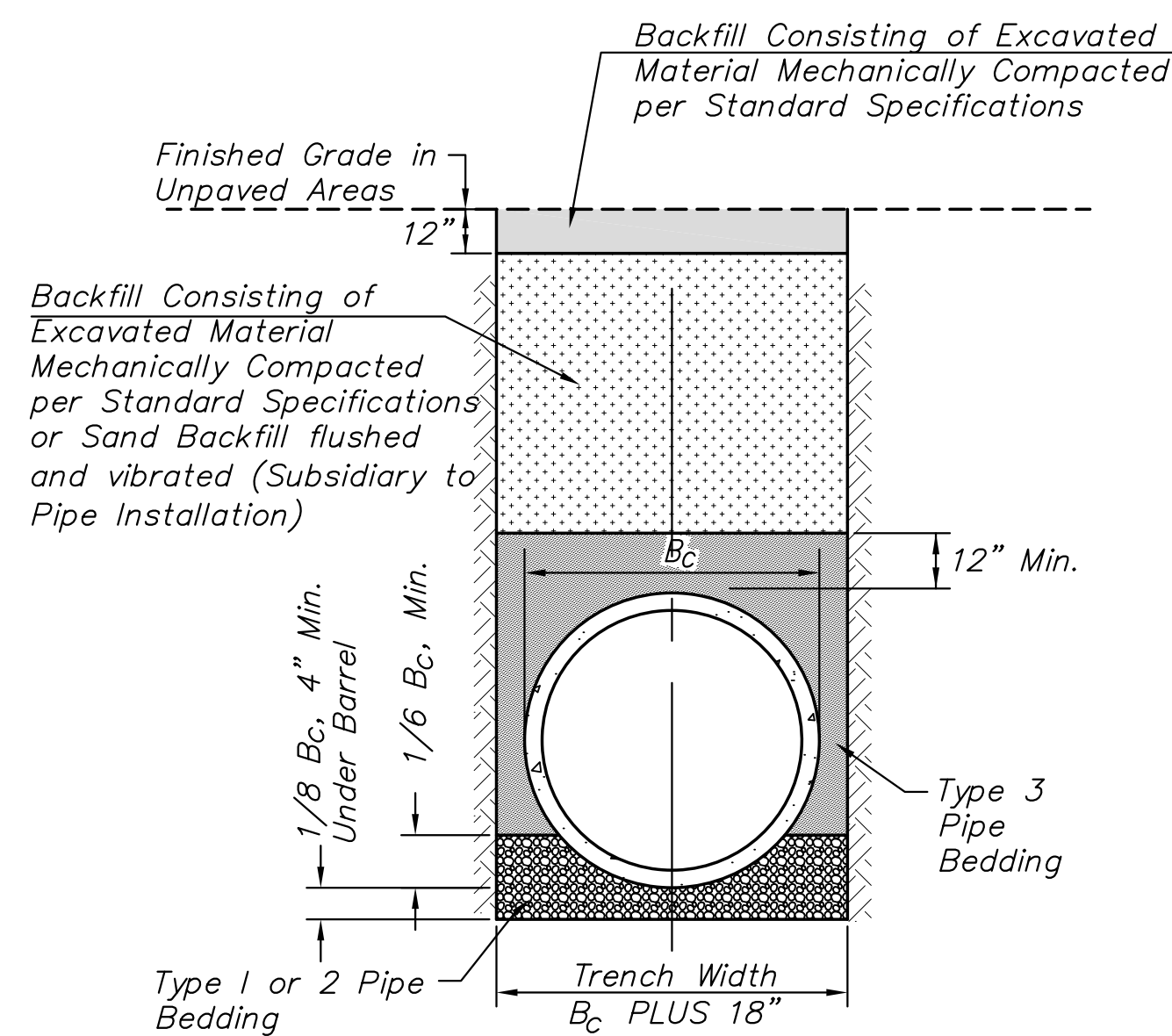


HEAVY DUTY (H.D.) COUPLER

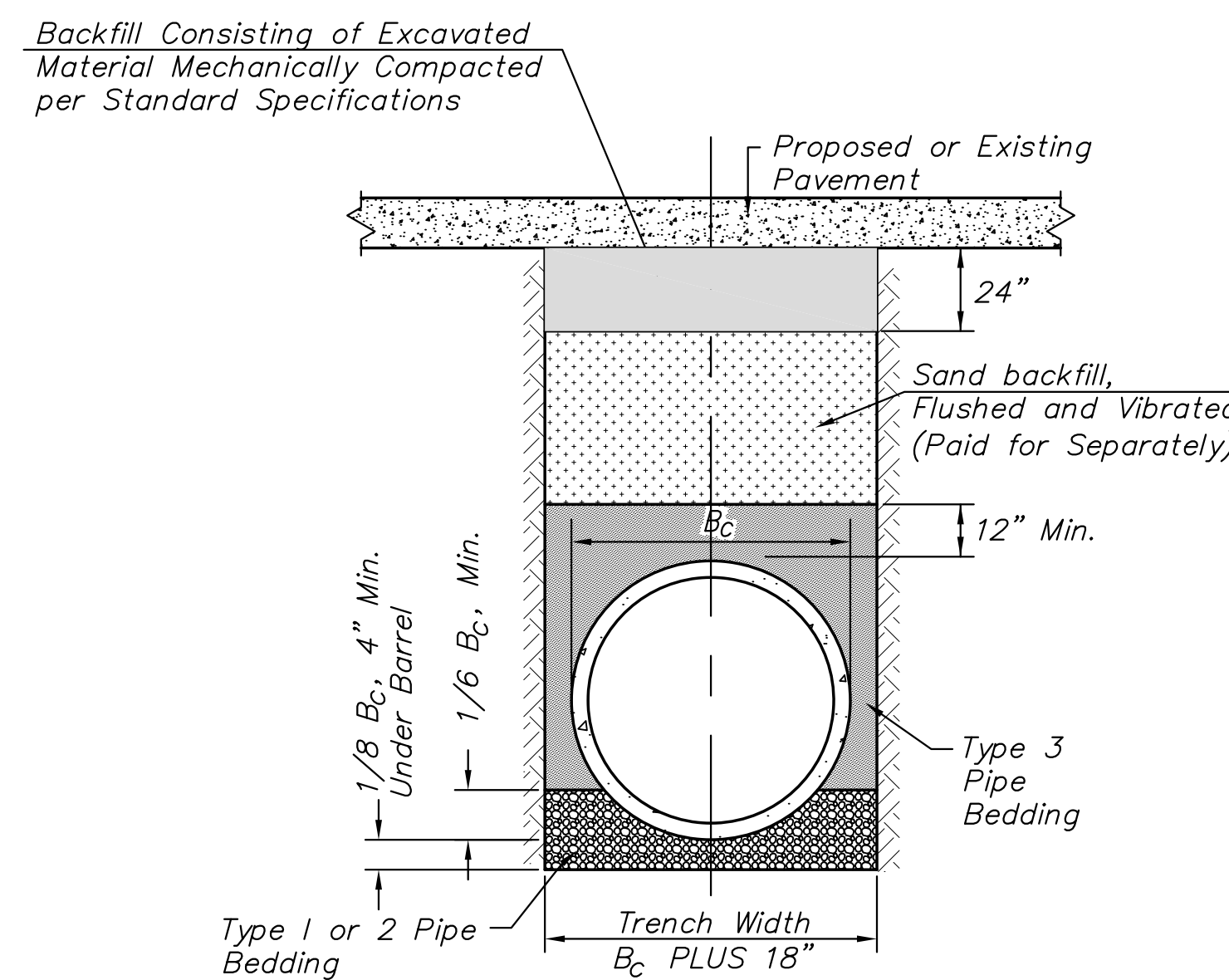
NO SCALE

NOTES

1. BOLTS TO BE A-36 1 1/2" DIAMETER.
2. BOLTS, NUTS, WASHERS AND SLEEVES TO BE ZINC PLATED.
3. WASHERS TO BE 3 1/2" O.D. X 7 GAUGE.
4. SHIP WITH NUTS AND WASHERS PLACED ON BOLTS.

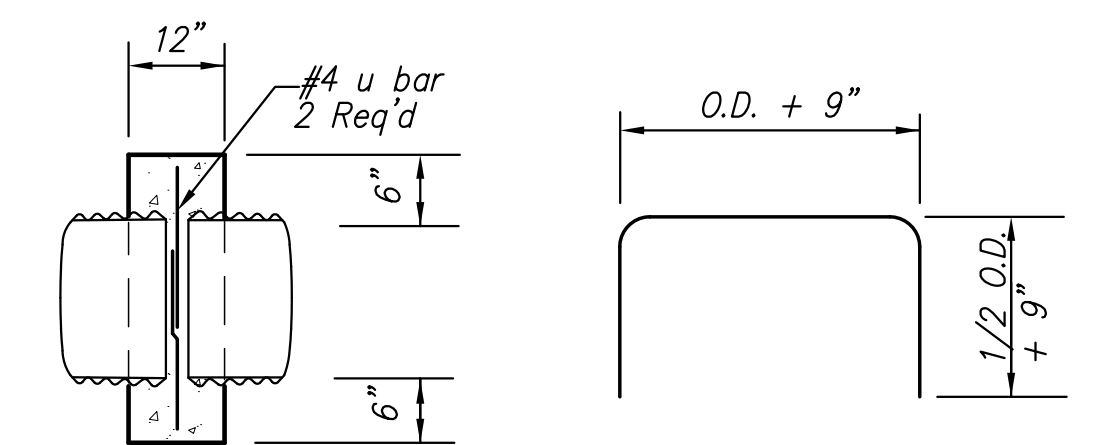


STORM SEWER TRENCH DETAIL



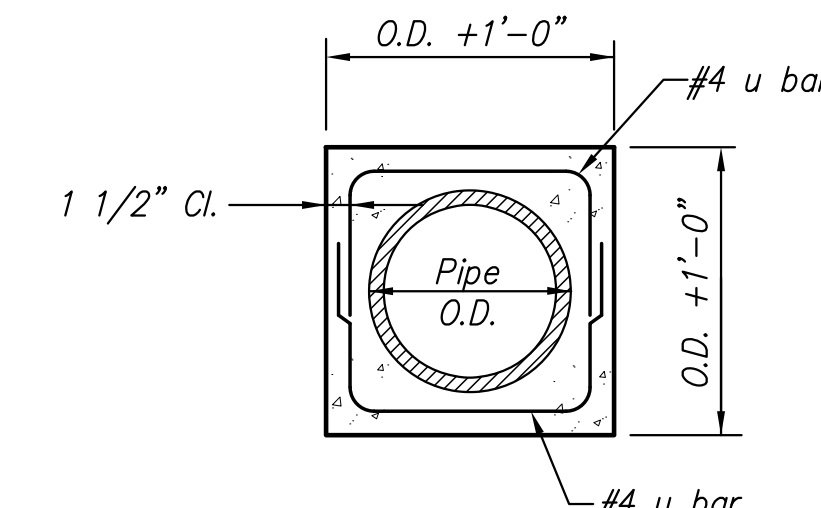
Under Pavement or Adjacent to Pavement when back of curb is within 1' of edge of trench.

STATE	PROJECT NO.	YEAR	SHEET NO.	TOTAL SHEETS
KANSAS	87 N-0597-01	2016	81	191

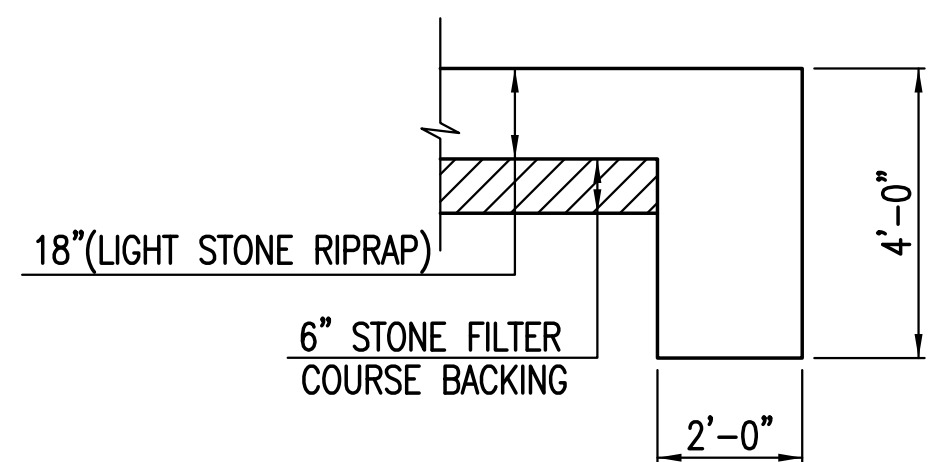


BENDING DIAGRAM

All dimensions are out-to-out of bars



ELEVATION COLLAR DETAIL



TYPICAL SECTION THRU TOEWALL

NO SCALE

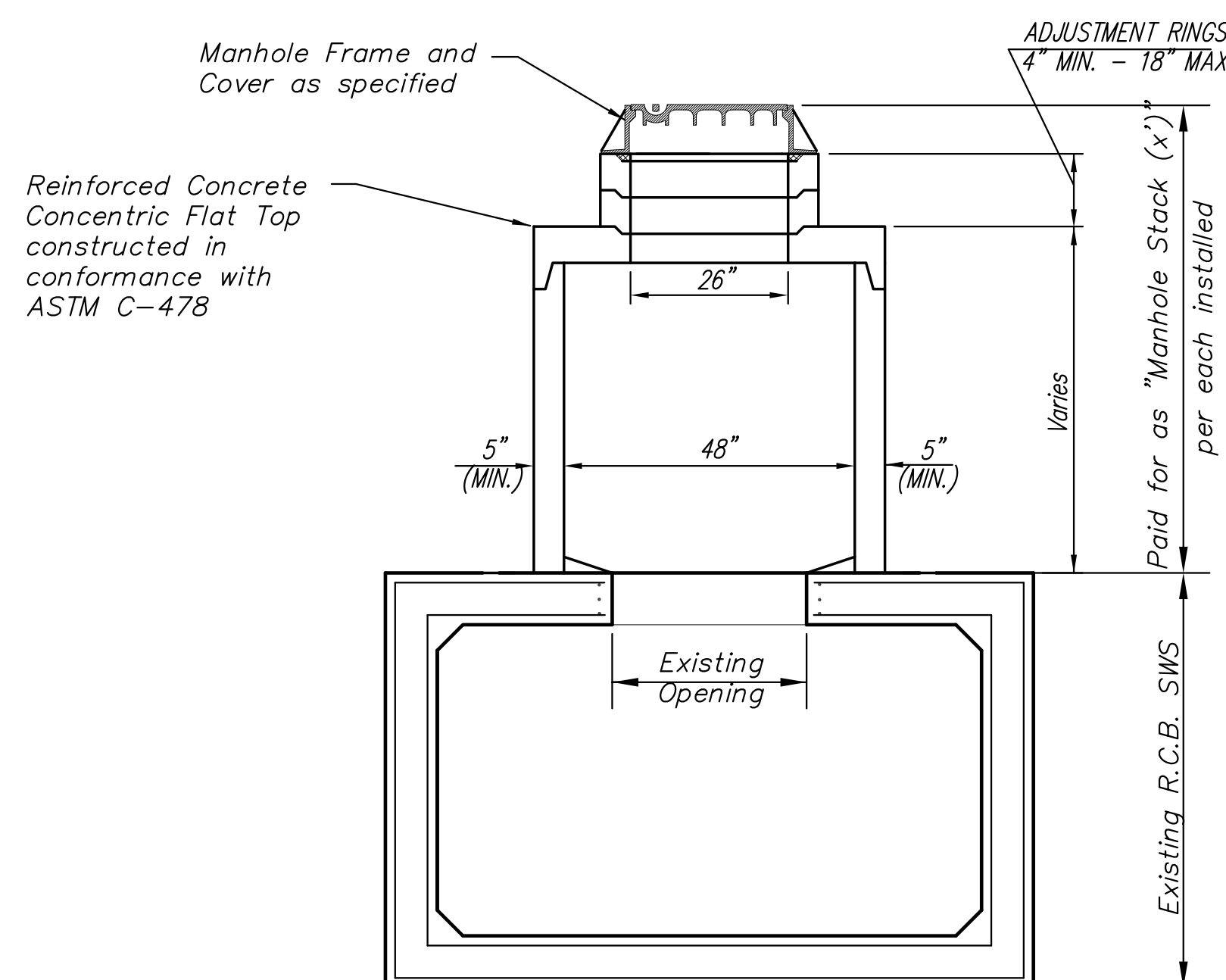
NOTES

1. ALL RIPRAP FOR THIS PROJECT SHALL BE NATURAL STONE. NEITHER BROKEN CONCRETE, FABRIC ENVELOPE, NOR PREMIXED DRY PACKAGED CONCRETE BAG ALTERNATES WILL BE ALLOWED, UNLESS INDICATED OTHERWISE.
2. TOEWALLS SHALL BE INSTALLED ALONG ALL UNPROTECTED EDGES OF STONE RIPRAP.
3. GROUTING OF THE SURFACE OF THE RIPRAP SHALL NOT BE PERFORMED, UNLESS INDICATED OTHERWISE. GROUTING OF THE TOEWALLS SHALL BE PERFORMED PER CITY SPECIFICATIONS.

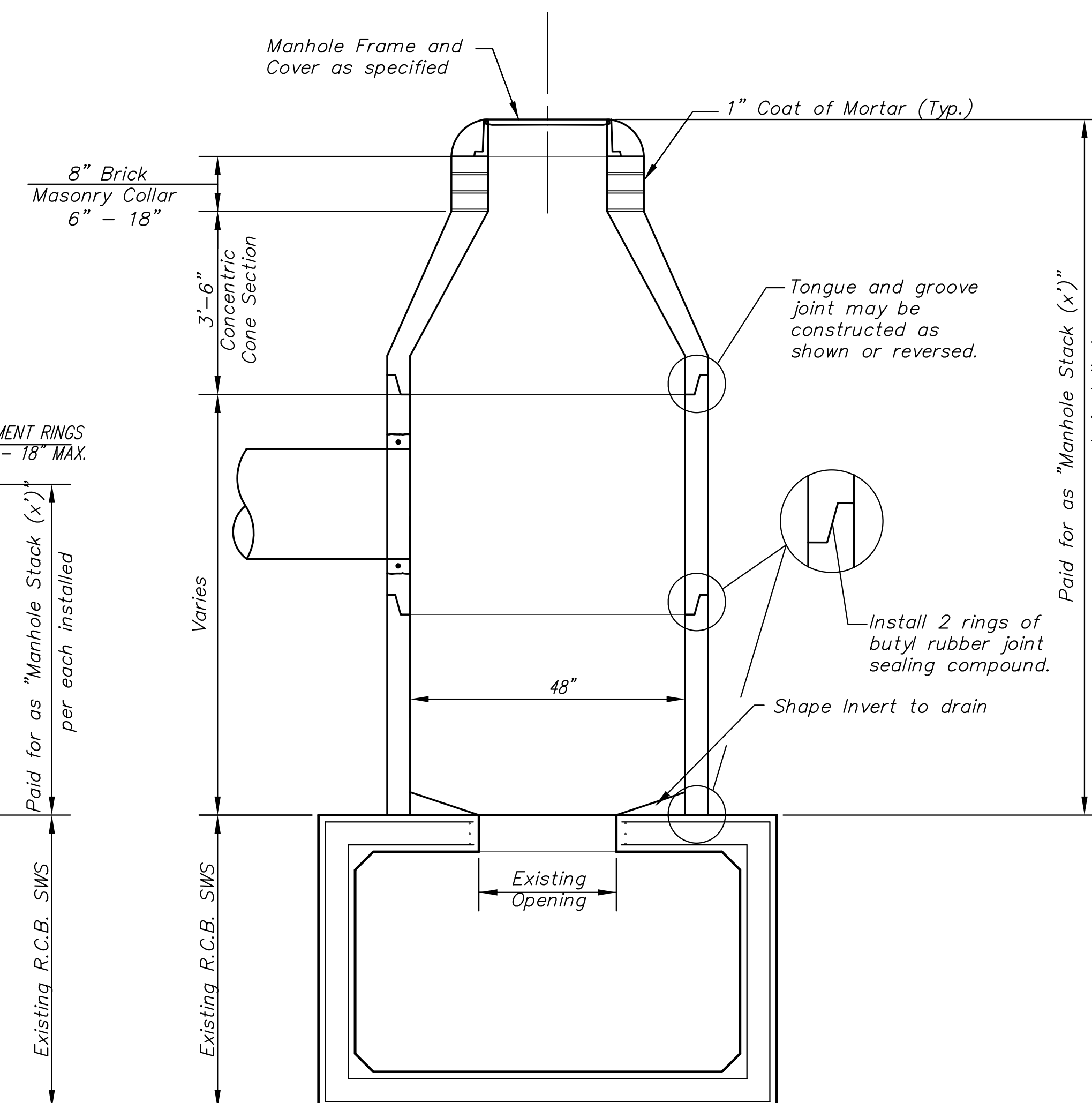
LIGHT STONE RIPRAP DETAILS

GENERAL NOTES

1. All Pre-Cast Concrete Manhole Stacks shall conform to the City of Wichita's Standard Specifications and the General Notes on the Standard Pre-Cast Manhole detail.



SHALLOW MANHOLE STACK



MANHOLE STACK DETAIL

**STREET IMPROVEMENTS FOR:
 PAWNEE AVENUE
 FROM HYDRAULIC TO POPLAR
 WICHITA, KANSAS**

©2013 MKEC Engineering All Rights Reserved www.mkec.com These drawings and their contents, including, but not limited to, all concepts, designs, & ideas are the exclusive property of MKEC Engineering (MKEC), and may not be used or reproduced in any way without the express consent of MKEC.

MISCELLANEOUS STORM SEWER DETAILS

PROJECT NO.	87 N-0597-01	
DATE	DATE	
SCALE	NO SCALE	
DESIGNED	DRAWN	CHECKED
JRA	JSB	JRA

NO.	REVISION	DATE

SHEET NO.

J:\CIVIL\057450\DWG\DETAILS\05745 STRM MISC DTLS.DWG