

STATE	PROJECT NO.	YEAR	SHEET NO.	TOTAL SHEETS
KANSAS	87 N-0597-01	2016	82	191



STREET IMPROVEMENTS FOR:
PAWNEE AVENUE
 FROM HYDRAULIC TO POPLAR
 WICHITA, KANSAS

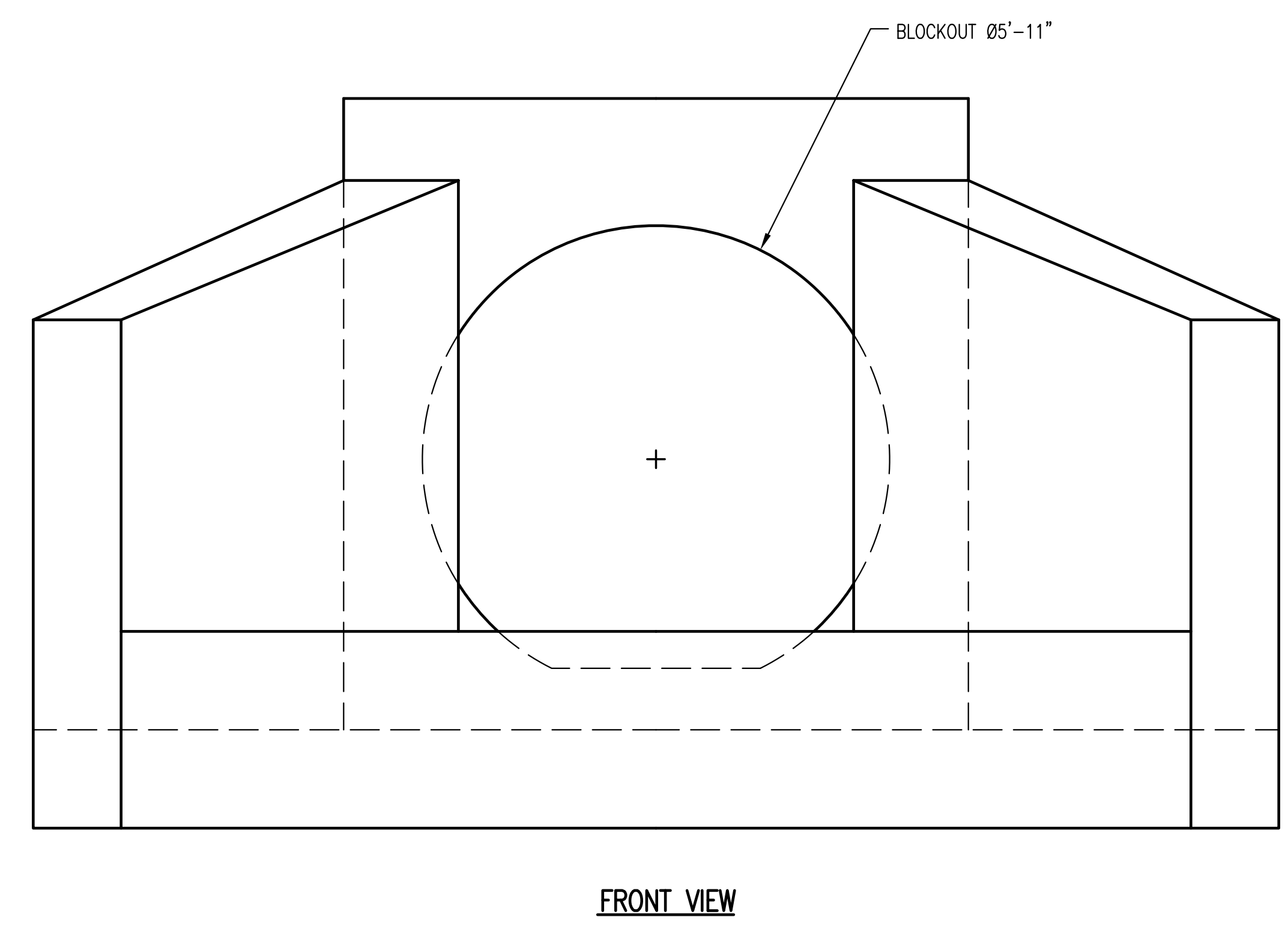
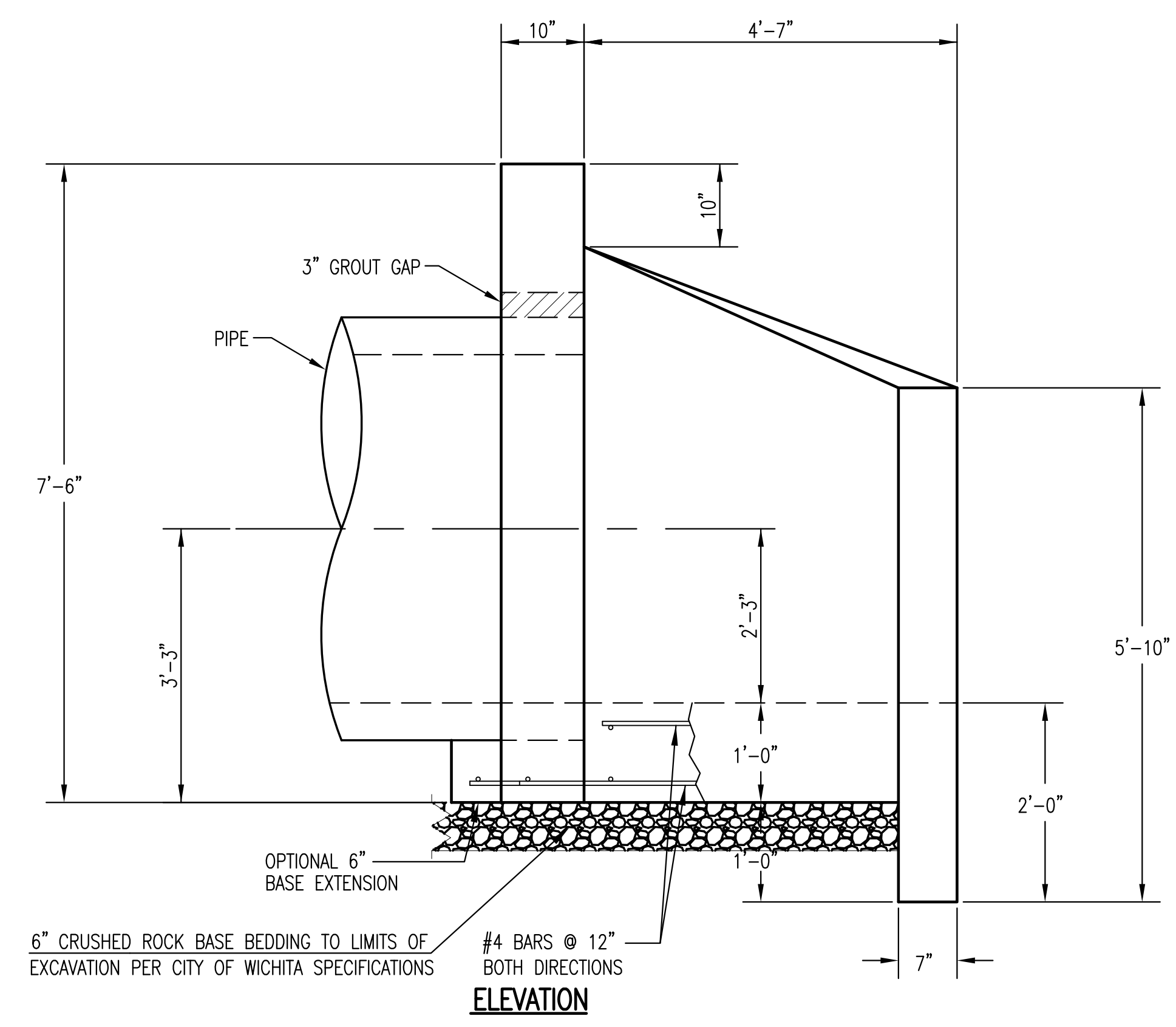
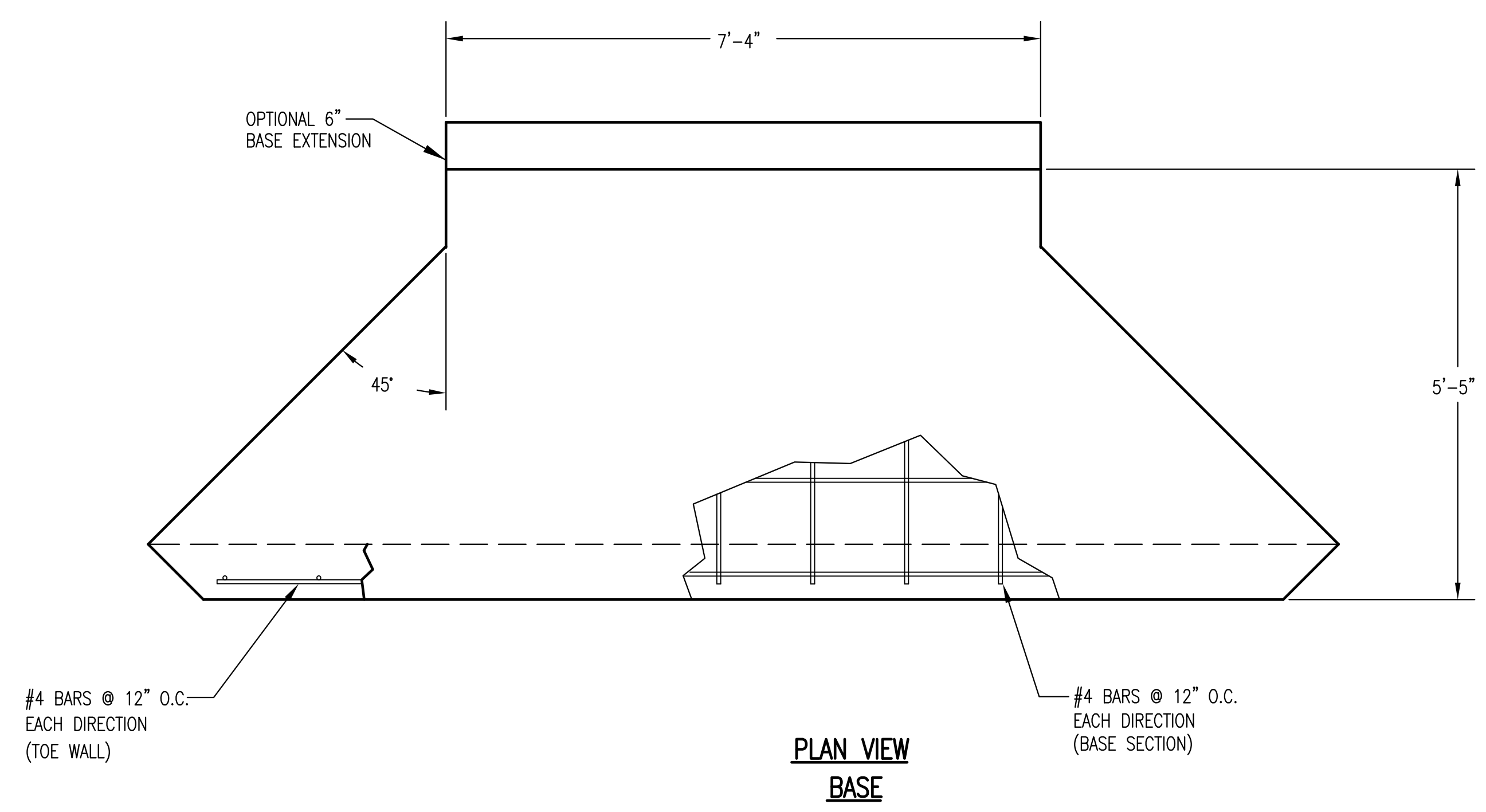
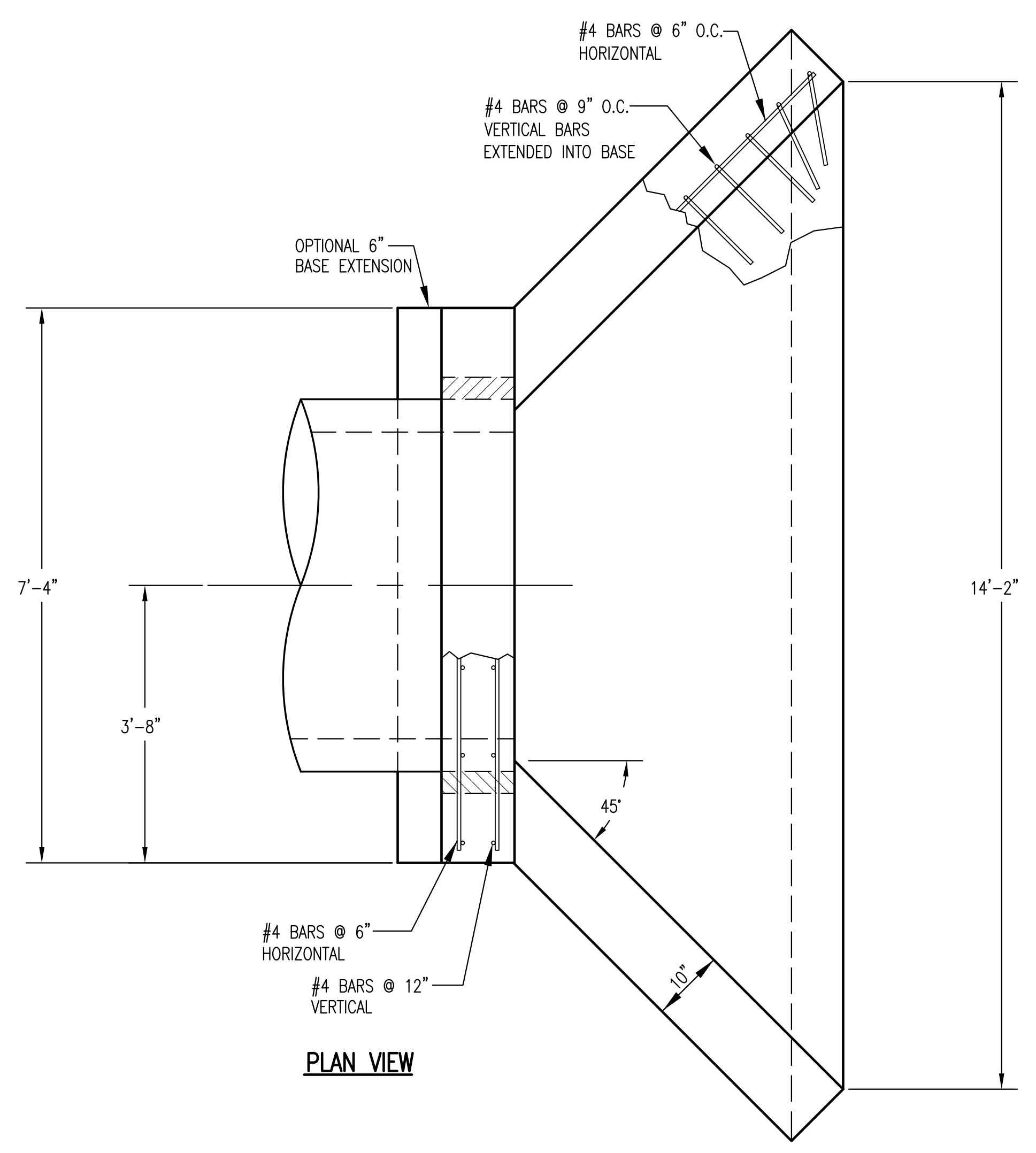
©2016
 MKEC Engineering
 All Rights Reserved
 www.mkec.com
 These drawings and their contents, including, but not limited to, all concepts, designs, & ideas are the exclusive property of MKEC Engineering (MKEC), and may not be used or reproduced in any way without the express consent of MKEC.

**HEADWALL
 DETAILS FOR
 54" PIPE**

PROJECT NO.	87 N-0597-01	
DATE	DATE	
SCALE	NO SCALE	
DESIGNED	DRAWN	CHECKED
JRA	JSB	JRA

NO.	REVISION	DATE

SHEET NO. 82 OF 191



PLOTTED: Monday, May 09, 2016 @ 01:55PM
 J:\CIVIL\05745\DWGS\SW-104-HEADWALL_42-48 DETAILS.DWG