

STATE	PROJECT NO.	YEAR	SHEET NO.	TOTAL SHEETS
KANSAS	87 N-0597-01	2016	87	191



STREET IMPROVEMENTS FOR:
PAWNEE AVENUE
FROM HYDRAULIC TO POPLAR
 WICHITA, KANSAS

©2013 MKEC Engineering
 All Rights Reserved
 www.mkec.com
 These drawings and their contents, including, but not limited to, all concepts, designs, & ideas are the exclusive property of MKEC Engineering (MKEC), and may not be used or reproduced in any way without the express consent of MKEC.

SANITARY SEWER MH DETAILS
STA. 28+80.45

PROJECT NO. 87 N-0597-01

DATE 5/10/2016

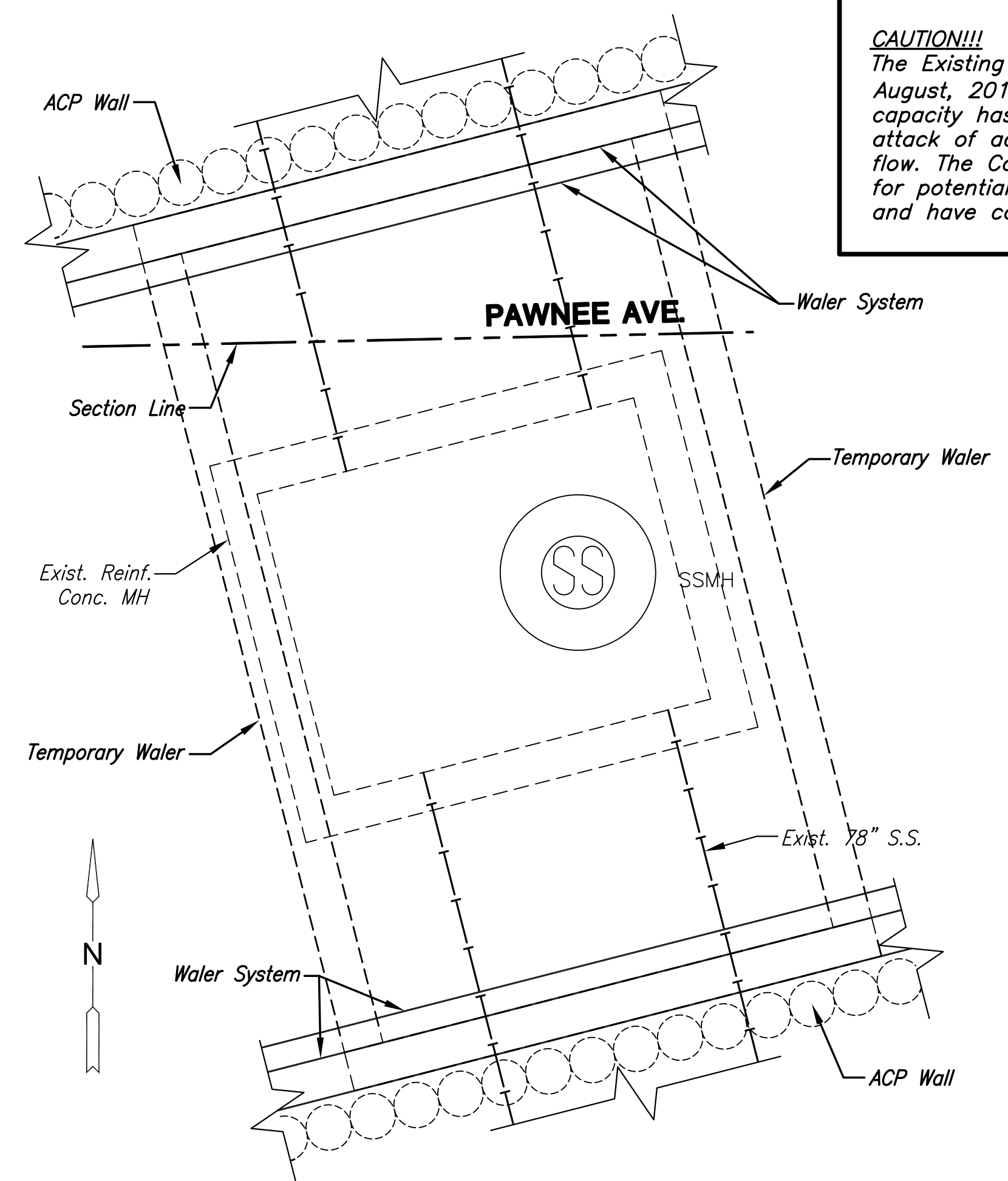
SCALE NO SCALE

DESIGNED DRAWN CHECKED
 KJS DMU JRA

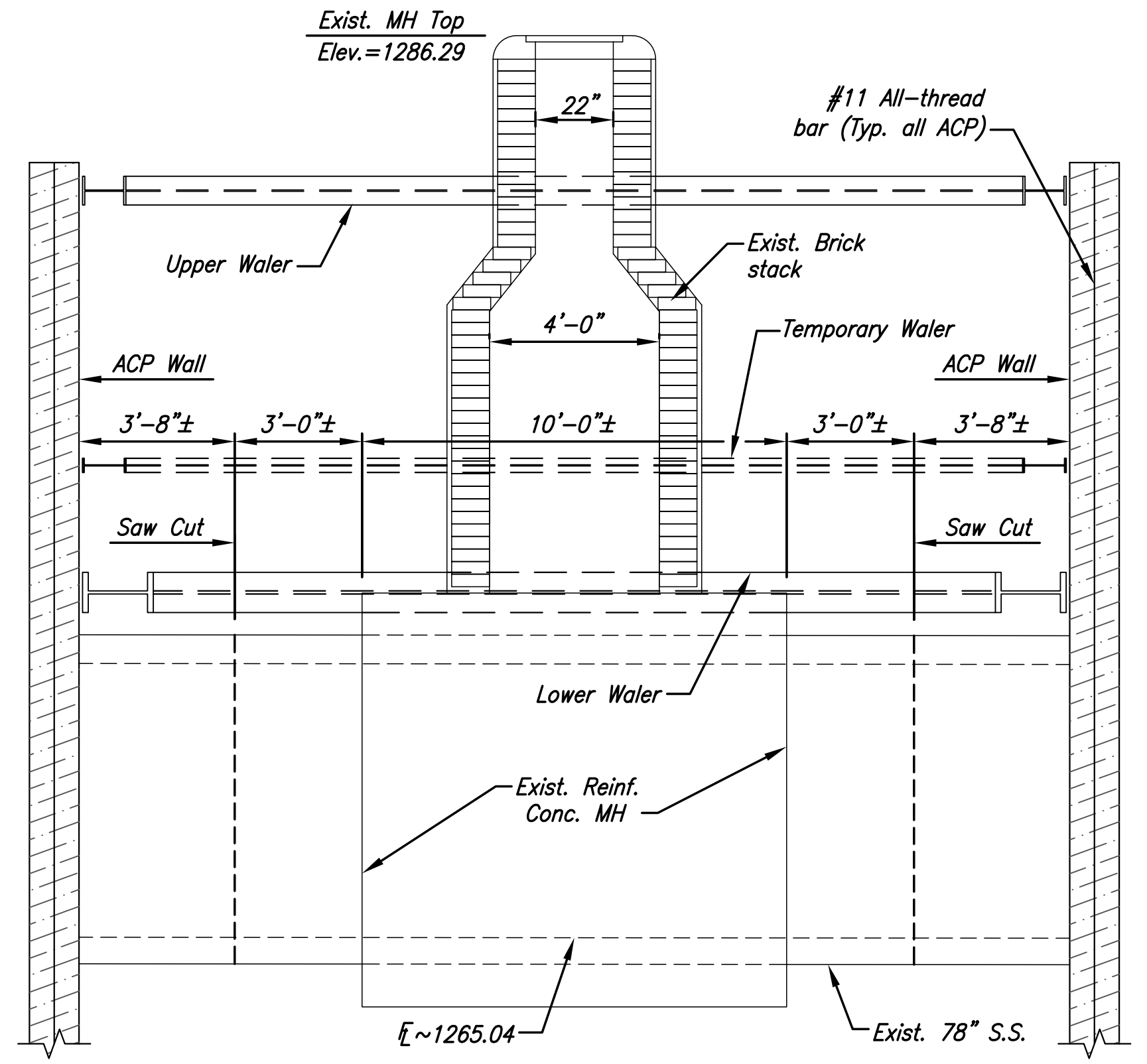
1	REVISED SHEET	06/16/16
NO.	REVISION	DATE

SHEET NO.

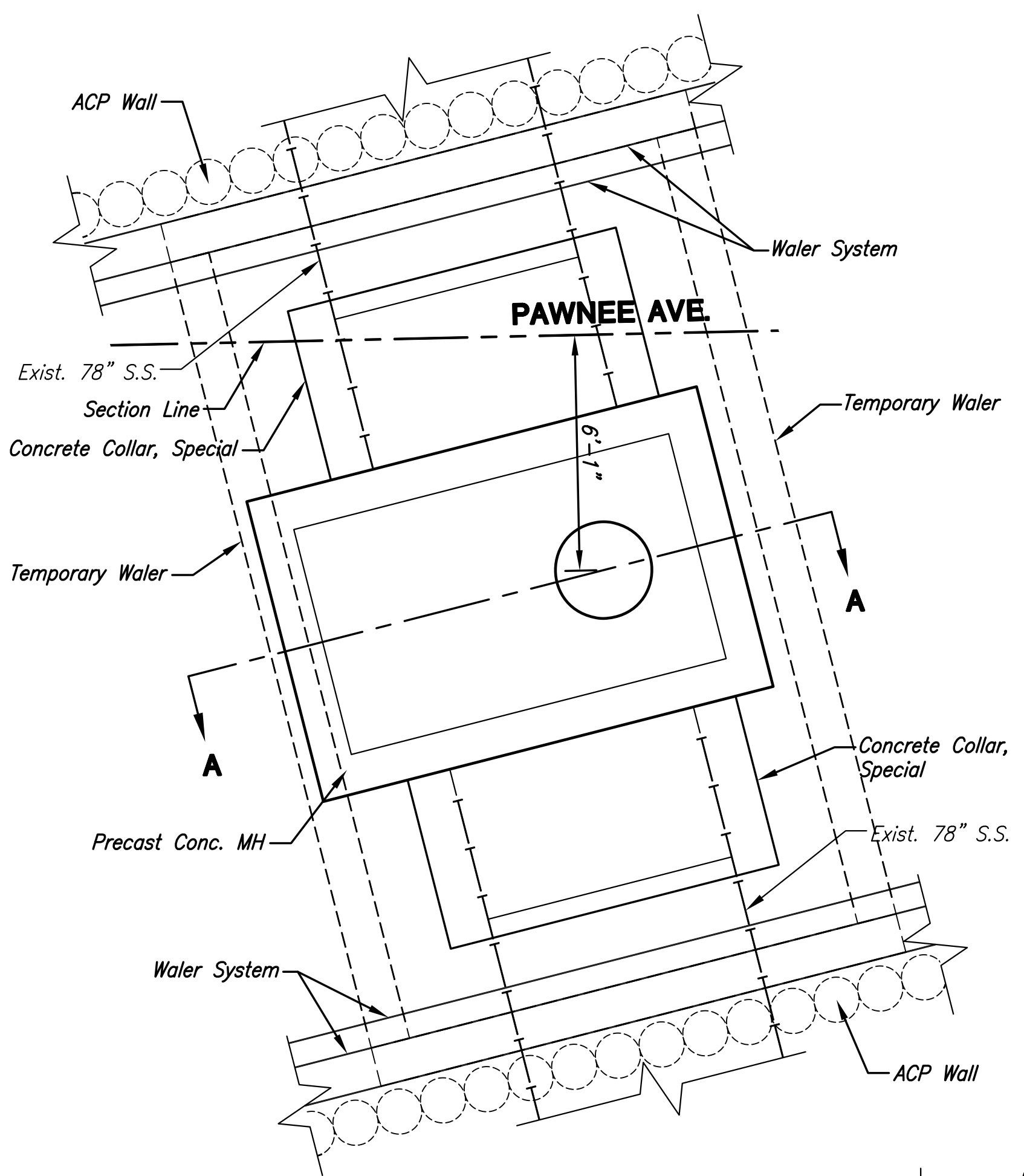
CAUTION!!!
 The Existing Manhole was inspected in August, 2015. The manhole's structural capacity has been seriously degraded by attack of acid, resulting from the sewer flow. The Contractor shall be prepared for potential collapse of the manhole, and have contingency plans in place.



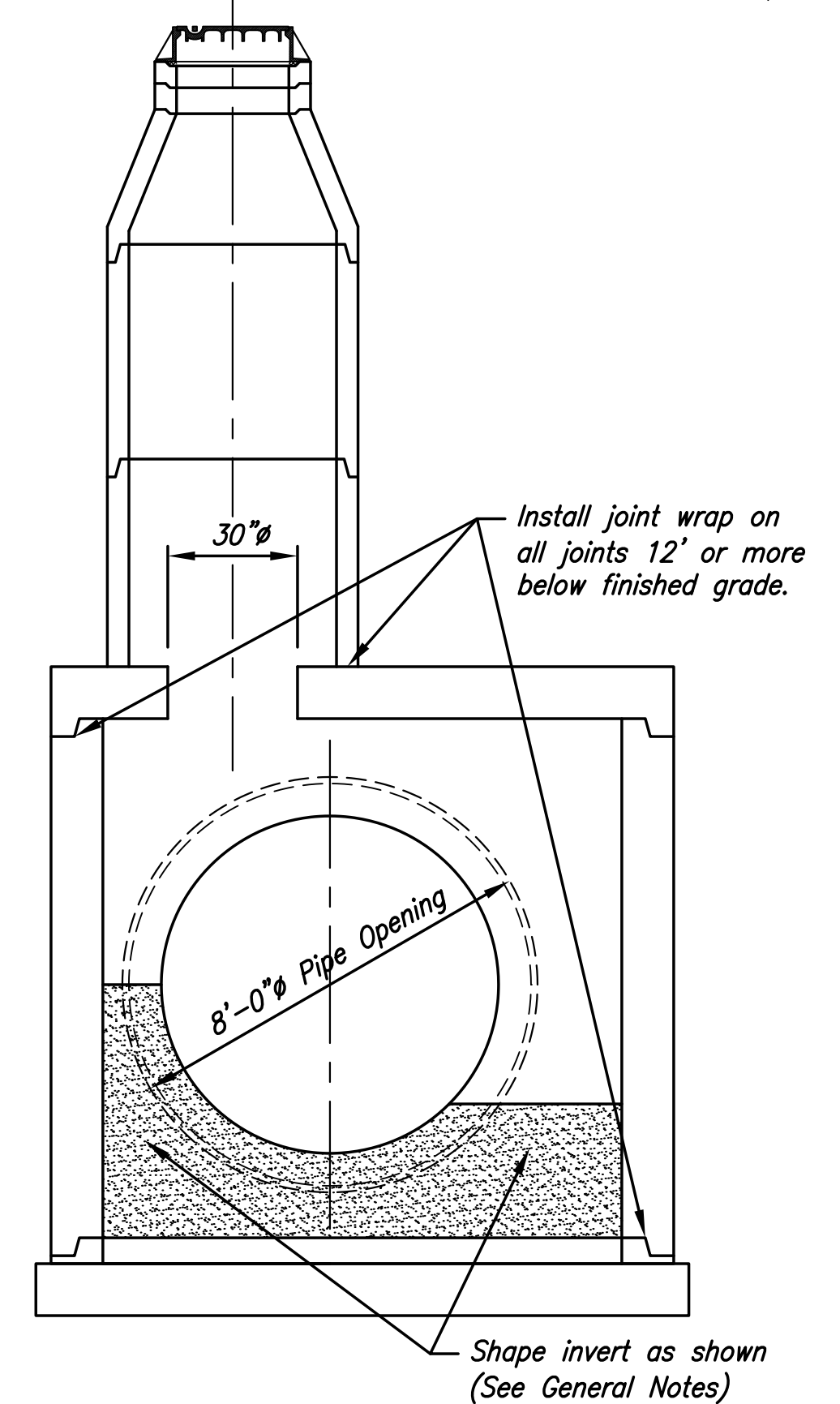
EXISTING MANHOLE - PLAN



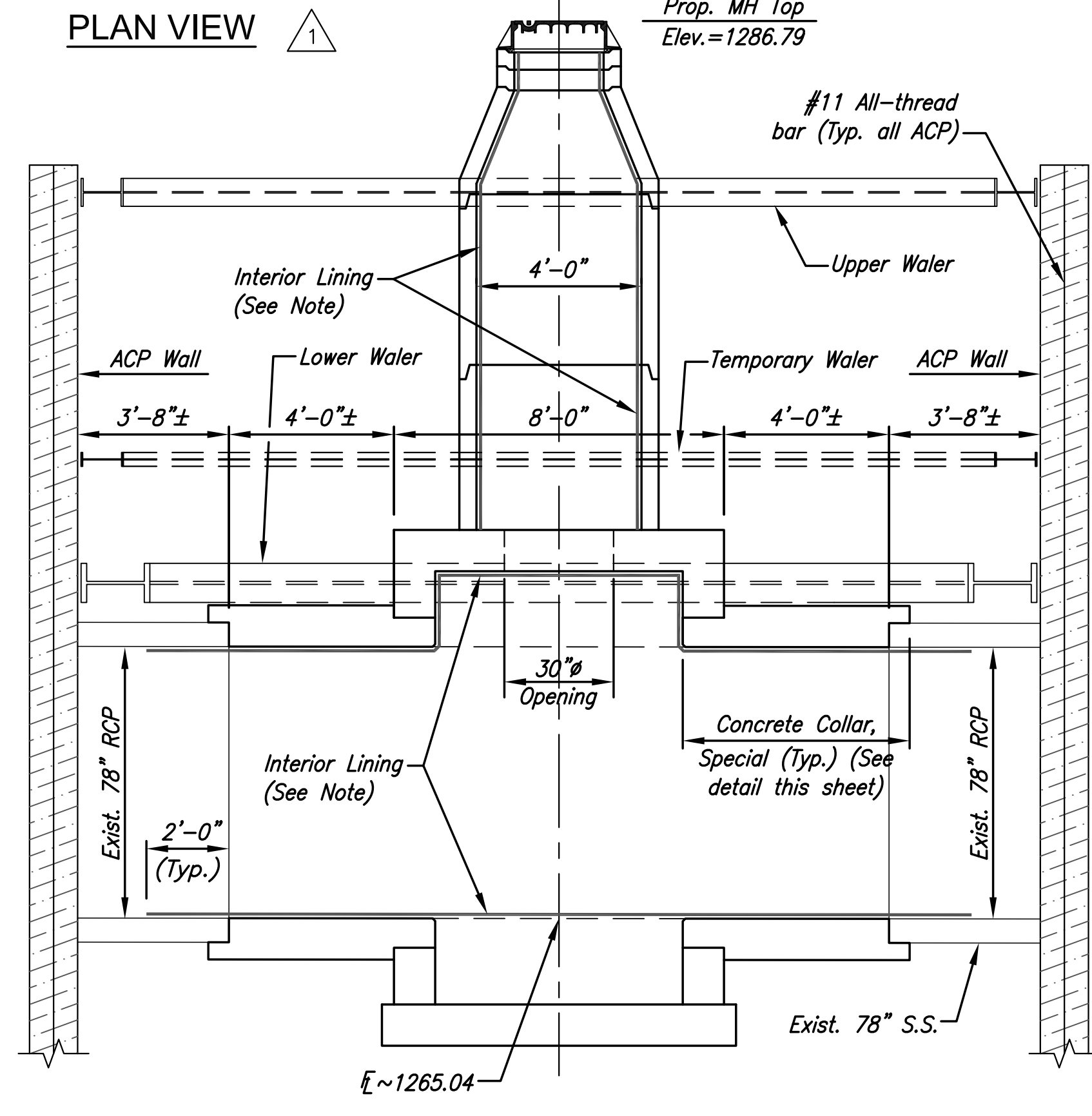
EXISTING MANHOLE - ELEVATION
 STA. 28+80.45 (Parallel to Exist. 78" S.S.)



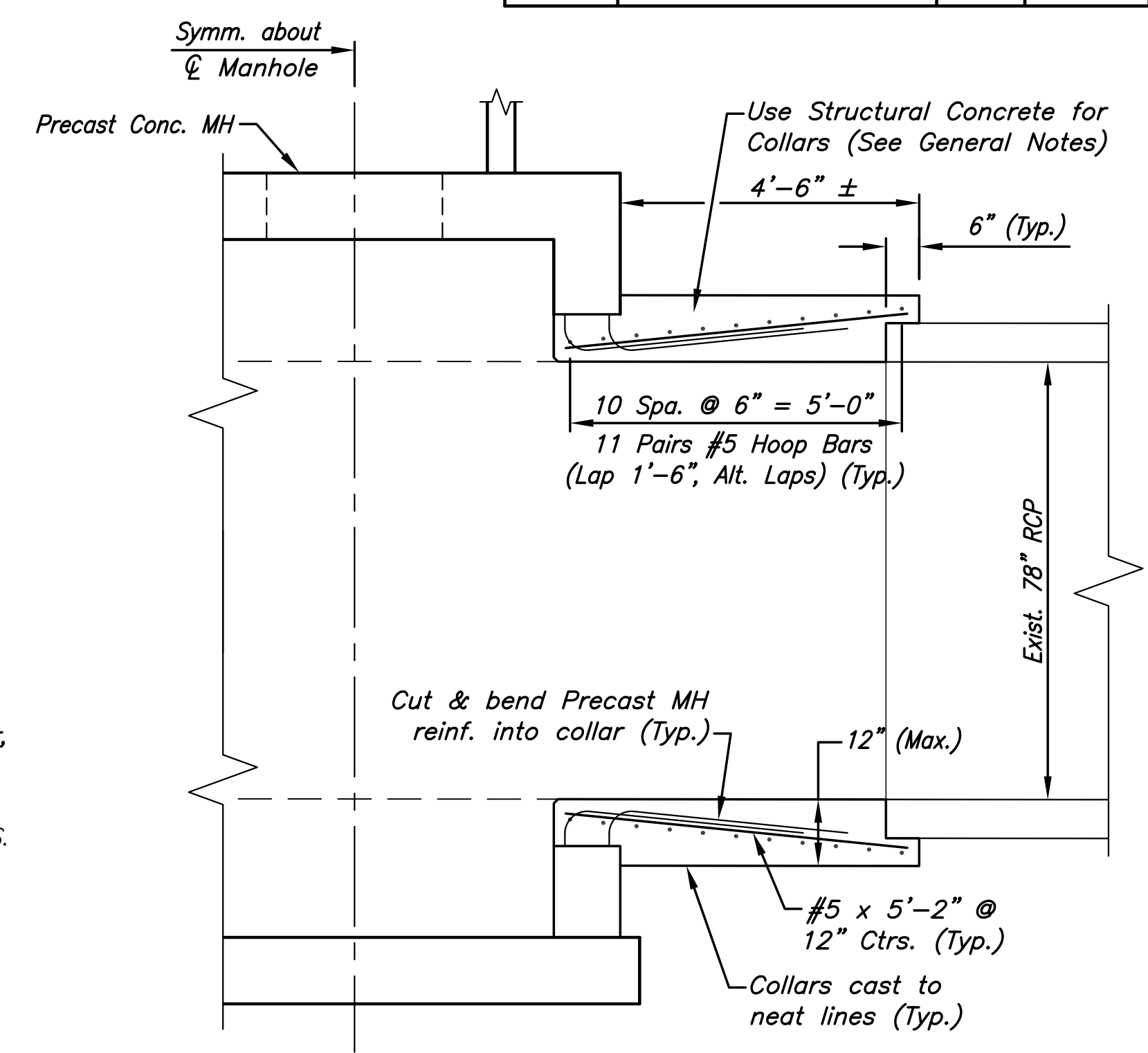
PLAN VIEW



SECTION A-A
 EXISTING MH - STA. 28+80.45



SECTION
 PROPOSED MH - STA. 28+80.45 (Along @ 78" S.S.)



CONCRETE COLLAR, SPECIAL (TYP.)

NOTE:
 After Conc. Collars are cast, interior surfaces of Precast MH, Stack, and 78" RCP shall be lined, to the limits shown, with a City of Wichita approved Interior Lining System in accordance with NACE No. 6/SSPC-SP 13.

GENERAL NOTES
PLAN DIMENSIONS:
 Dimensions shown in reference to the Exist. or Prop. manholes, the Exist. 78" RCP, etc. are based on the best information available at the time of design. If the Prop. precast manhole dimensions differ from those shown on these plans, it may be necessary to modify elevations as required to achieve the design intent.
CONCRETE SURFACE PREPARATION:
 Prior to casting new concrete, the Contractor shall brush blast, power wash, & water soak existing concrete surfaces abutting new construction.
STRUCTURAL CONCRETE:
 Concrete used for "Conc. Collar, Special" shall be Five Star Structural Concrete manufactured by Five Star Products, Inc., or an approved equal. Prepare and apply per manufacturer's recommendations.
MANHOLE INVERT:
 Concrete used for Invert shall be Five Star Structural Concrete manufactured by Five Star Products, Inc., or an approved equal. Prepare and apply per manufacturer's recommendations.
MATERIALS:
 Unless otherwise specified on these plans, materials used for construction shall be in compliance with City of Wichita Standard Specifications.

PLOTTED: Thursday, June 16, 2016 @ 10:25AM
 J:\CIVIL\057456\DWGS\SAN\057456D1.DWG