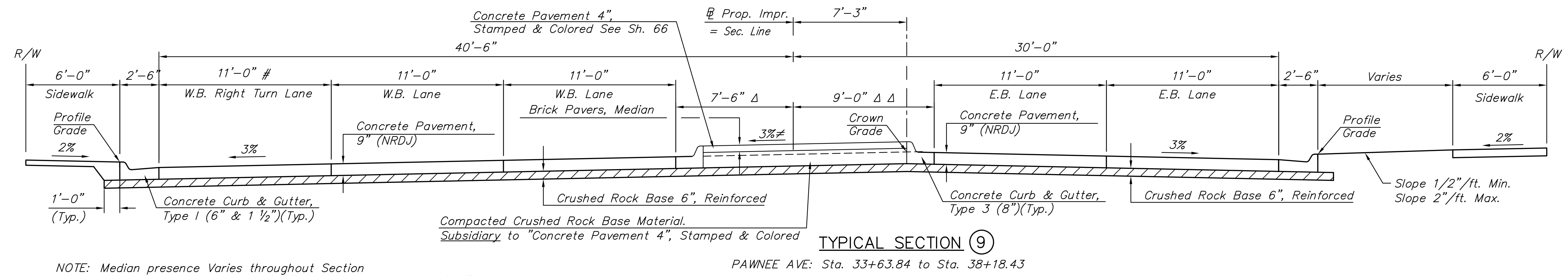
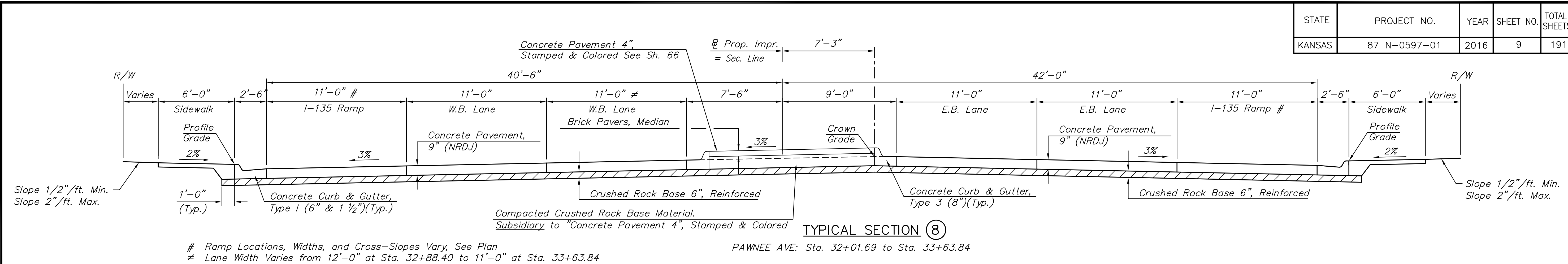


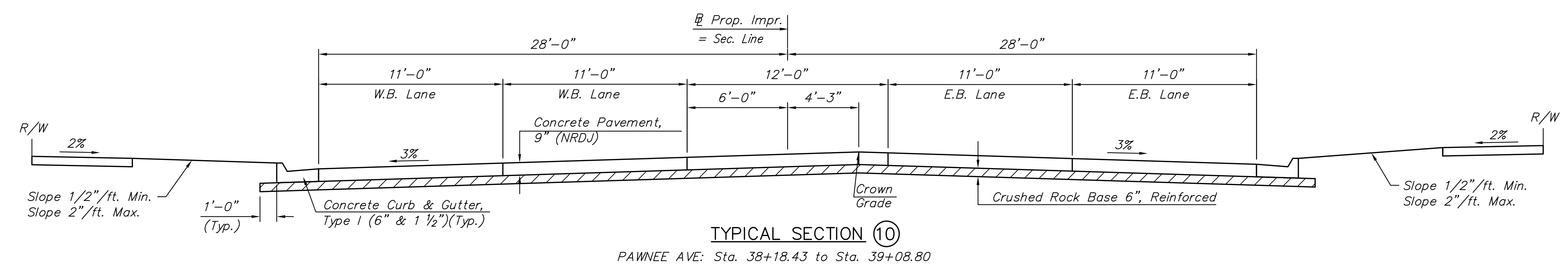
STATE	PROJECT NO.	YEAR	SHEET NO.	TOTAL SHEETS
KANSAS	87 N-0597-01	2016	9	191



STREET IMPROVEMENTS FOR:
PAWNEE AVENUE
FROM HYDRAULIC TO POPLAR
 WICHITA, KANSAS



NOTE: Median presence Varies throughout Section
 * Crown Offset Varies from 7'-3" at Sta. 37+05.65 to 4'-3" at Sta. 38+18.43
 # Lane Width Varies from 11'-0" at Sta. 37+05.65 to 0'-0" at Sta. 38+18.43
 ≠ Median Cross-slope Varies starting at Sta. 37+05.65
 Δ Width Varies from 7'-6" at Sta. 37+05.65 to 6'-0" at Sta. 38+18.43
 ΔΔ Width Varies from 9'-0" (Right of Sec. Line) at Sta. 34+77.34 to 2'-0" (Left of Sec. Line) at Sta. 35+39.13
 Width Varies from 9'-0" at Sta. 37+05.65 to 6'-0" at Sta. 38+18.43



©2013
 MKEC Engineering
 All Rights Reserved
 www.mkec.com
 These drawings and their contents, including, but not limited to, all concepts, designs, & ideas are the exclusive property of MKEC Engineering (MKEC), and may not be used or reproduced in any way without the express consent of MKEC.

TYPICAL SECTIONS		
PROJECT NO.	87 N-0597-01	
DATE	DATE	
SCALE	NO SCALE	
DESIGNED	DRAWN	CHECKED
JRA	JSB	JRA
NO.	REVISION	DATE
SHEET NO.		
9 OF 191		

PLOTTED: Monday, May 09, 2016 @ 11:27AM
 J:\CIVIL\057450\DWG\TITLE\057450745TP3.DWG