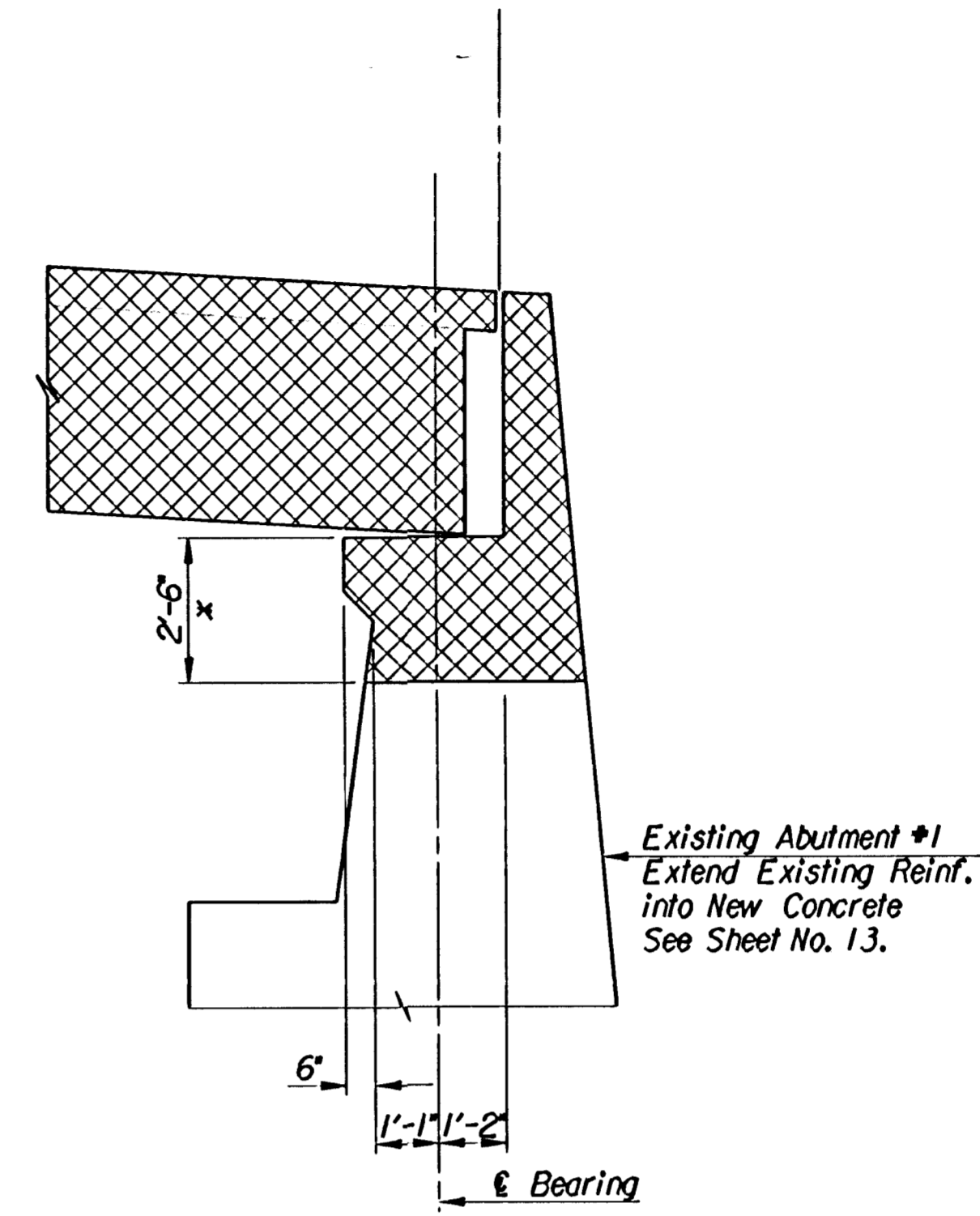
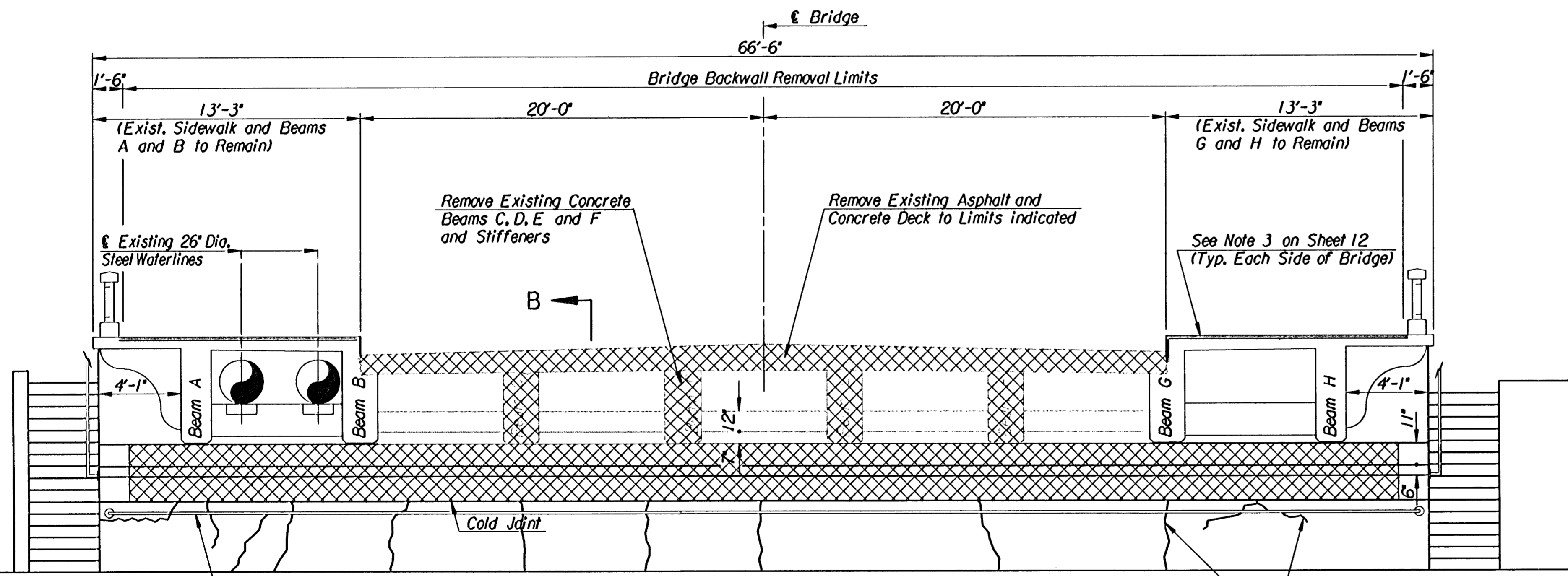


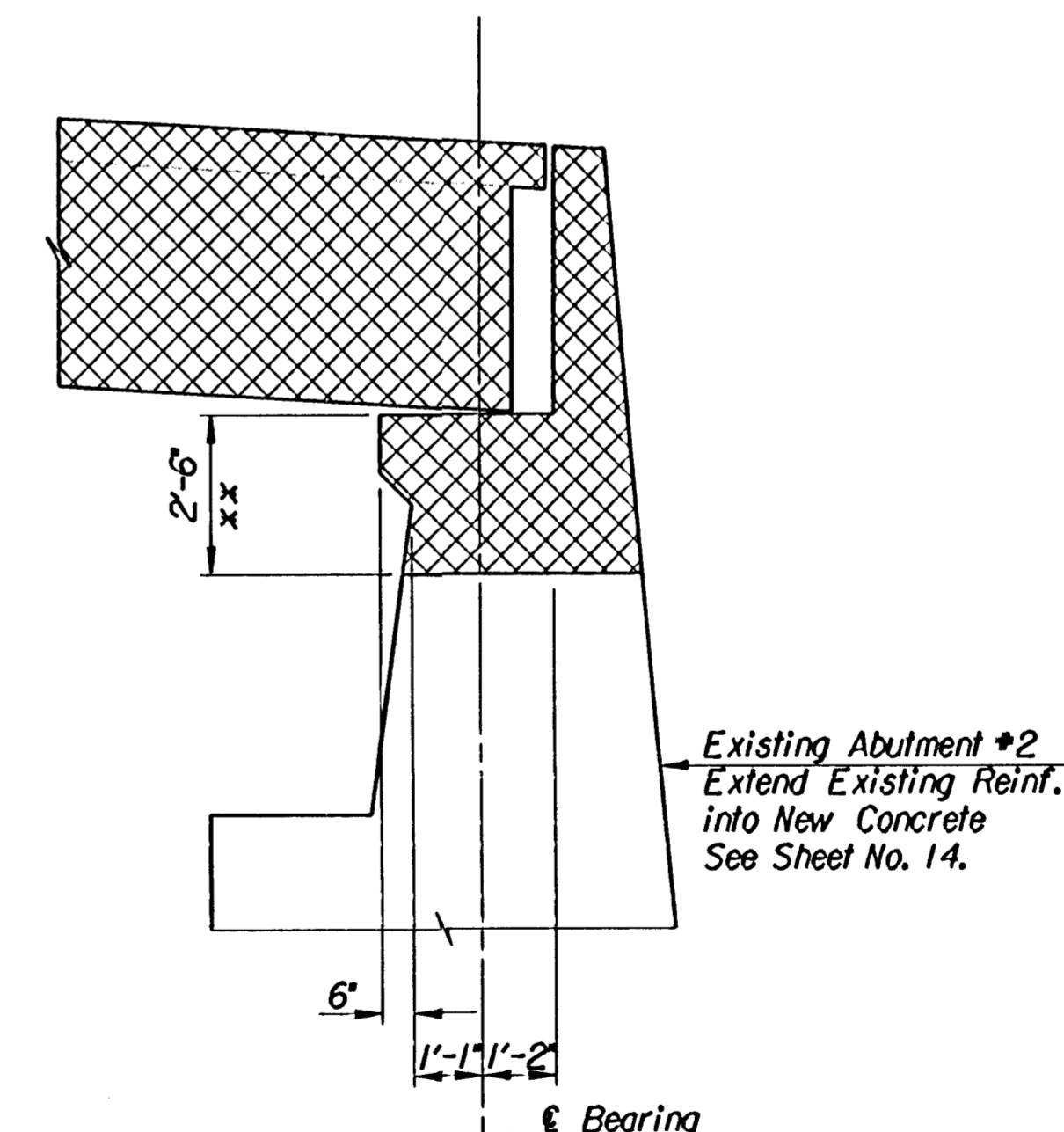
**ELEVATION ABUTMENT NO. 1**  
(Looking West)



**SECTION A-A**  
\* Remove and Replace 2'-6" of Existing Concrete above Cold Joint.



**ABUTMENT NO. 2 ELEVATION**  
(Looking East)



**SECTION B-B**  
\*\* Remove and Replace 2'-6" of Existing Concrete above Cold Joint.

**Legend**

Concrete Area to be Reconstructed or Removed

Cracks to be Pressure Grouted See Sheet No. 30.

No.	Revisions	By	Date
<p>CITY OF WICHITA, KANSAS          JAMES L. ARMOUR, P.E.-ACTING CITY ENGINEER          MURDOCK BRIDGE          OVER LITTLE ARKANSAS RIVER          ABUTMENT REMOVAL DETAILS</p> <p>CITY OF WICHITA PROJECT NO. 472-83895</p> <p><b>Professional Engineering Consultants, P.A.</b>          303 S. TOPEKA • WICHITA, KANSAS 67202          316-262-2691 • FAX 316-262-3003</p>			
Designed by	R.W.A.	Checked by	R.A.S.
Drawn by	W.L.L.	Date	July 2003 Job No. 96940-2

12/1996/96940/002/removal.dgn  
 drawn by: wil  
 plotted by: ras 3-27-2004