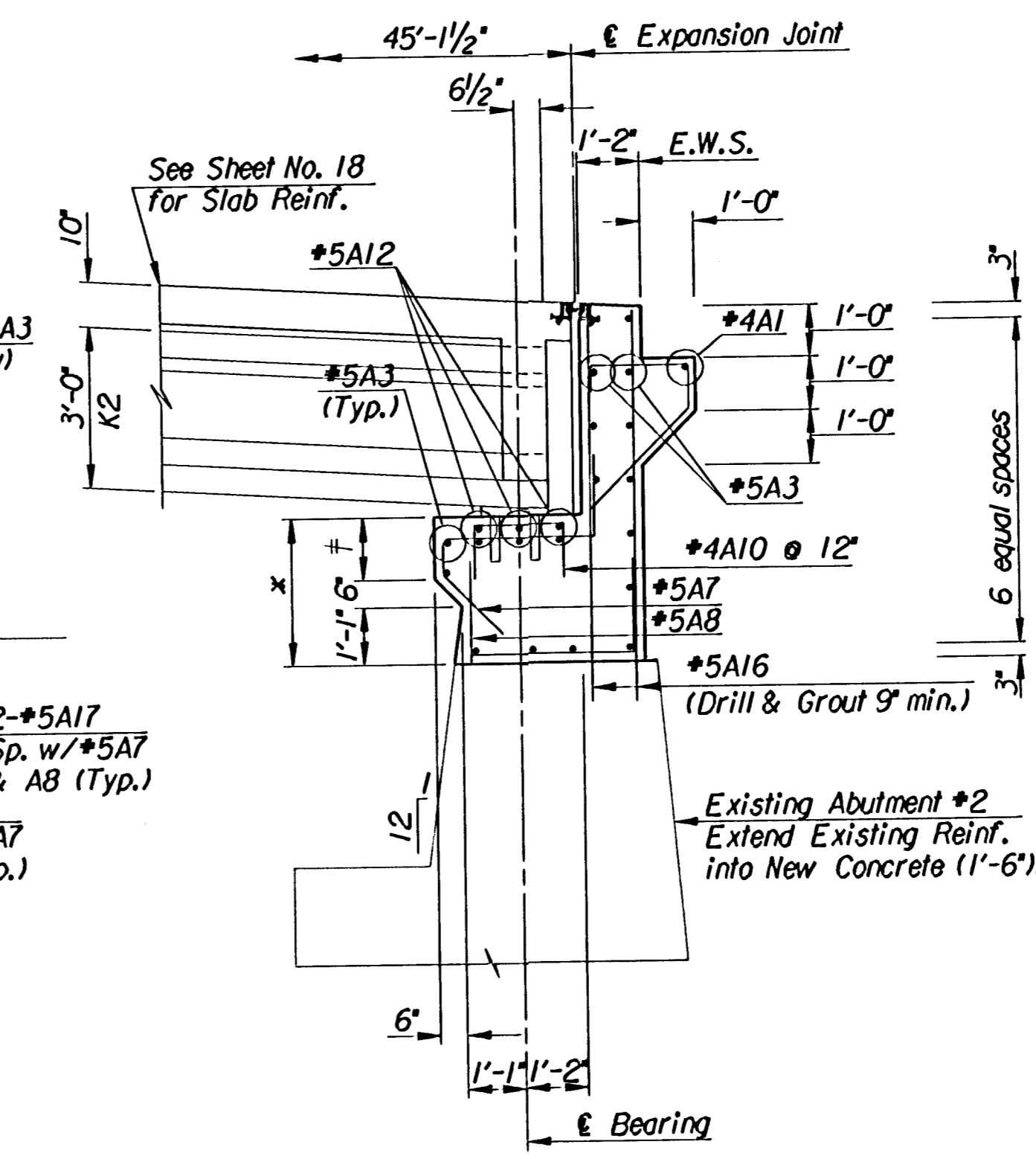
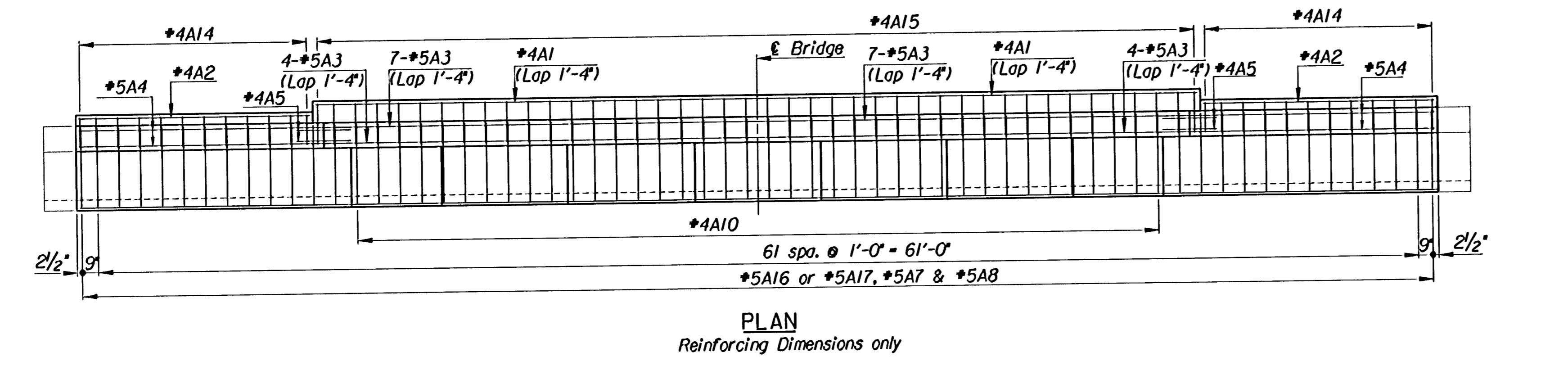
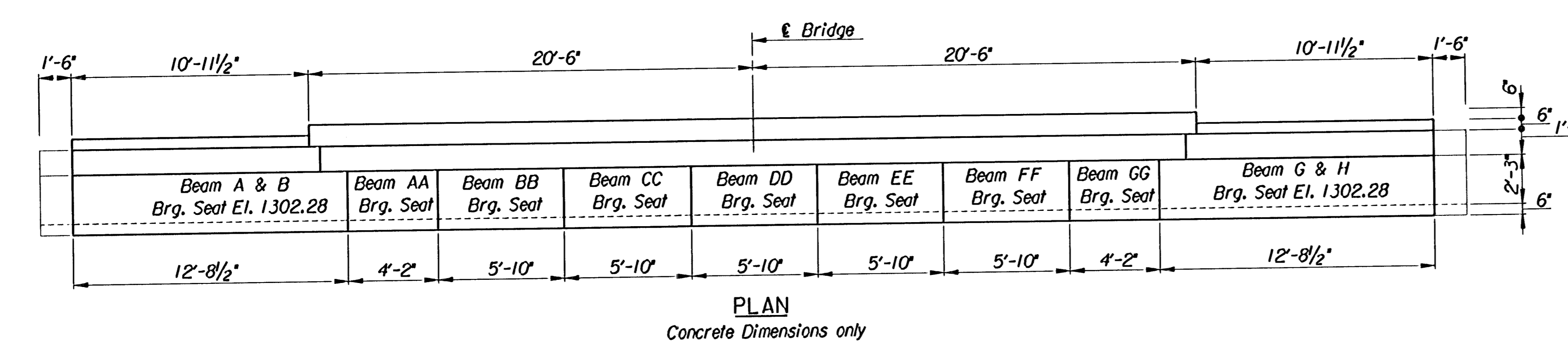
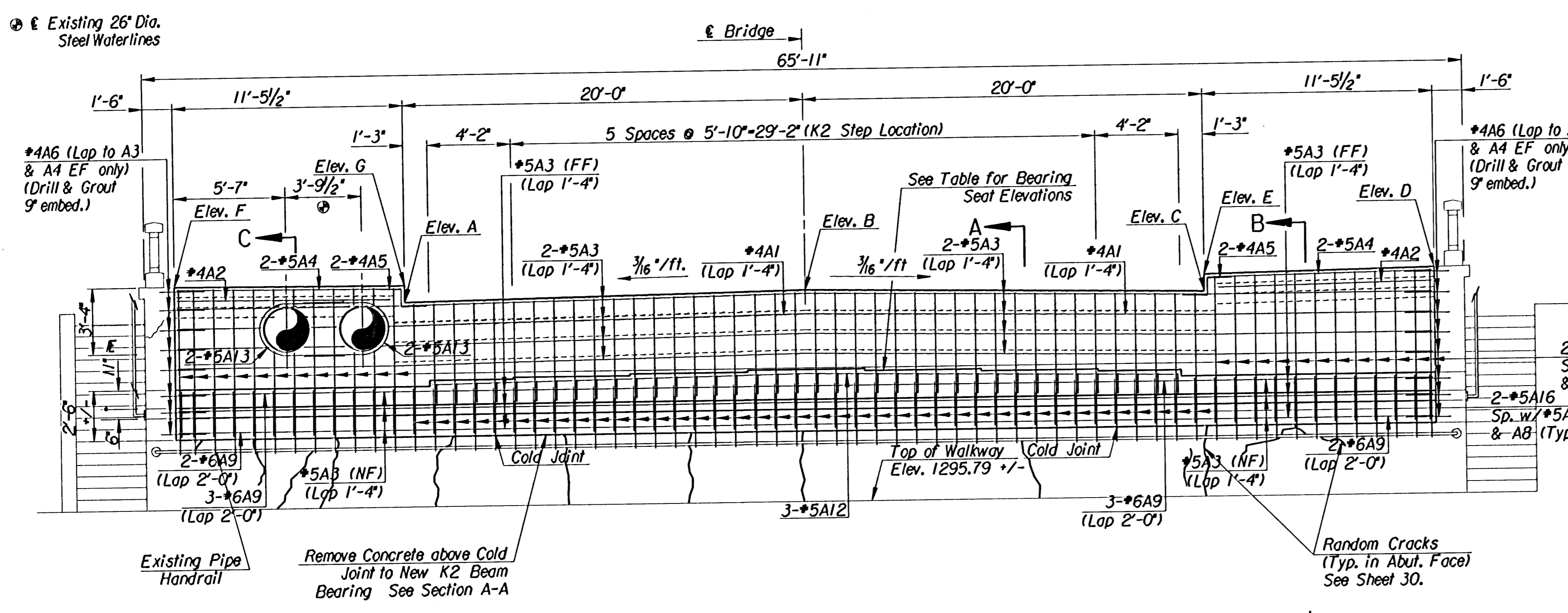


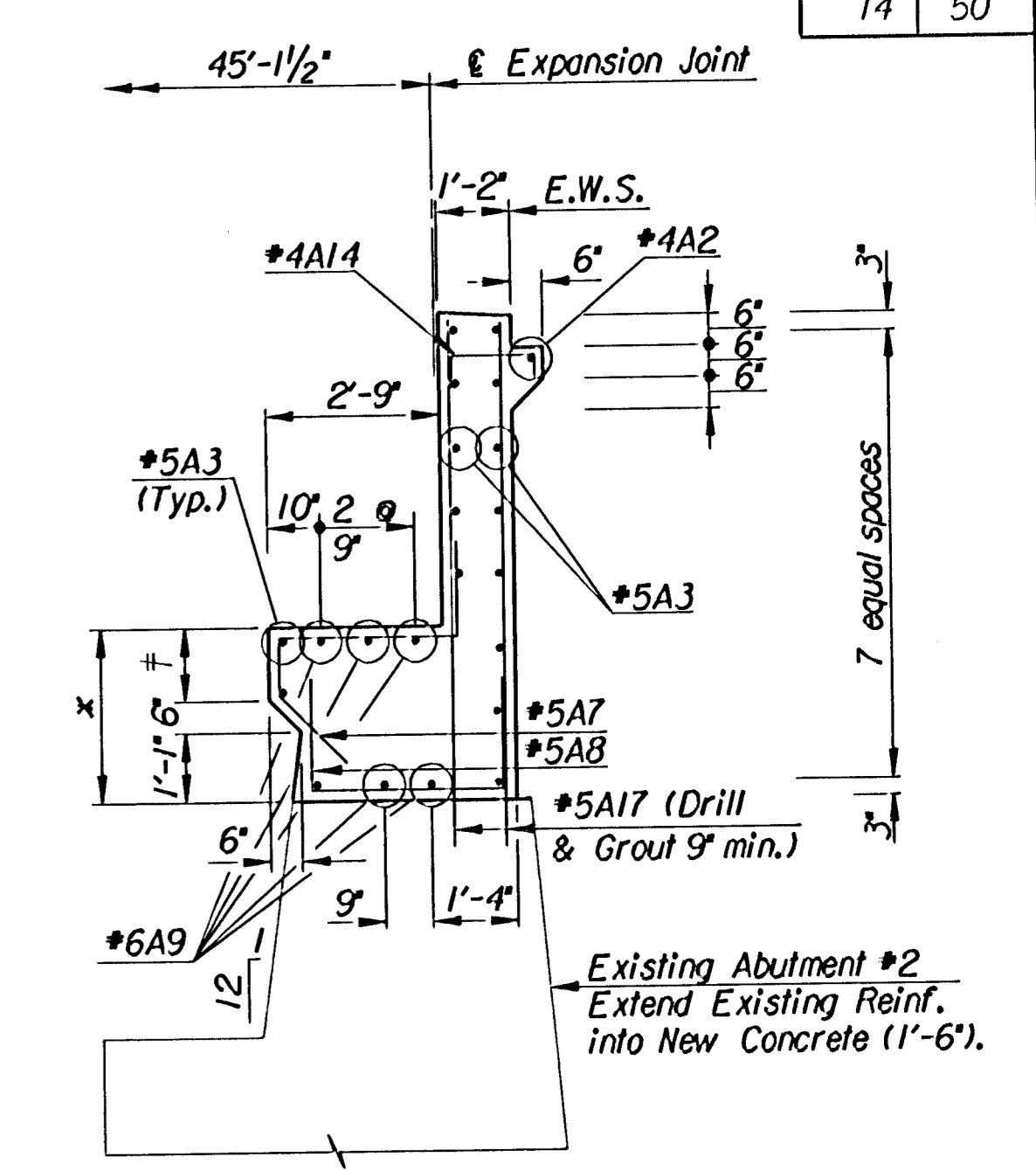
Existing 26" Dia. Steel Waterlines



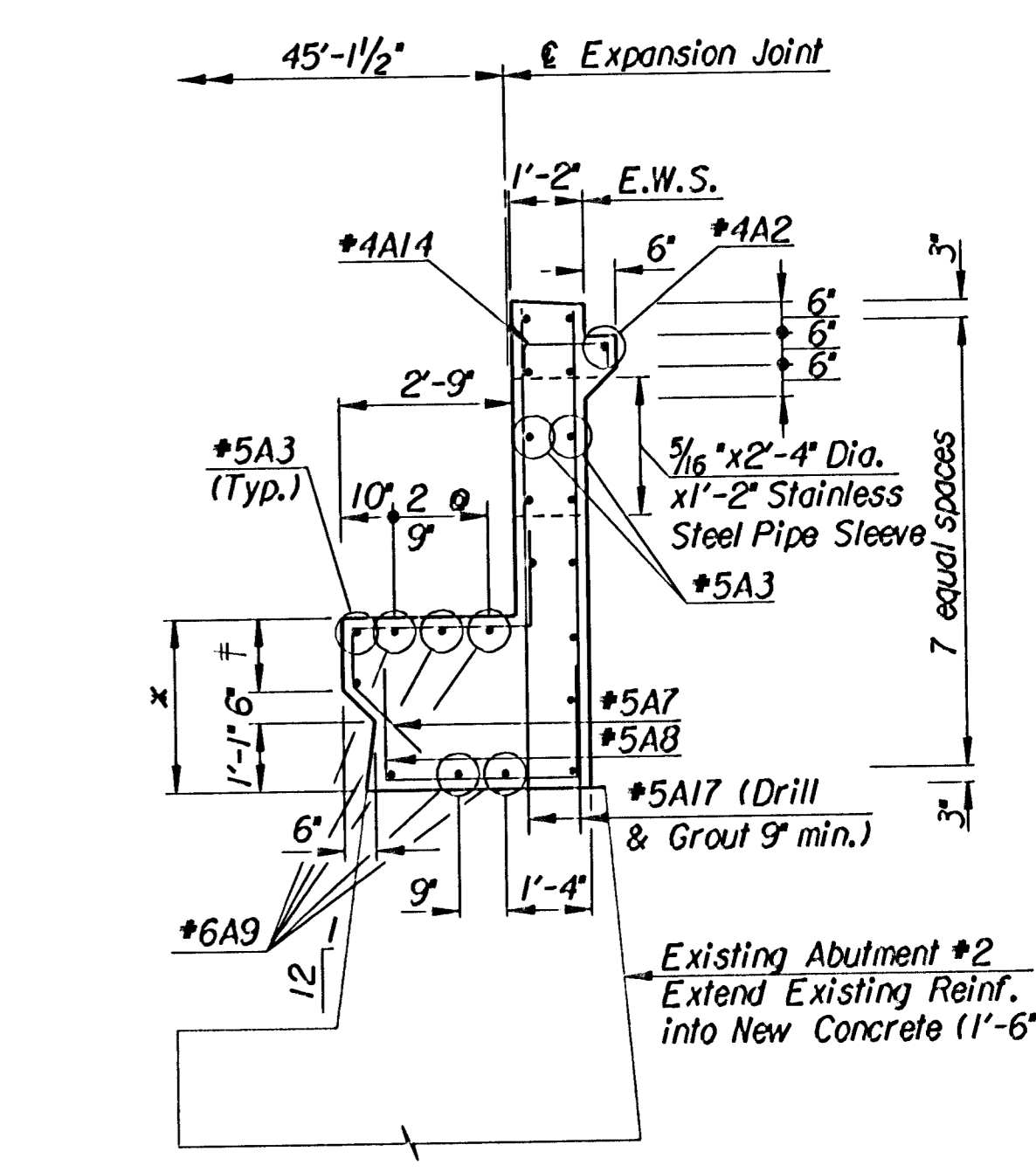
Place stainless steel pipe sleeve 5/16"x2'-4" diameter x 1'-2" for each 26" diameter waterline (Provide Type B Exp. Jt. Material between waterline and sleeve)

- LEGEND**
- Cracks to be Pressure Grouted See Sheet No. 30.
 - NF - Near Face
 - FF - Far Face
 - EF - Each Face
- Note:**
- Concrete repair areas to be as shown on the elevations or as directed by the Engineer. See Sheet No. 30 for Concrete Repair Procedures.
 - Dimensions and Elevations shown are based on field measurements and shall be verified by the Contractor
 - Abutment replacement areas to be paid for as "Class AAA Concrete (AE)" and "Reinforcing Steel (Grade 60)(Epoxy Coated)".

Location	Elevation
Elev. A @ E.W.S.	1306.48
Elev. B @ E.W.S.	1306.79
Elev. C @ E.W.S.	1306.48
Elev. D @ E.W.S.	1307.58
Elev. E @ E.W.S.	1307.42
Elev. F @ E.W.S.	1307.58
Elev. G @ E.W.S.	1307.42
Beam AA Brg. Seat	1302.59
Beam BB Brg. Seat	1302.68
Beam CC Brg. Seat	1302.77
Beam DD Brg. Seat	1302.86
Beam EE Brg. Seat	1302.77
Beam FF Brg. Seat	1302.68
Beam GG Brg. Seat	1302.59
Conc. Removal Line	1299.78



Remove and Replace 2'-6" min. of Existing Concrete above Cold Joint. † 11" minimum (see seat elev.)



Remove and Replace 2'-6" min. of Existing Concrete above Cold Joint. † 11" minimum (see seat elev.)

No.	Revisions	By	Date
CITY OF WICHITA, KANSAS JAMES L. ARMOUR, P.E. - ACTING CITY ENGINEER MURDOCK BRIDGE OVER LITTLE ARKANSAS RIVER ABUTMENT NO. 2 DETAILS CITY OF WICHITA PROJECT NO. 472-83895			
Professional Engineering Consultants, P.A. 303 S. TOPEKA • WICHITA, KANSAS 67202 316-262-2691 • FAX 316-262-3003			
Designed by	R.W.A.	Checked by	R.A.S.
Drawn by	W.L.L.	Date	March 2004 Job No. 96940-2

drawn by: wil
 plotted by: ras 3-27-2004
 11/1996/96940/002/off/techck/abut#2