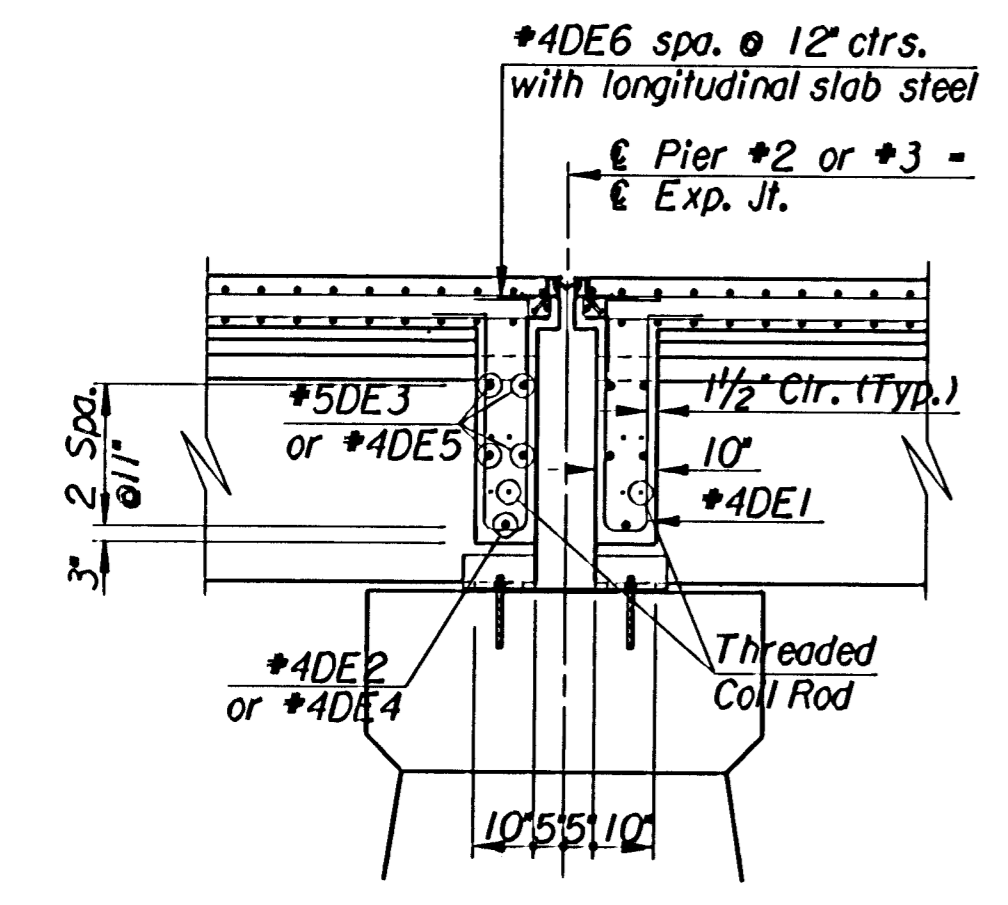
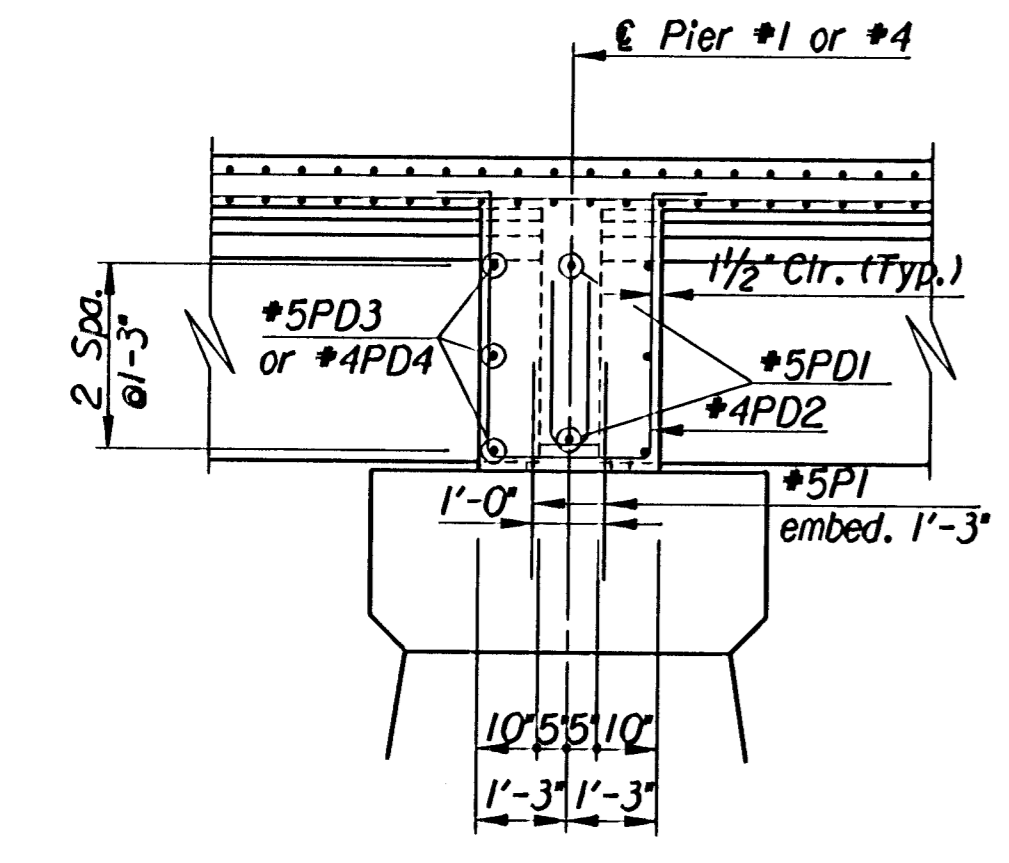


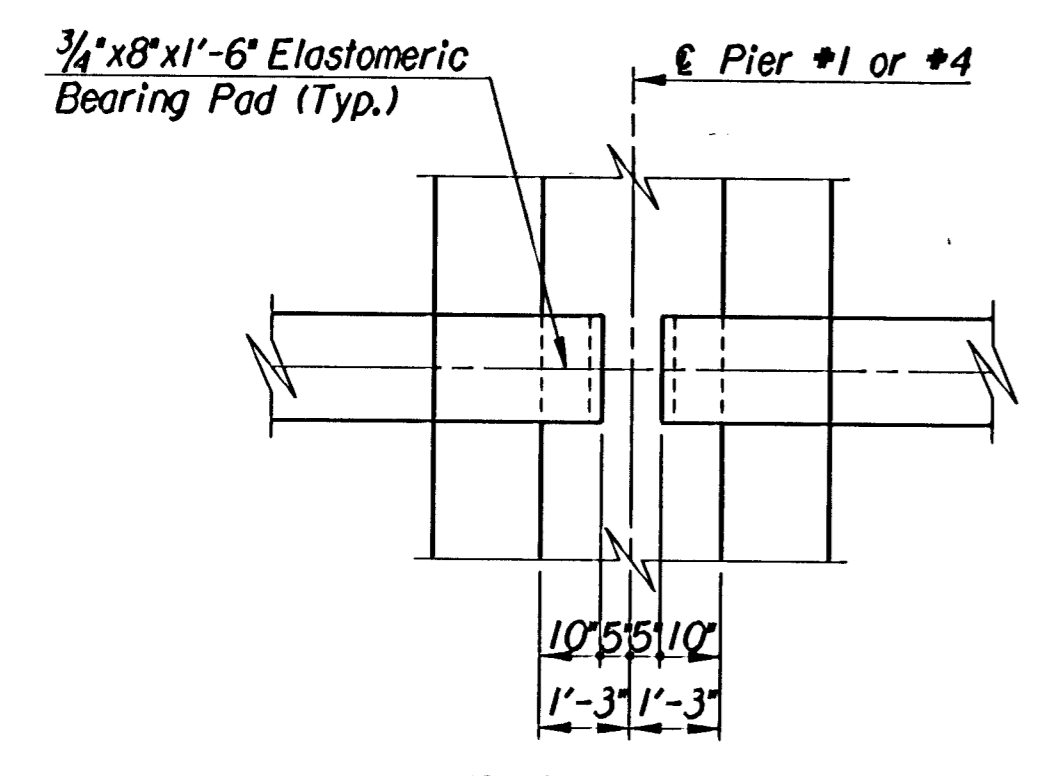
SECTION A-A



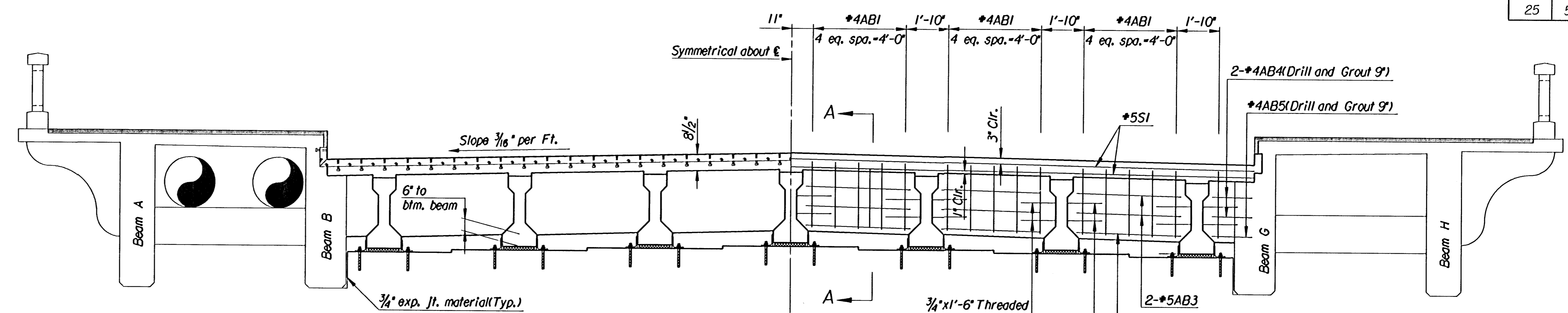
SECTION B-B



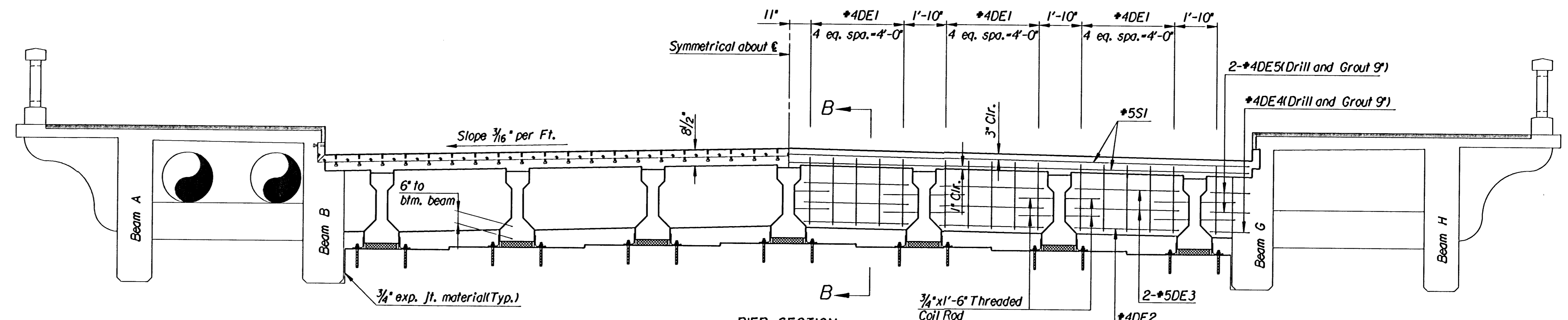
SECTION C-C



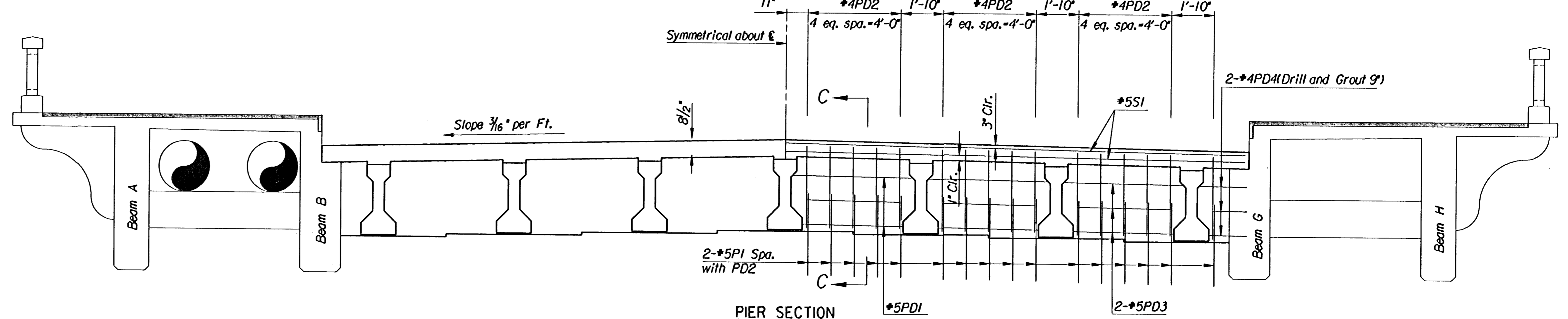
PARTIAL PLAN



ABUTMENT SECTION
Abut. #1 or #2



PIER SECTION
Pier #2 or #3



PIER SECTION
Pier #1 or #4

NOTE: Top of slab to top of K2 beam is 10" @ Abutment and Piers.

No.	Revisions	By	Date

CITY OF WICHITA, KANSAS
 JAMES L. ARMOUR, P.E.-ACTING CITY ENGINEER
 MURDOCK BRIDGE
 OVER LITTLE ARKANSAS RIVER
 DIAPHRAGM DETAILS
 CITY OF WICHITA PROJECT NO. 472-83895

Professional Engineering Consultants, P.A.
 303 S. TOPEKA • WICHITA, KANSAS 67202
 316-262-2691 • FAX 316-262-3003

Designed by	R.W.A.	Checked by	R.A.S.
Drawn by	MAF	Date	July 2003 Job No. 96940-2

12/1996/96940/002/diaphragm.dgn
 drawn by: ras
 plotted by: ras 3-27-2004