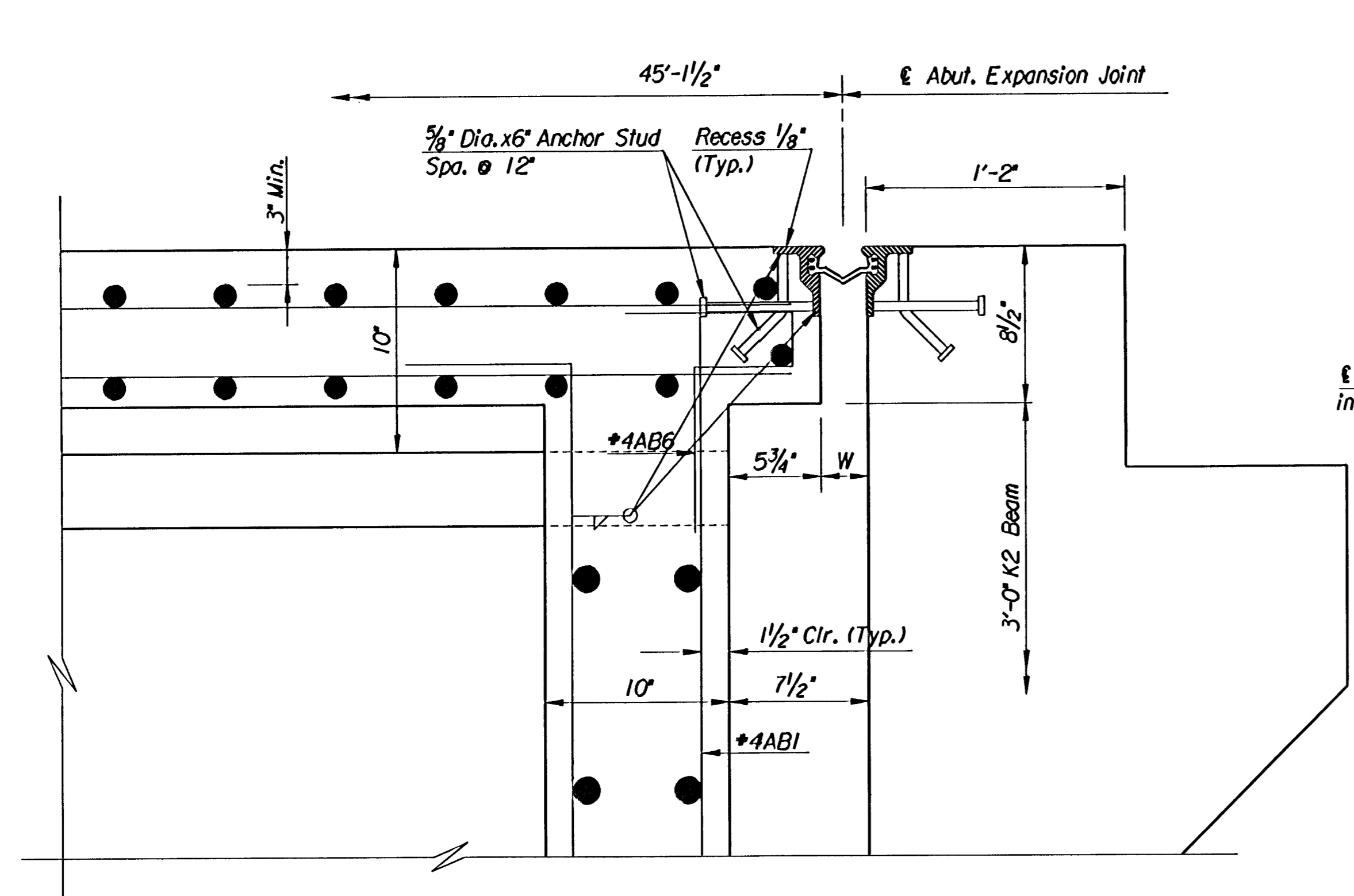
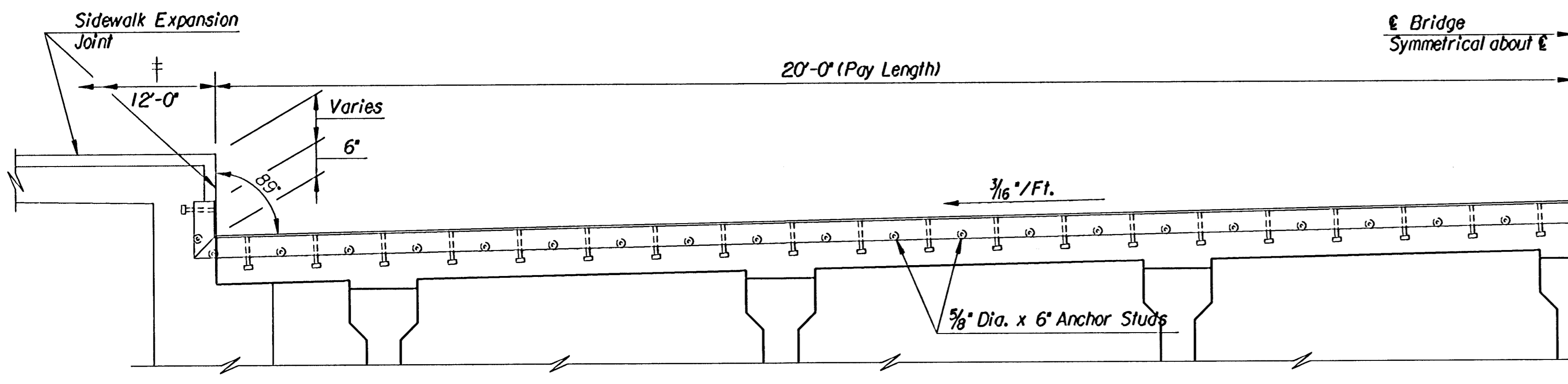


TABLE OF DIMENSIONS							
Temperature	30°	40°	50°	60°	70°	80°	90°
Dimension "W"	1 ³ / ₁₆ "	1 ⁷ / ₁₆ "	1 ¹¹ / ₁₆ "	1 ¹ / ₄ "	1 ¹ / ₂ "	1 ⁵ / ₈ "	1 ⁷ / ₈ "

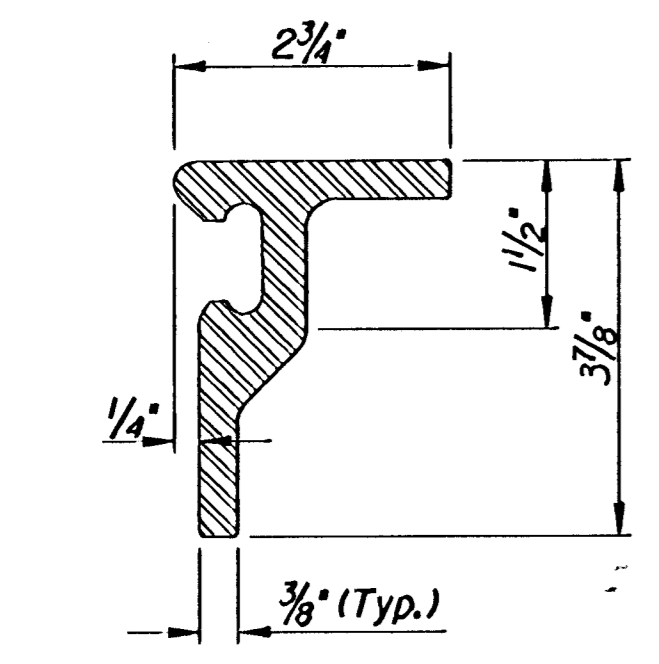


DETAIL B

† Sidewalk Expansion Joint pay length along & joints to roadway face of rail.

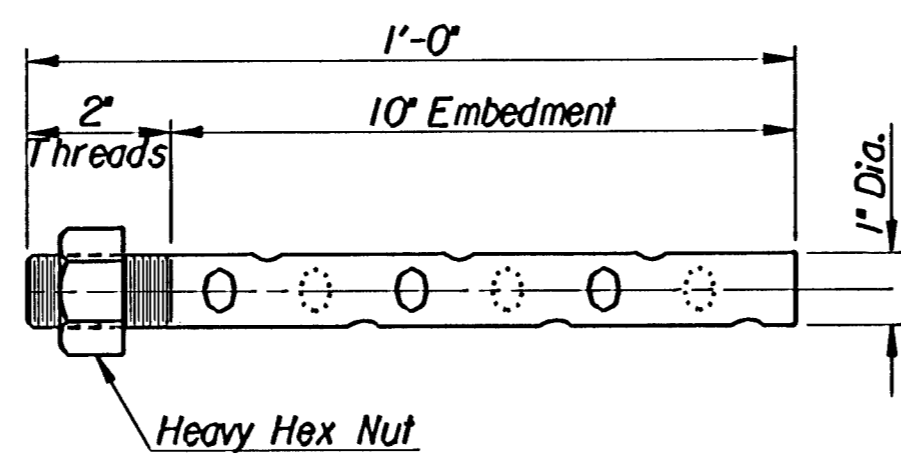


PARTIAL ELEVATION



STEEL EXTRUSION DETAIL

Note:
The nominal dimensions shown are suggested dimensions only. The Contractor may select alternate shapes for the Steel Extrusion. Details for Proposed alternate shapes shall be submitted to the Engineer for approval prior to fabrication.
The Contractor shall show on the Shop Plans his Proposed Method of supporting the Expansion Device during placement and curing of the Deck Concrete.



SWEDGE ANCHOR BOLT
(28 Required Each Abutment)
(Subsidiary to Elastomeric Bearing Device)

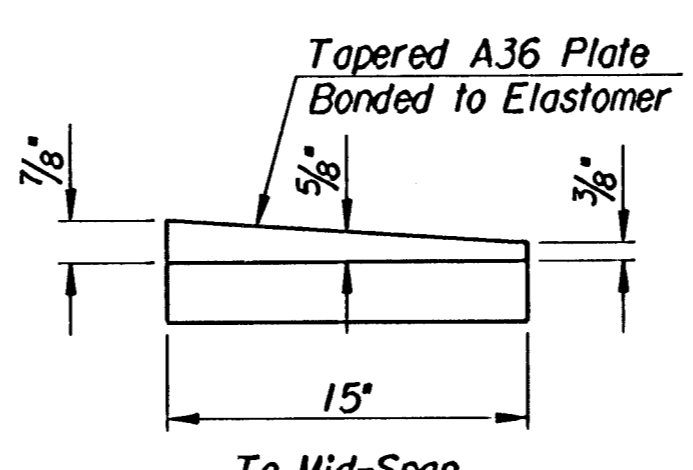
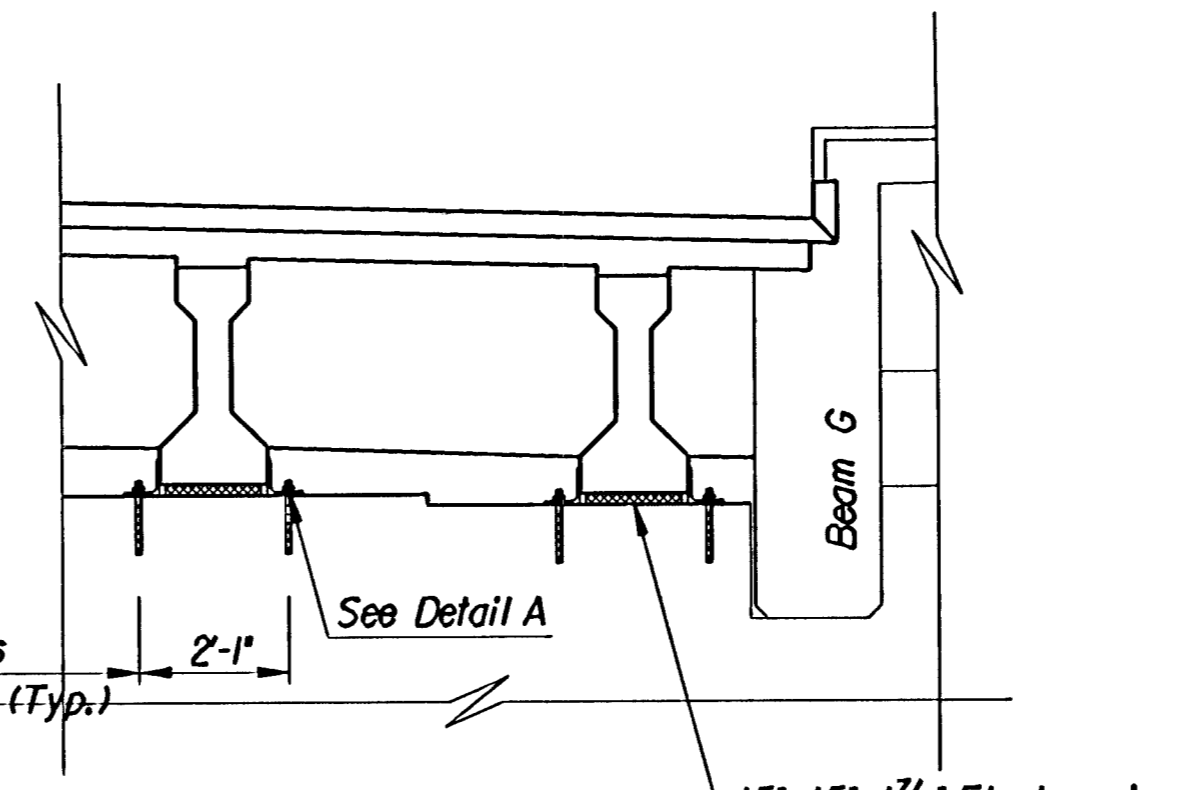
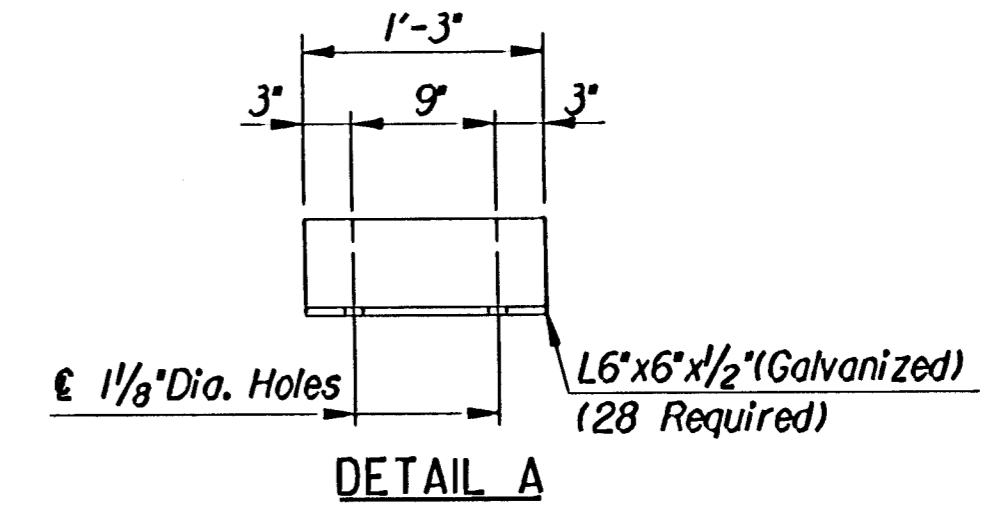


PLATE DETAIL



ABUTMENT DIAPHRAGM ELEVATION

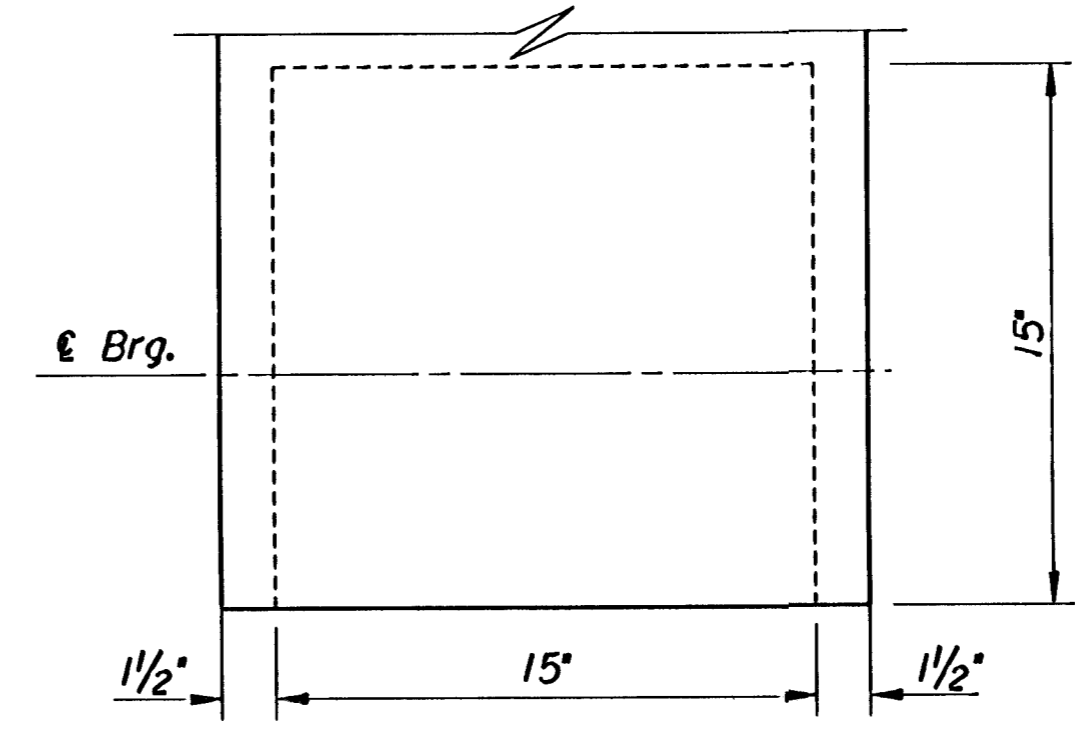
ELASTOMERIC BEARING DEVICE: The Device shall consist of 2 layers of 1/2" elastomer of durometer hardness 60. These layers shall be separated by a 1/4" steel strip (A709 Gr. 36). See Special Provisions of K.D.O.T. Specifications.



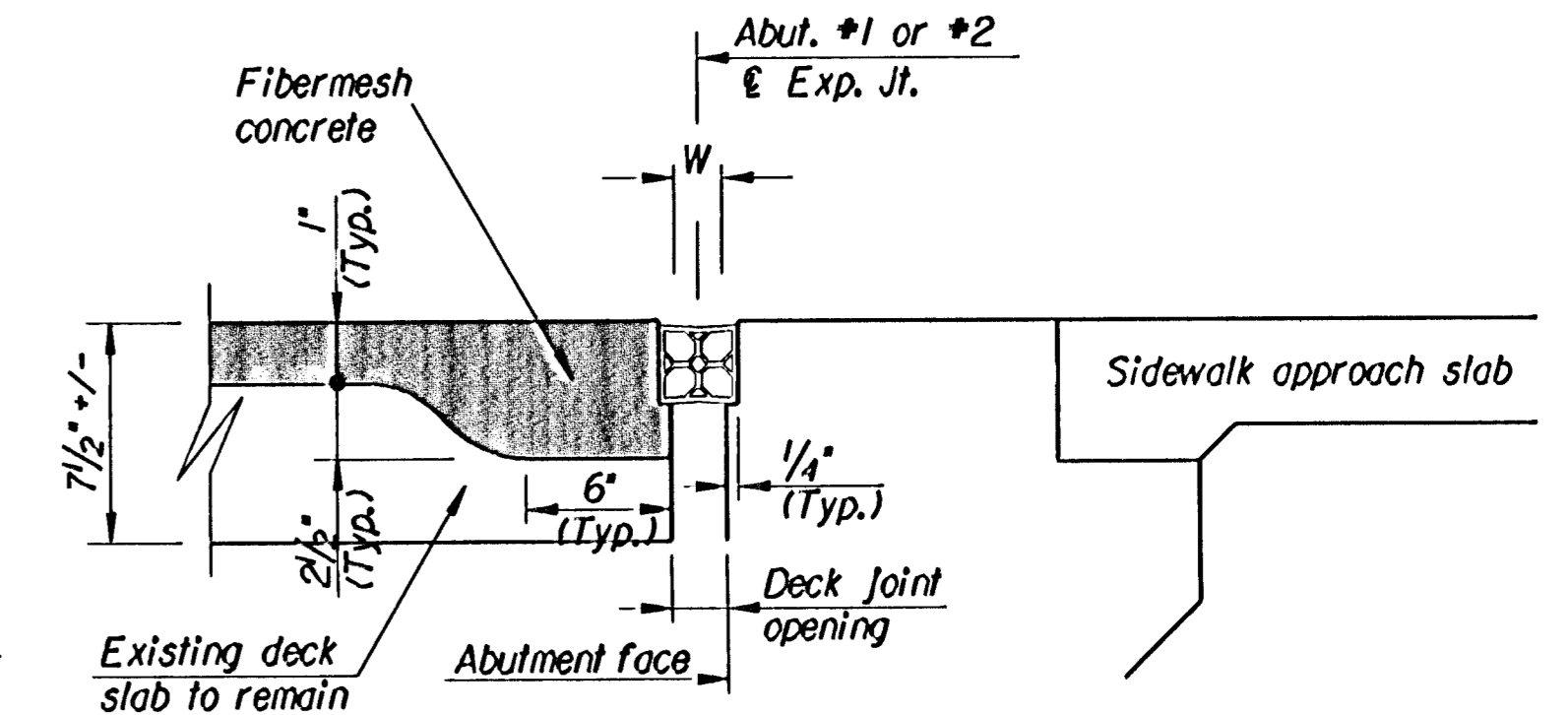
DETAIL A

STRIP SEAL ASSEMBLY: The Strip Seal Assembly shall conform to KDOT Specifications for "Strip Seal Assembly (Type 1)" and shall accommodate a total movement of at least 4 inches. Structural Steel shall conform to ASTM A709 GR. 36 unless otherwise noted. The Assembly shall be installed to match the Roadway Grade and Cross Slope. Material for the wedge grips shall be solid extruded or hot rolled steel. No ASTM A588 steel or aluminum will be allowed. All Steel Plate Armoring material and installation shall be subsidiary to "Strip Seal Assembly."

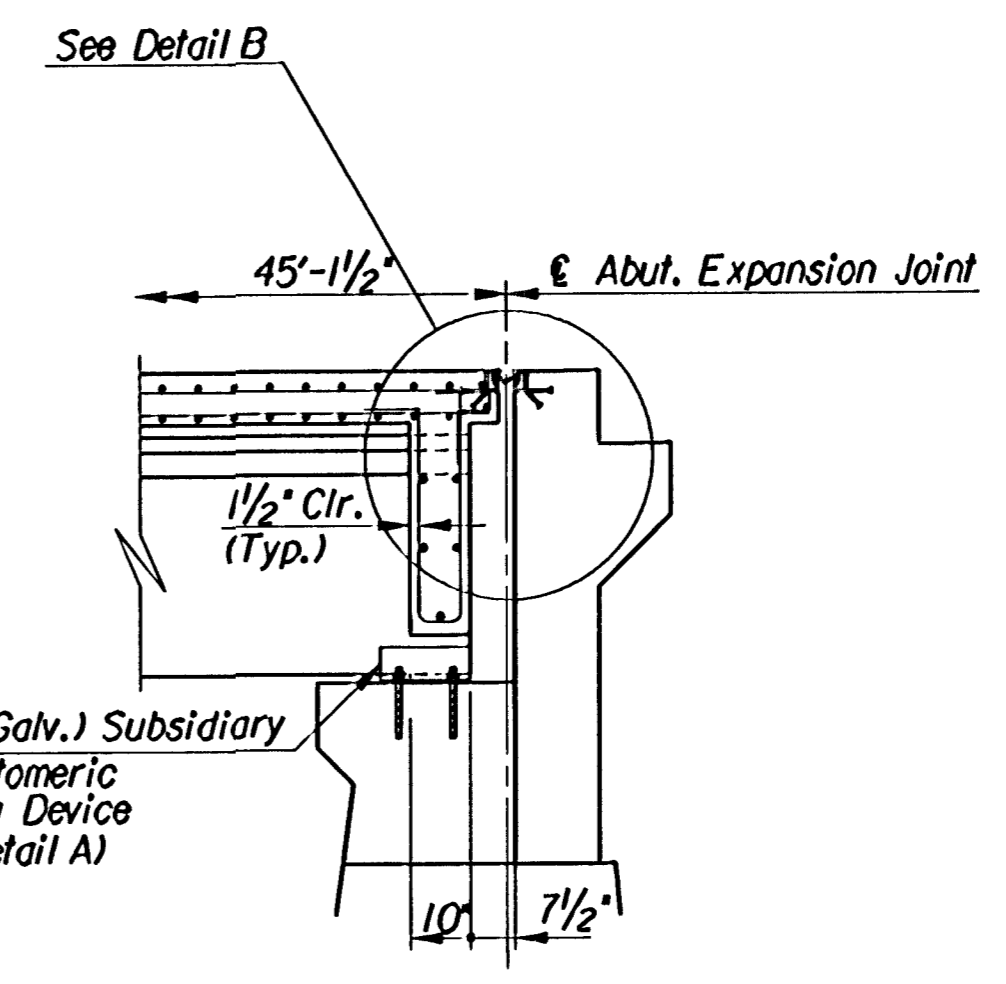
PREFORMED ANCHOR BOLT HOLES: The Contractor shall preform, at the locations shown, 2 1/2" diameter holes with roughened inside surfaces. The preforming method shall be approved by the Engineer. The preformed holes shall be sealed in such a manner that water will not accumulate in the holes and freeze prior to the time of grouting the anchor bolts. The holes shall also be free of water or foreign materials at the time of grouting. This work shall be subsidiary to Class AAA (AE) Concrete.



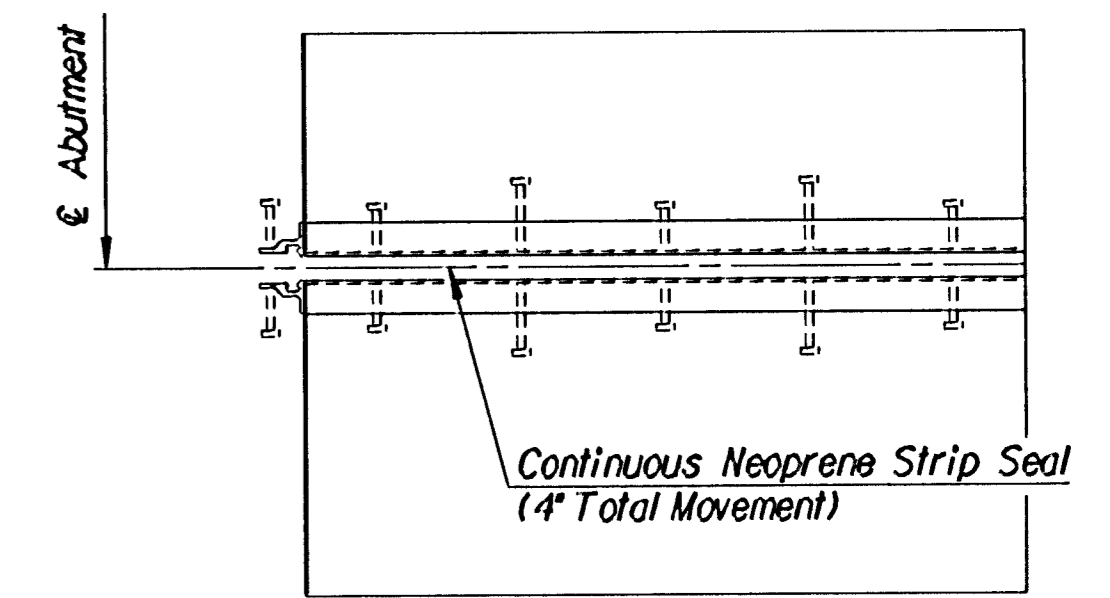
BEAM END PLAN
15" x 15" x 1 7/8" Elastomeric Bearing Device



PROPOSED SIDEWALK JOINT
N.T.S.



SECTION THRU ABUTMENT DIAPHRAGM



PARTIAL PLAN

No.	Revisions	By	Date
CITY OF WICHITA, KANSAS JAMES L. ARMOUR, P.E., ACTING CITY ENGINEER MURDOCK BRIDGE OVER LITTLE ARKANSAS RIVER EXPANSION JOINT ABUTMENT DETAILS CITY OF WICHITA PROJECT NO. 472-83895			
Professional Engineering Consultants, P.A. 300 S. TOPERA • WICHITA, KANSAS 67202 316-262-2691 • FAX 316-262-3003			
Designed by	R.A.S.	Checked by	R.A.S.
Drawn by	MAF	Date	March 2004
		Job No.	96940-2