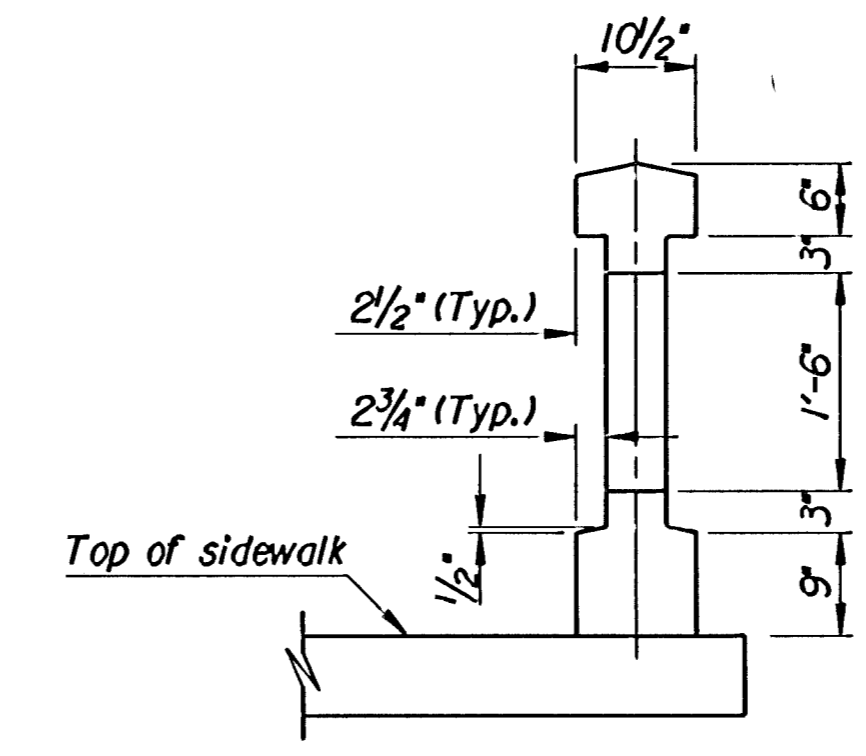
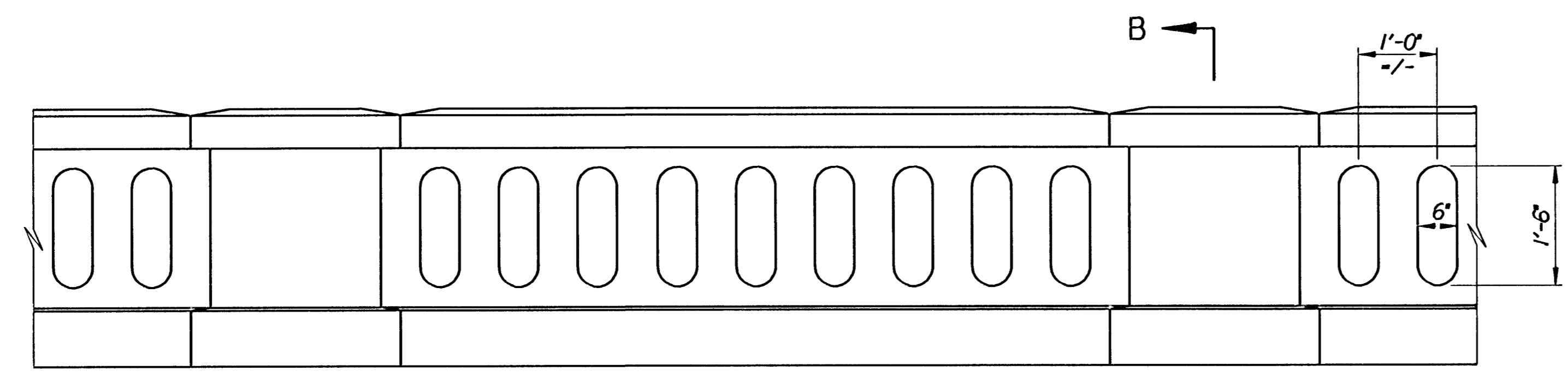


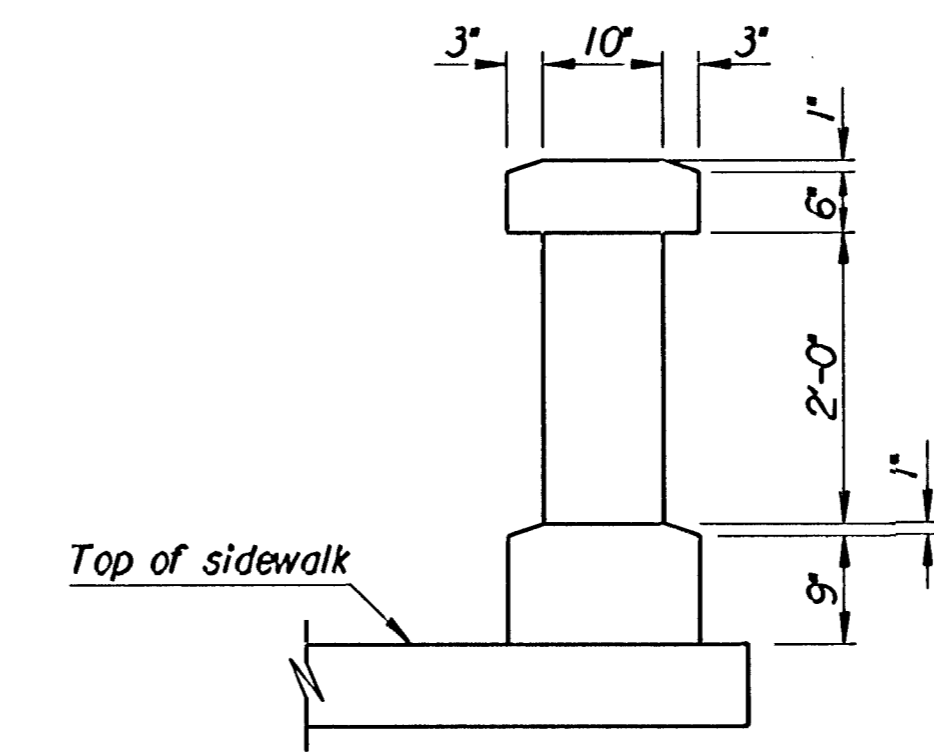
ELEVATION OF CENTER PANELS



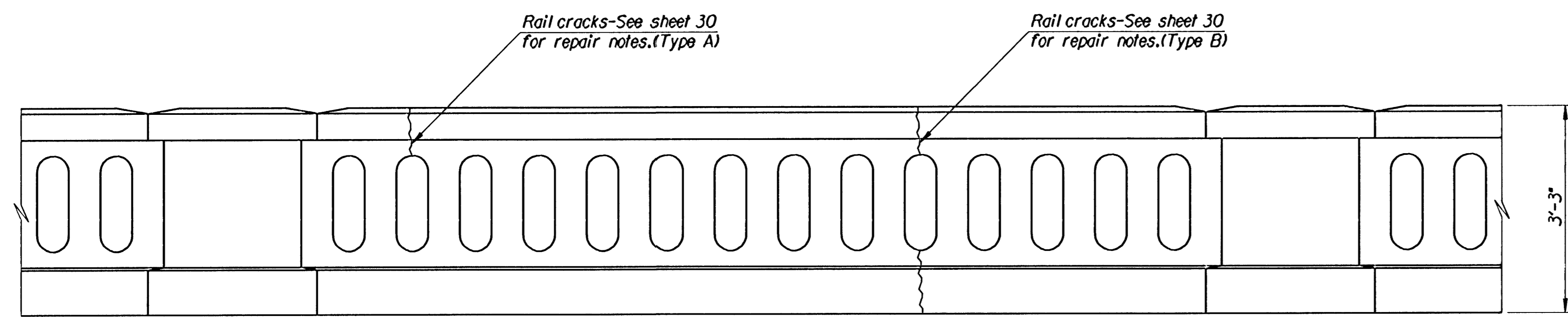
SECTION A-A



ELEVATION OF TYPICAL PANELS




SECTION B-B



DEVELOPED ELEVATION OF WALKOUT PANEL

Note: See sheet 30 for rail repair procedures.

12/1996/96940/002/offsetcheck/rail.dgn
 drawn by: wll
 plotted by: ras 1-27-2004

No.	Revisions	By	Date
CITY OF WICHITA, KANSAS JAMES L. ARMOUR, P.E.-ACTING CITY ENGINEER MURDOCK BRIDGE OVER LITTLE ARKANSAS RIVER RAIL DETAILS CITY OF WICHITA PROJECT NO. 472-83895			
 Professional Engineering Consultants, P.A. 303 S. TOPEKA • WICHITA, KANSAS 67202 316-262-2691 • FAX 316-262-3003			
Designed by	R.W.A.	Checked by	R.A.S.
Drawn by	W.L.L.	Date	July 2003 Job No. 96940-2