

LIGHTING FIXTURE SCHEDULE (P.E.C.)

FIXT LTR.	MANUFACTURER CATALOG NUMBER	MANUFACTURER CATALOG NUMBER	MANUFACTURER CATALOG NUMBER	MANUFACTURER CATALOG NUMBER	DESCRIPTION SEE NOTES	LAMP TYPE		LENS/LOUVER/FINISH	W	L	D
						NO.	VOLTS				
①② P	ANTIQUE STREET LAMPS, INC.				POST TOP	1	240				

- ① MANUFACTURERS LISTED IN THIS SCHEDULE WILL BE THE ONLY APPROVED MANUFACTURERS TO BID THE LIGHTING FIXTURES FOR THIS PROJECT. CONTRACTORS AND SUPPLIERS USING PRICING FROM MANUFACTURERS NOT LISTED ON SCHEDULE DO SO AT THEIR OWN RISK.
- ② CATALOG NUMBER: WLT30 PC/BKS150/240-11 WITH POLE #D11/15-C1/BK

GENERAL NOTES

- ALL ELECTRICAL WORK SHALL COMPLY WITH THE LATEST EDITION OF THE NATIONAL ELECTRICAL CODE (NEC) & THE AMERICANS WITH DISABILITIES ACT (ADA).
- REFER TO RELATED ARCHITECTURAL, AND STRUCTURAL DRAWINGS FOR RELATED INFORMATION.
- REFER TO THE SPECIFICATIONS FOR DATA NOT ON THE DRAWINGS.
- CONDUIT RUN W/CONDUCTORS AS INDICATED & GROUND WIRE SIZED PER N.E.C. 250-122 (1999). CONDUIT SIZE AS REQUIRED.
- WHEN INCREASED CONDUCTOR SIZES ARE SHOWN ON THE PLANS, THE LARGER CONDUCTOR SIZE SHALL BE USED THROUGHOUT THE LENGTH OF THE CIRCUIT, INCLUDING NEUTRAL AND GROUND.

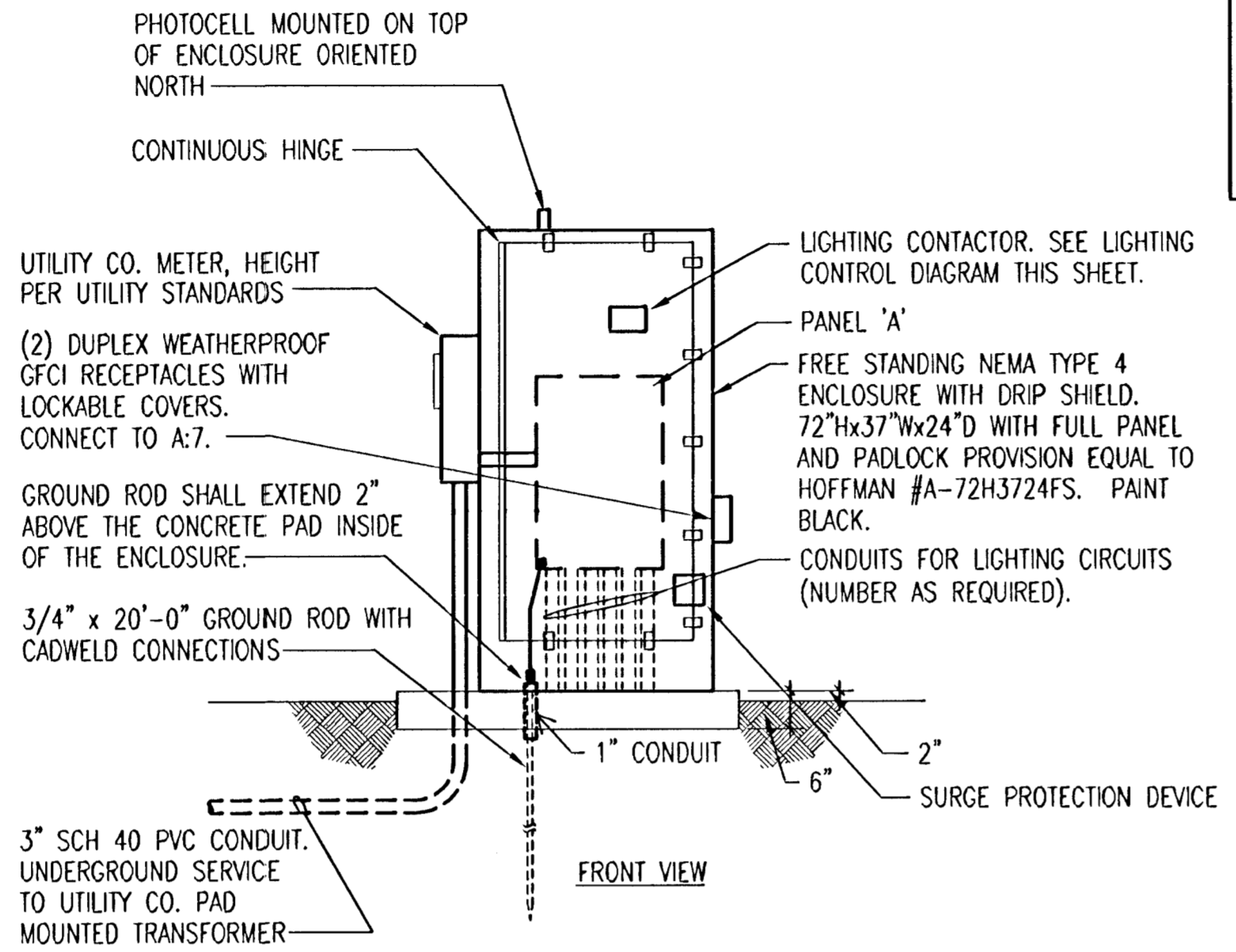
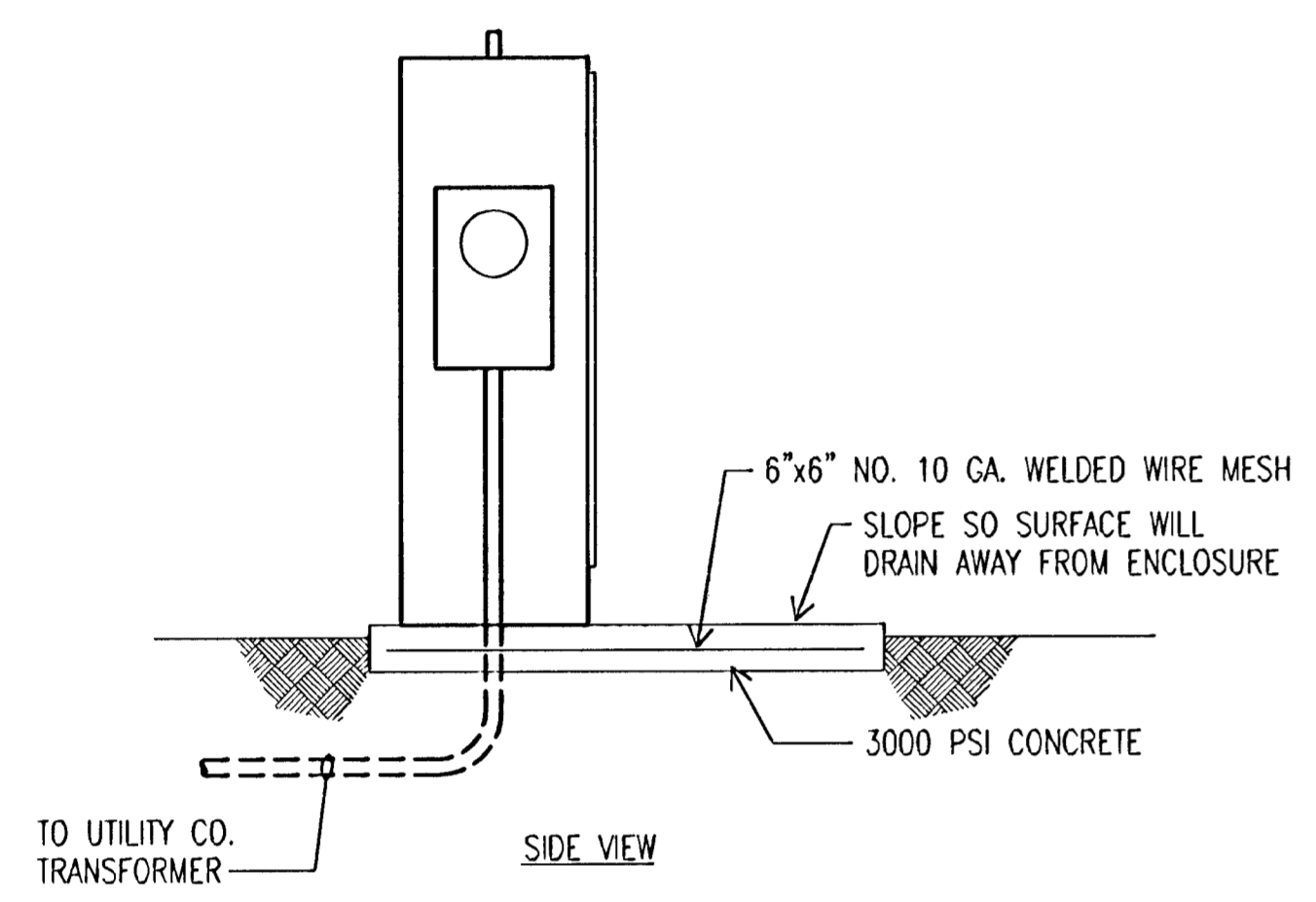
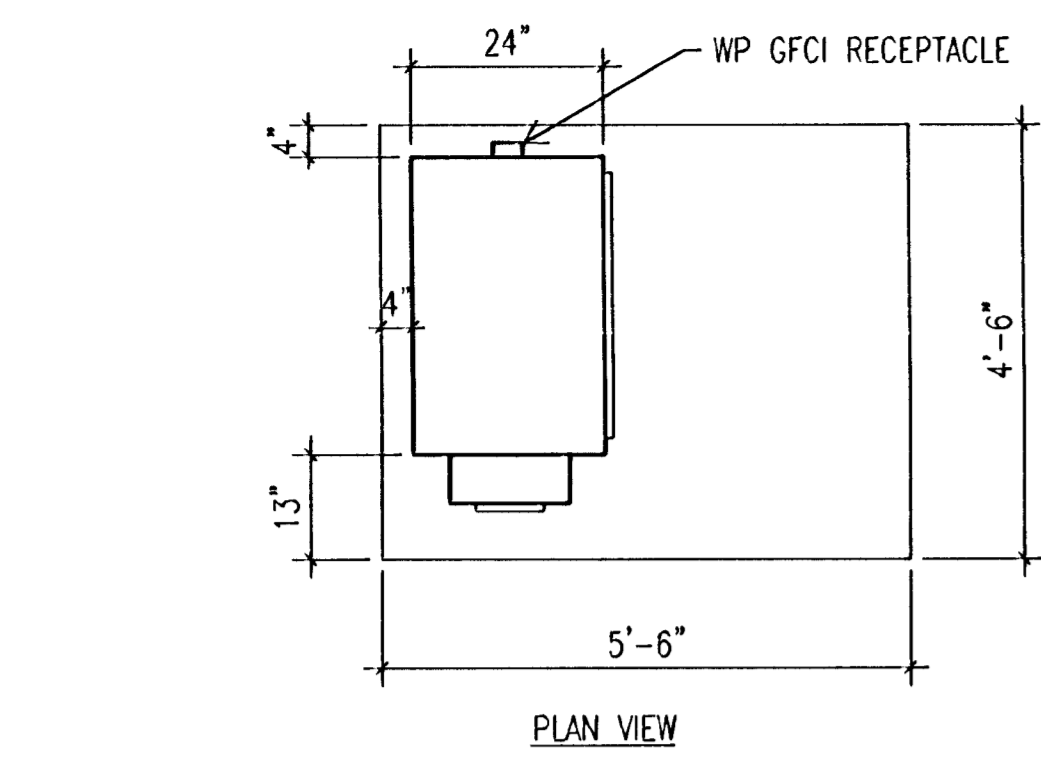
SYMBOL LIST

SYMBOL	DESCRIPTION	MOUNTING
○ _A	LIGHT FIXTURE & FIXTURE LETTER	POLE
⚡	SEE GENERAL NOTE 4 AND NOTE 5	
UGP	UNDERGROUND PRIMARY	

PANEL A

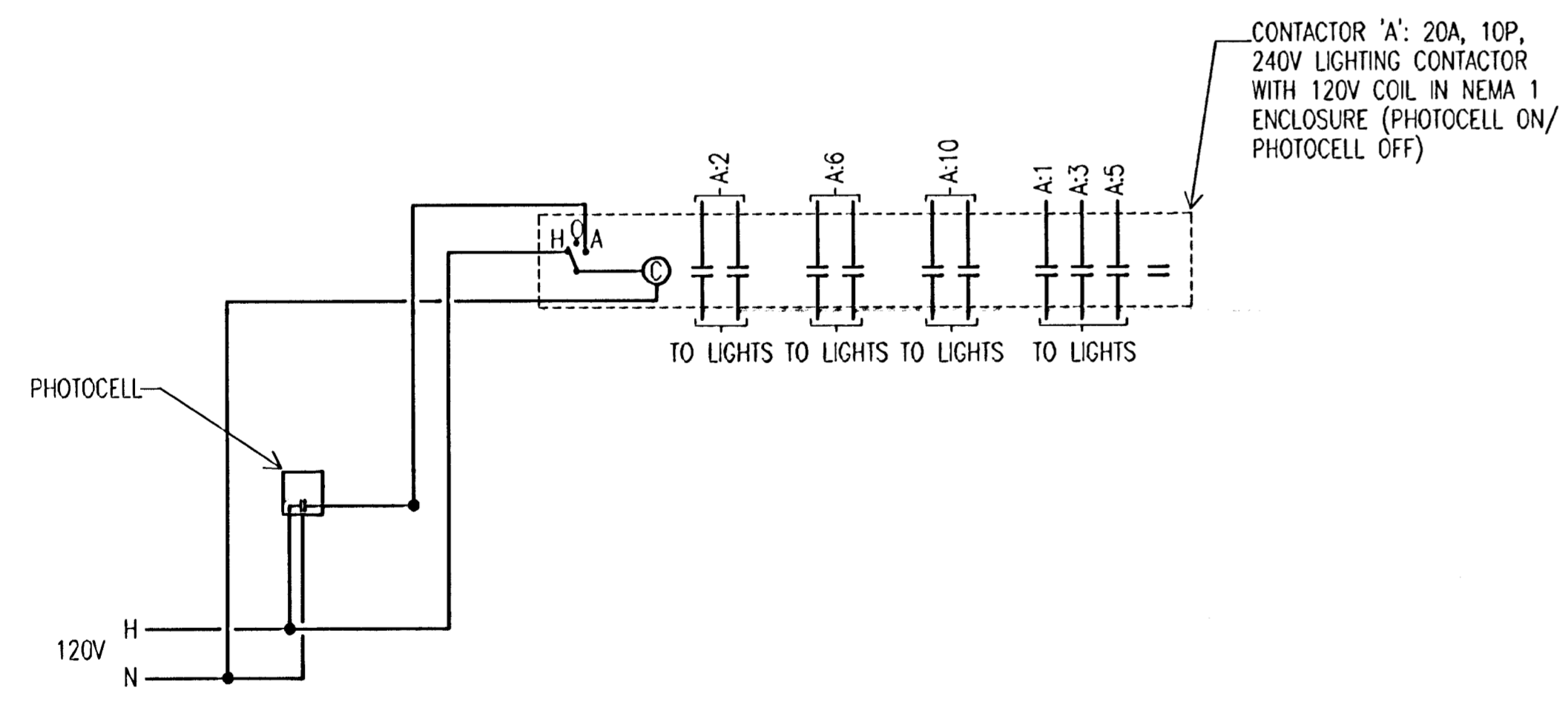
240/120 VOLTS, 1 PHASE, 3 WIRE
100 AMP MAIN BKR
10000 AIC LABELED

CIR. NO.	LOAD V. A.	LOAD TYPE	DESCRIPTION	AMP SIZE	WIRE SIZE	LOAD TYPE	DESCRIPTION	AMP SIZE	WIRE SIZE	CIR. NO.
1	740	EXIST.	EXIST. PATH LIGHTS	1	20	EXIST.	SITE POLE	1	20	2
3	749	EXIST.	EXIST. PATH LIGHTS	1	20					4
5	856	EXIST.	EXIST. PATH LIGHTS	1	20	2	N. BRIDGE POLES	1	20	6
7	400	REC. & LTG. CON		1	20	2	S. BRIDGE POLES	1	20	8
9		SPARE		1	20	1				10
11		SPARE		1	20	1				12
13		SPARE		1	20	1				14
15		SPARE		1	20	1				16
17		SPARE		1	20	1				18
19		SPACE								20
21		SPACE								22
23		SPACE								24
25		SPACE								26
27		SPACE				2	SURGE PROTECT.			28
29		SPACE								30



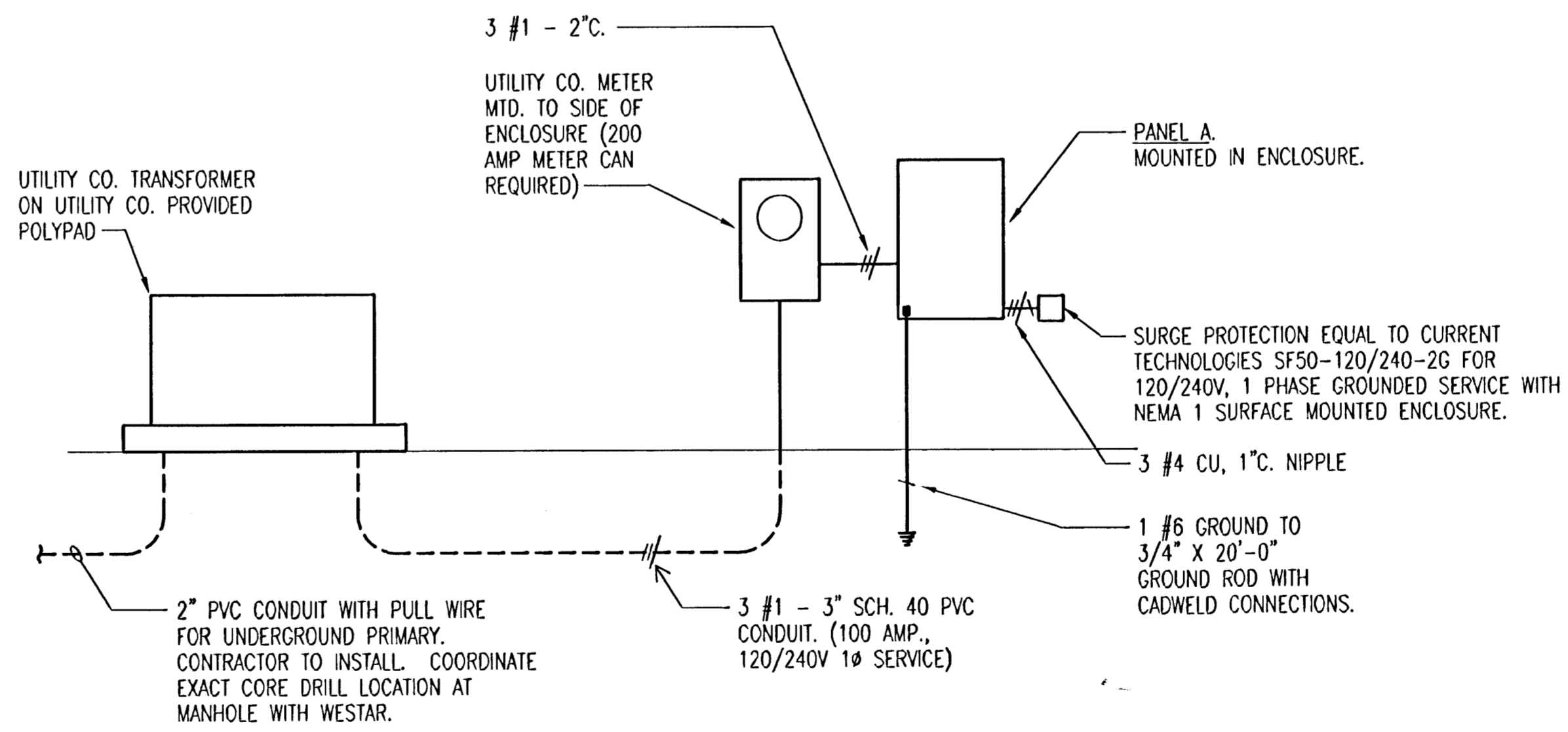
SERVICE ENCLOSURE DETAIL

NO SCALE



LIGHTING CONTROL DIAGRAM

NO SCALE



RISER DIAGRAM

NO SCALE

SEE SERVICE ENCLOSURE DETAIL ABOVE FOR MOUNTING INFORMATION

DSNR: DH OPER. REF. SCALE: 1=48.00 J:\SENTOUT\1986\96940\DWG\32-Electrical Schedules 03-26-2004 10:49:36 am



Revisions: _____ By: _____ Date: _____

CITY OF WICHITA, KANSAS
JAMES L. ARMOUR, P.E. - ACTING CITY ENGINEER
MURDOCK BRIDGE
OVER LITTLE ARKANSAS RIVER
ELECTRICAL SCHEDULES
CITY OF WICHITA PROJECT NO. 472-83895

Professional Engineering Consultants, P.A.
303 S. TOPEKA - WICHITA, KANSAS 67202
316-262-2691 • FAX 316-262-3003

Designed by DCG Checked by _____
Drawn by MDB Date JULY 2003 Job No. 96940-2