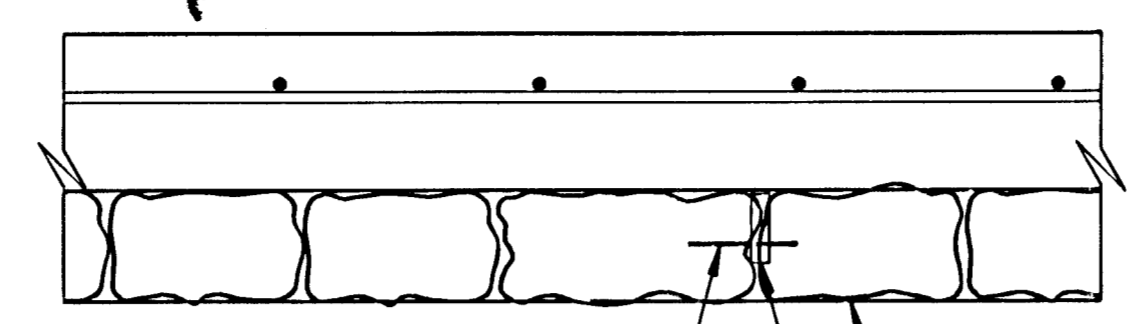


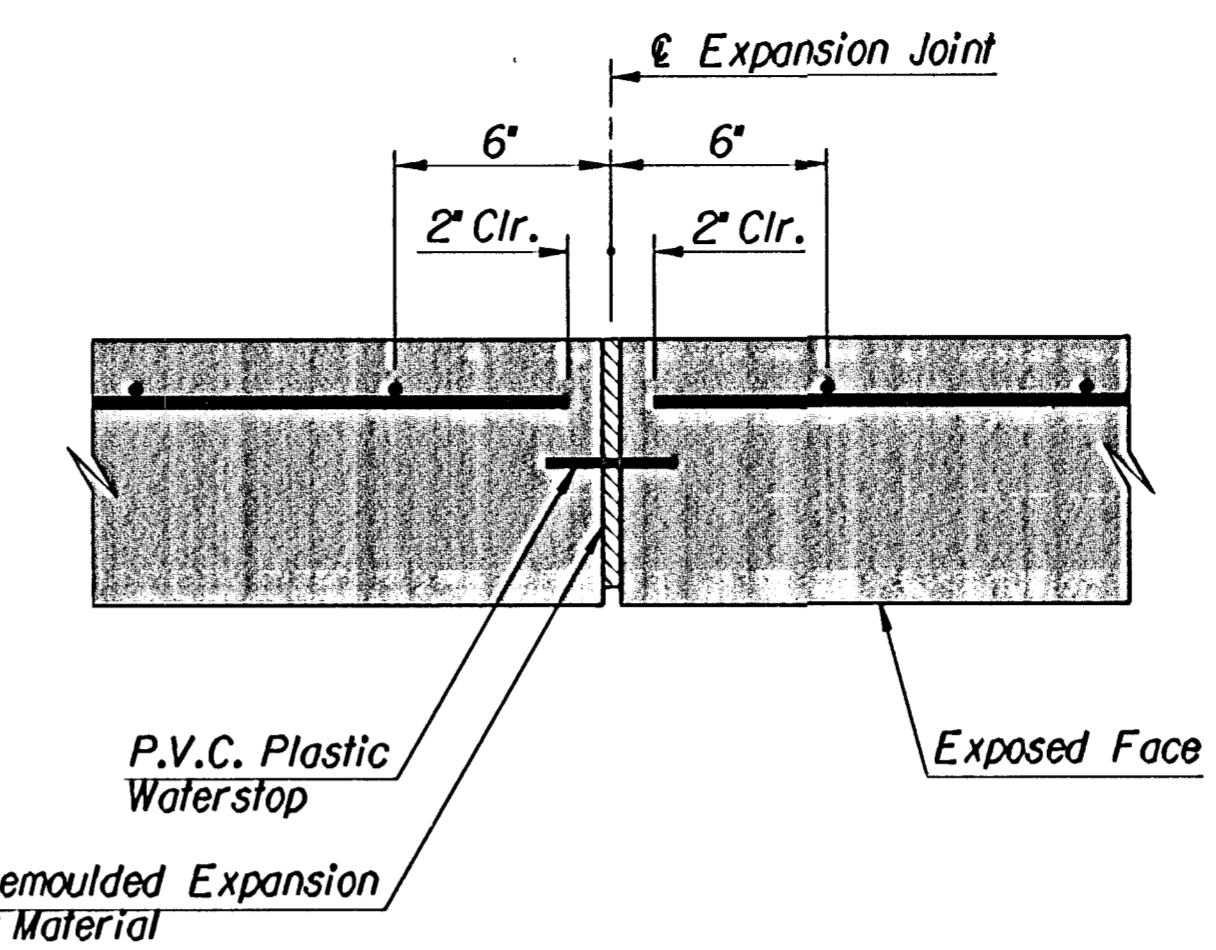
Exposed Face  
Dur-O-Wall Anchors D/A 5431 or approved equal on each side of Post @ 1'-4" +/- Vertical Spacing  
Pencil Rods as Required

SECTION C-C



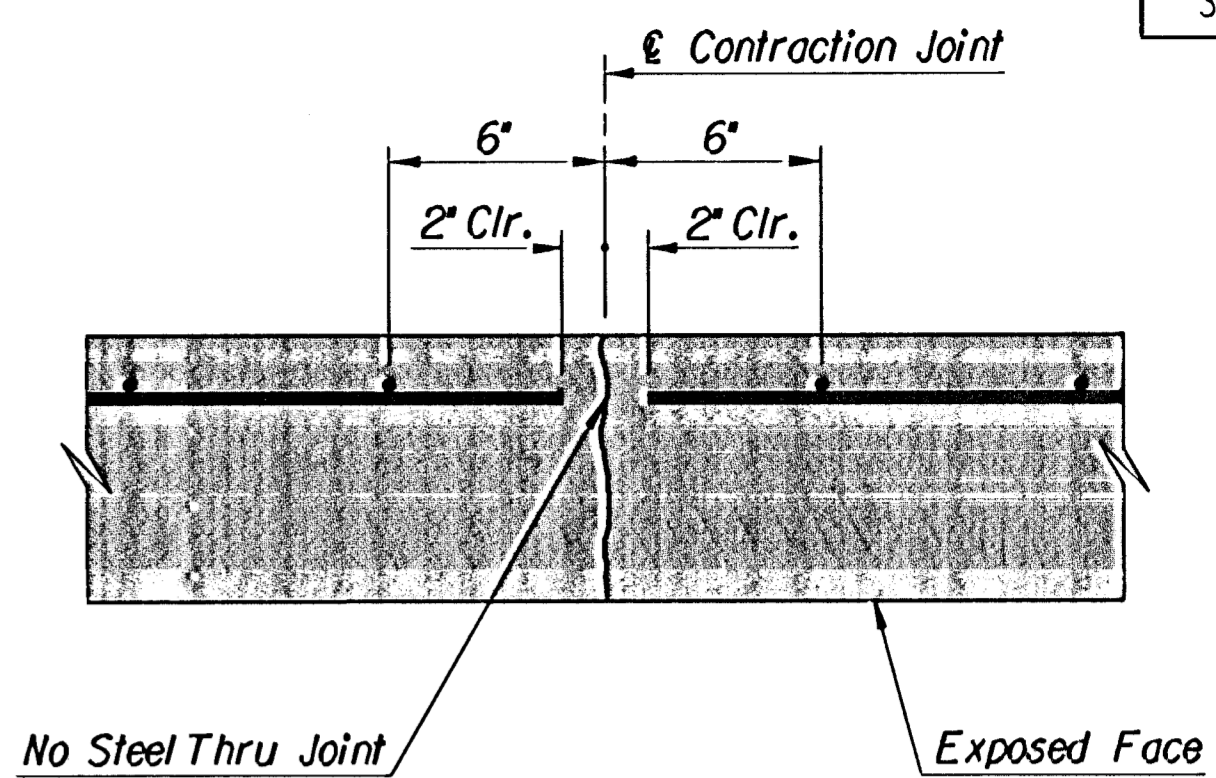
Exposed Face  
Dur-O-Wall Anchors D/A 5431 or approved equal on each side of Post @ 1'-4" +/- Vertical Spacing  
Pencil Rods as Required

SECTION B-B



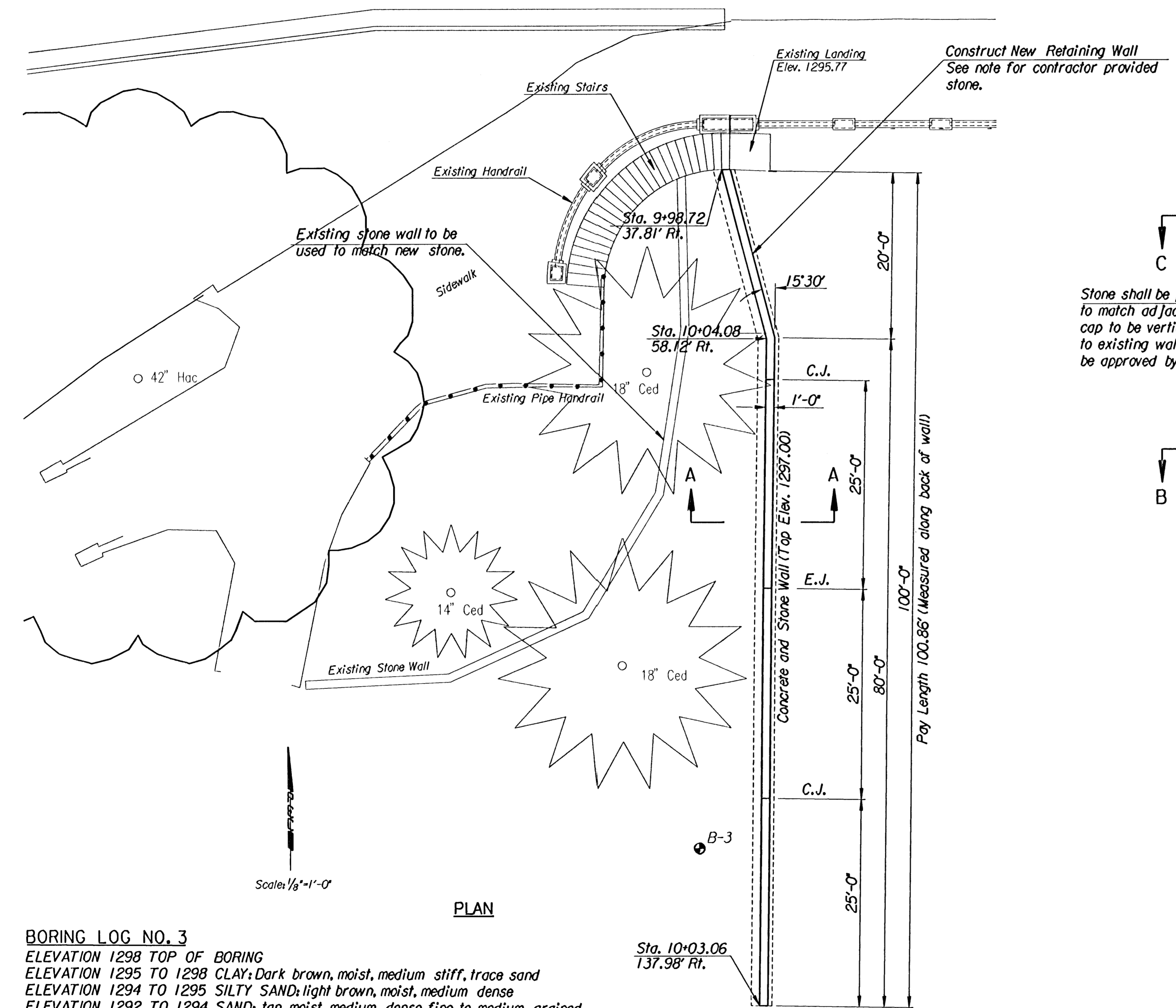
P.V.C. Plastic Waterstop  
Exposed Face  
1" Preformed Expansion Joint Material

EXPANSION JOINT DETAIL (E.J.)



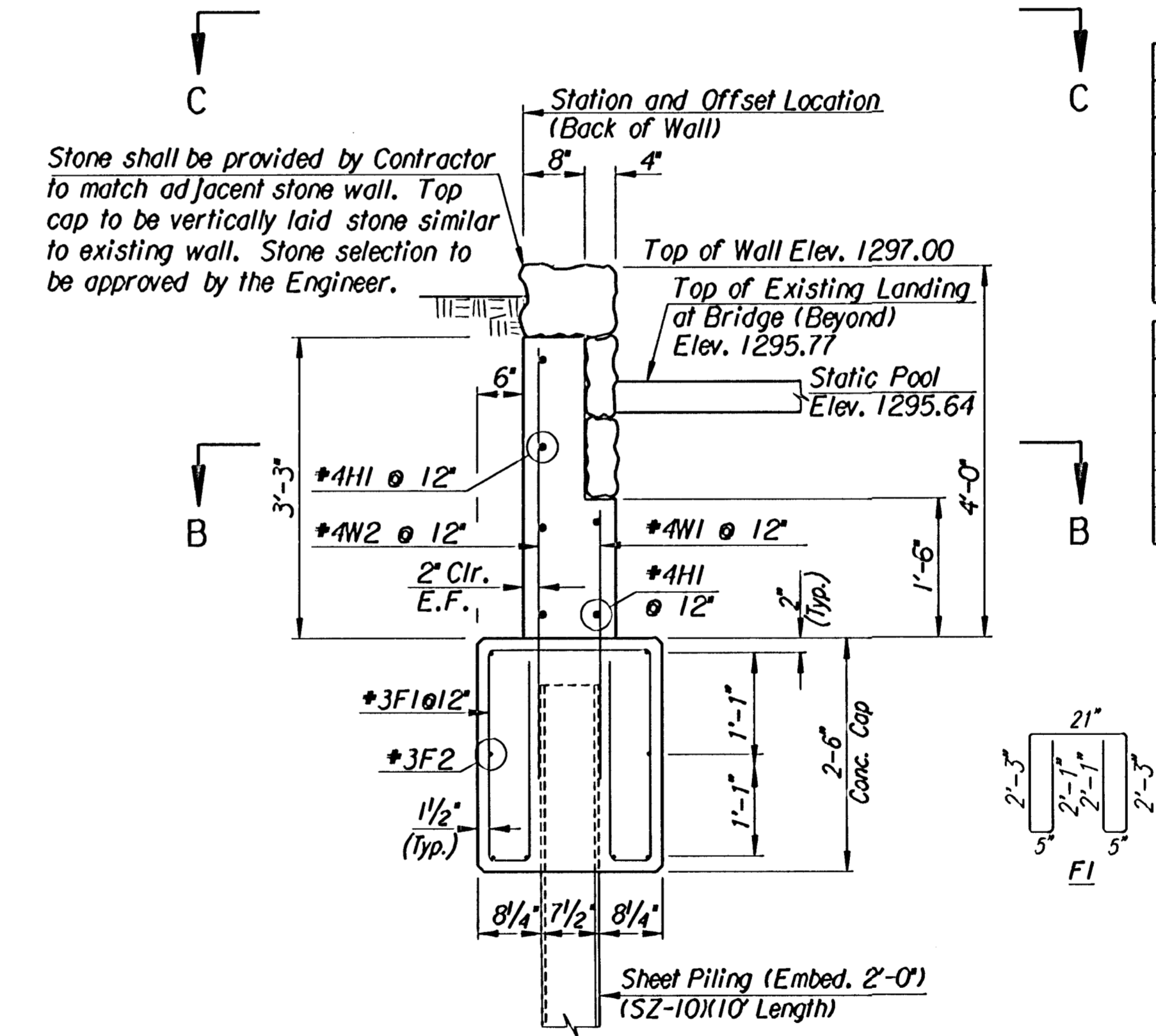
No Steel Thru Joint  
Exposed Face

CONTRACTION JOINT DETAIL (C.J.)



Scale: 1/8" = 1'-0"

PLAN



Stone shall be provided by Contractor to match adjacent stone wall. Top cap to be vertically laid stone similar to existing wall. Stone selection to be approved by the Engineer.

Size Based on A.S.T.M. A-328 Gr. 36 Shoreline Sheet Piling New Haven, MI, and distributed by Hammer and Steel, Inc. Shawnee Mission, Kansas (913-681-9295) or Equivalent Section.

SECTION A-A

REINFORCING STEEL							
Straight Bars				* Bent Bars			
Mark	No.	Size	Length	Mark	No.	Size	Length
H1	24	#4	24'-8"	F1	101	#3	11'-3"
W1	101	#4	2'-10"				
W2	101	#4	4'-7"				
F2	32	#3	24'-8"				

WALL QUANTITIES (Information only)		
Item	Quantity	Unit
Reinforcing Steel	1620	Lbs.
Concrete	287	CY.
Stone	135	C.F.
Sheet Piling (SZ-10)	1,009	Sq.Ft.

\* See Bending Diagram

CONCRETE RETAINING WALL NOTES

CONCRETE: Bevel all exposed edges with a 3/4" triangular molding or finish with an approved edging tool. Class AAA Concrete (AE) shall have a minimum 28 day compressive strength of 4,000 p.s.i.

REINFORCING STEEL: All dimensions relative to reinforcing steel are to centerline of bar unless otherwise noted. All reinforcing steel shall conform to A.S.T.M. designation A615 (Grade 60). End and side clearance to reinforcing to be 2" unless noted.

PAYMENT: The retaining wall shall be paid for per linear foot. This shall include all concrete, reinforcing steel, sheet piling, stone, mortar, miscellaneous materials, labor, tools, equipment and incidentals necessary to complete the work.

**BORING LOG NO. 3**  
 ELEVATION 1298 TOP OF BORING  
 ELEVATION 1295 TO 1298 CLAY: Dark brown, moist, medium stiff, trace sand  
 ELEVATION 1294 TO 1295 SILTY SAND: light brown, moist, medium dense  
 ELEVATION 1292 TO 1294 SAND: tan, moist, medium dense fine to medium grained  
 ELEVATION 1291 TO 1292 CLAY: brown, moist, medium stiff  
 ELEVATION 1283 TO 1291 SAND: tan, very moist to saturated, loose, medium grained

No.		Revisions		By	Date
CITY OF WICHITA, KANSAS JAMES L. ARMOUR, P.E. - ACTING CITY ENGINEER MURDOCK BRIDGE OVER LITTLE ARKANSAS RIVER RETAINING WALL CITY OF WICHITA PROJECT NO. 472-83895					
Professional Engineering Consultants, P.A. 303 S. TOPICKA • WICHITA, KANSAS 67202 316-262-2691 • FAX 316-262-3003					
Designed by	R.A.S.		Checked by	R.A.S.	
Drawn by	R.A.S./W.L.L.		Date	March 2004 Job No. 96940-2	

i:\96940\002\off\check\wallparkr.dgn  
 drawn by : ras/wll  
 plotted by : ras 3-27-2004