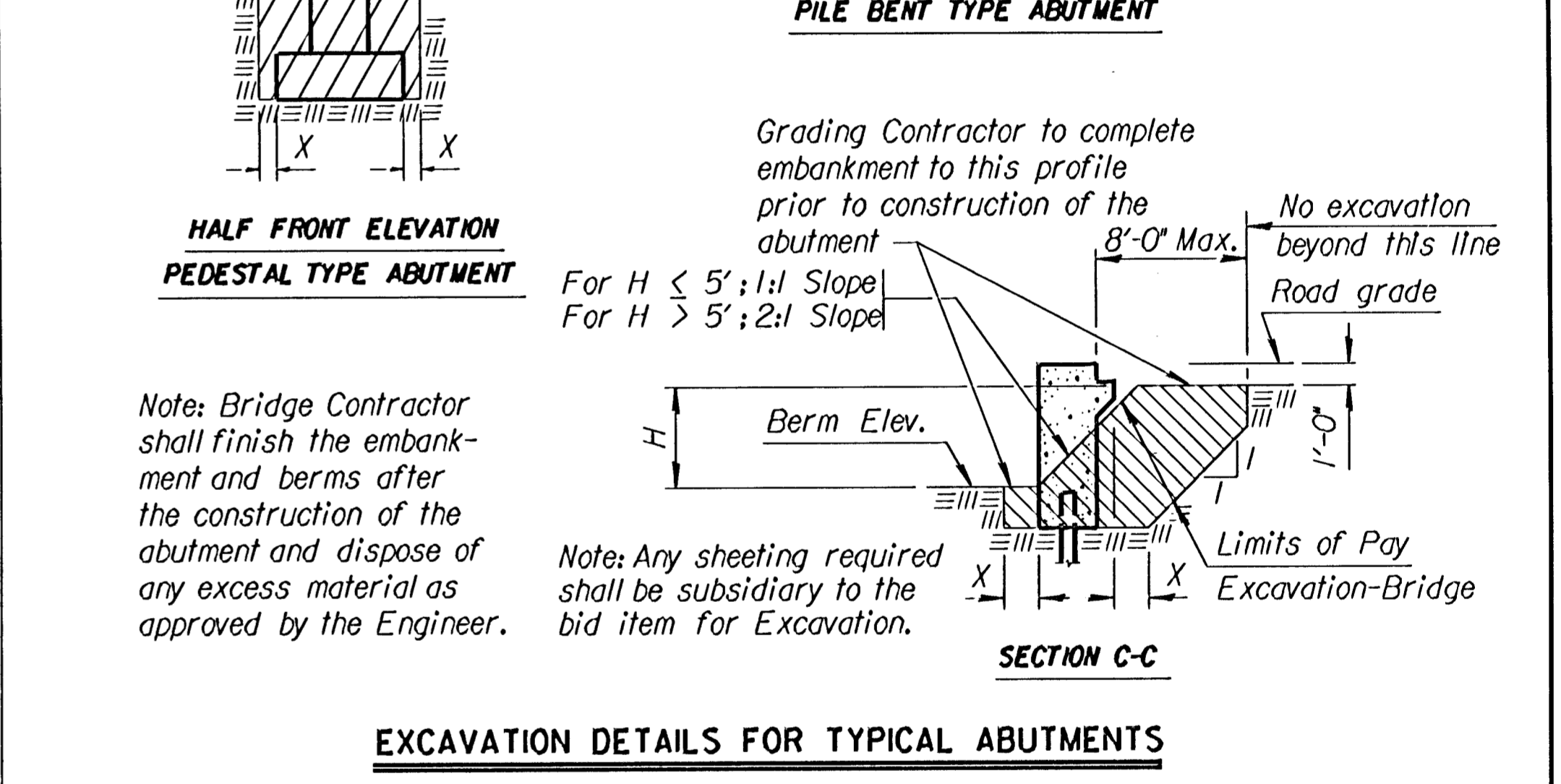
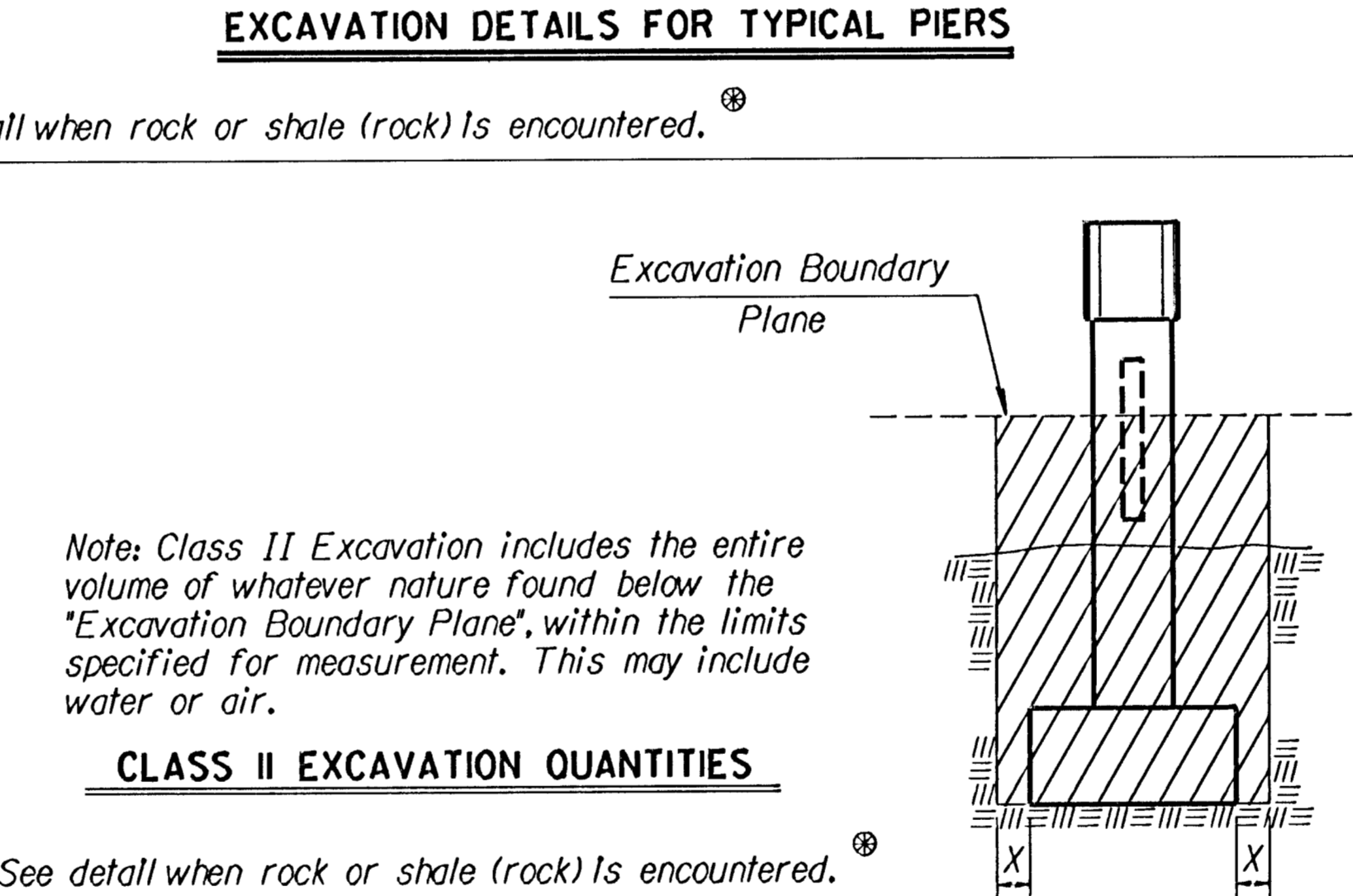
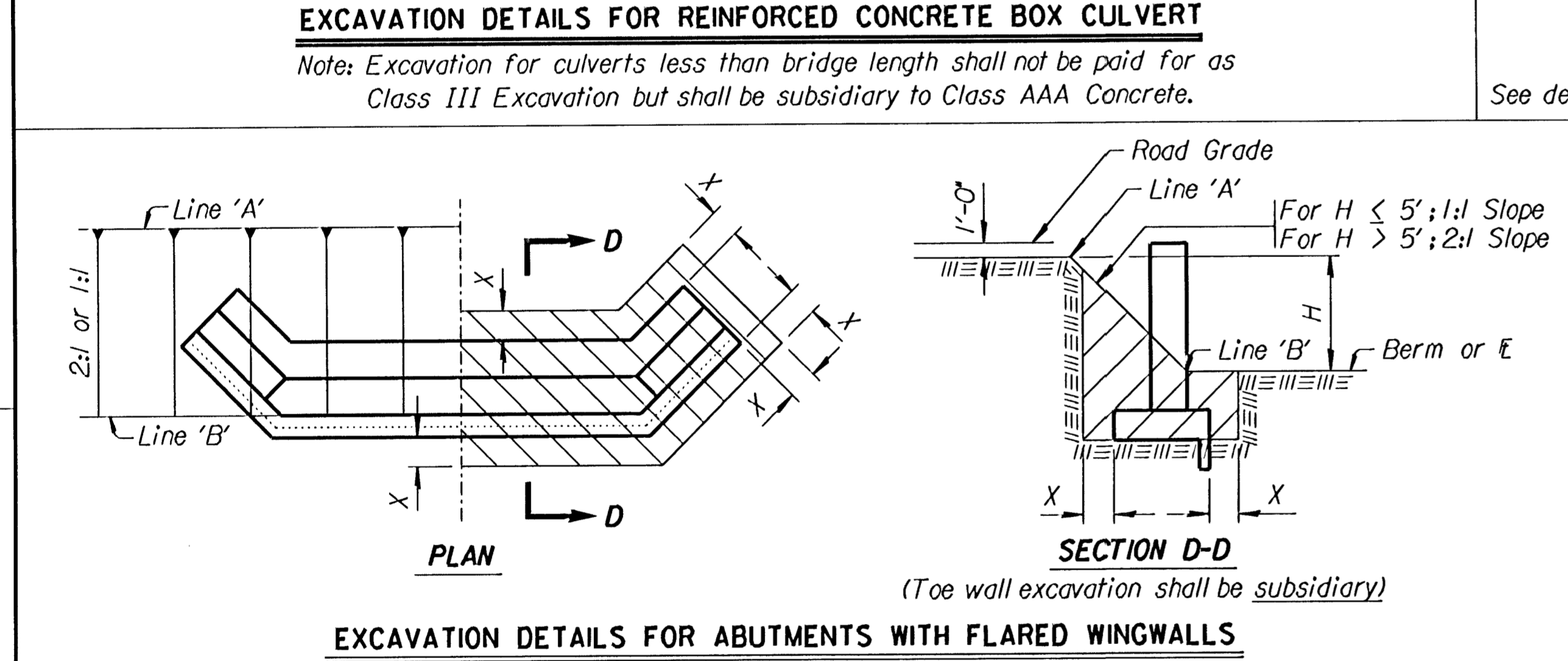
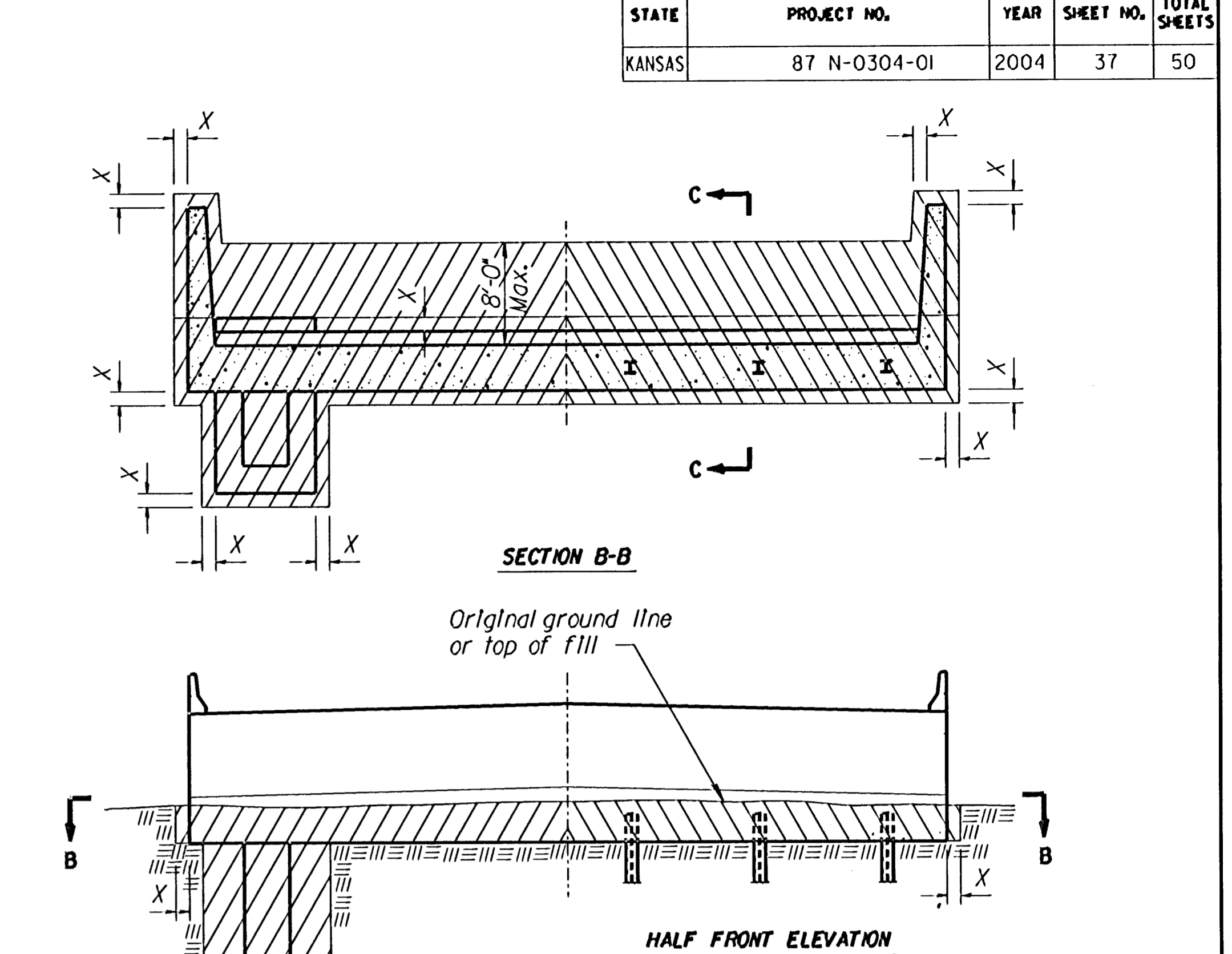
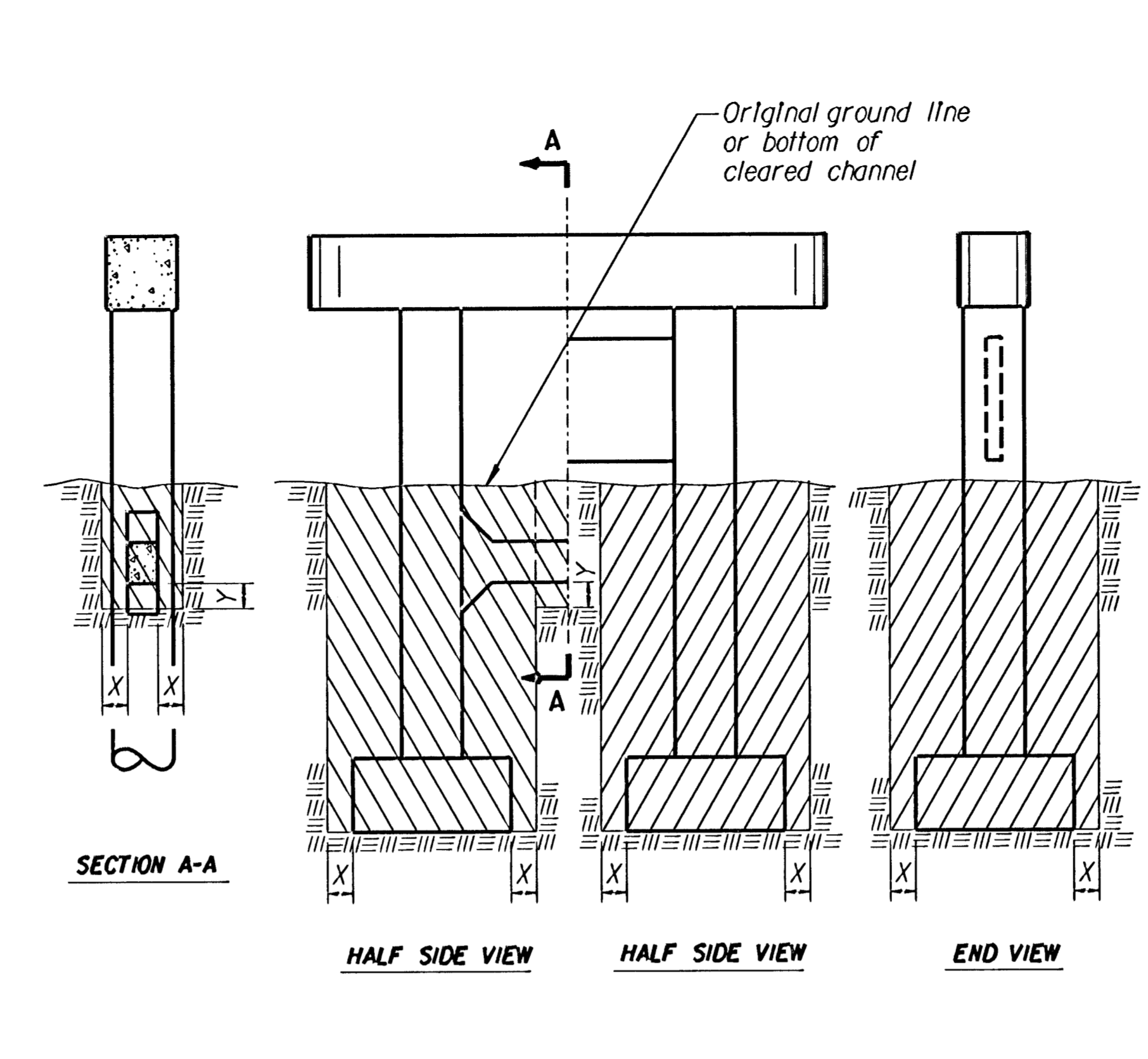
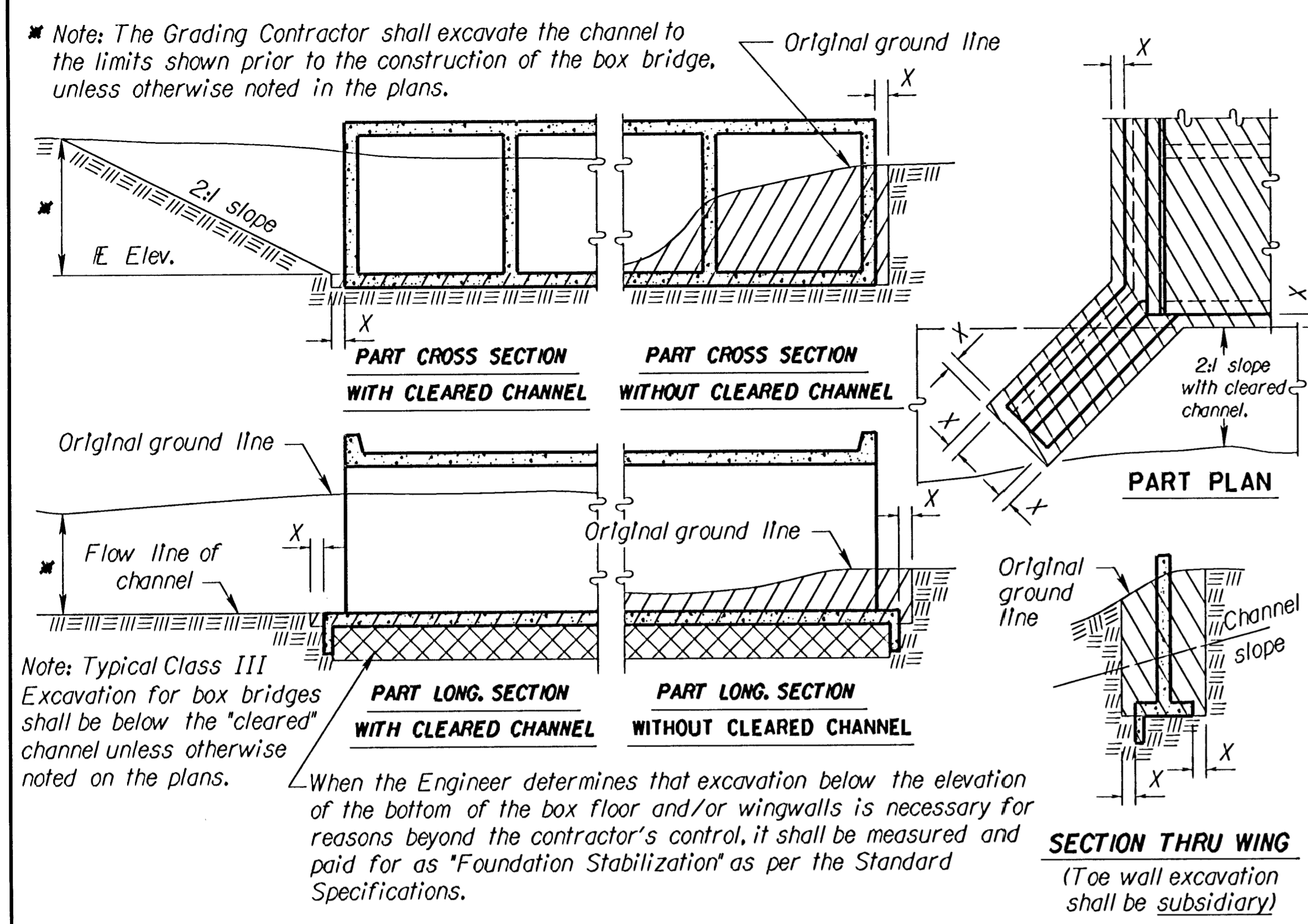


STATE	PROJECT NO.	YEAR	SHEET NO.	TOTAL SHEETS
KANSAS	87 N-0304-01	2004	37	50



Std. Base File: br100.dgn
 Plotted By: RAS
 File: H:\966\96940\002\offsite\tech\standards\br100.dgn
 Plot Date: 2-3-2004

NO.	DATE	REVISIONS	BY	APP'D
6	4-10-02	Added 'Foundation Stab.' Note	RAM	KFH
5	8-12-95	Correct Section BB at abutment	LRR	KFH
4	1-30-95	Drilled Shaft Excavation	LRR	KFH
3	7-26-94	Change limits of abutment	LRR	KFH
2	1-26-93	Add Class 2 & Flared Wing det.	LRR	KFH
1	4-6-90	Change limits of abutments	LRR	KFH

KANSAS DEPARTMENT OF TRANSPORTATION			
BRIDGE EXCAVATION			
BR100	4-19-02	APP'D	KENNETH F. HURST
DESIGNED	DETAILED	QUANTITIES	CADD
DESIGN CR.	DETAIL CR.	QUAN. CR.	CADD CR.