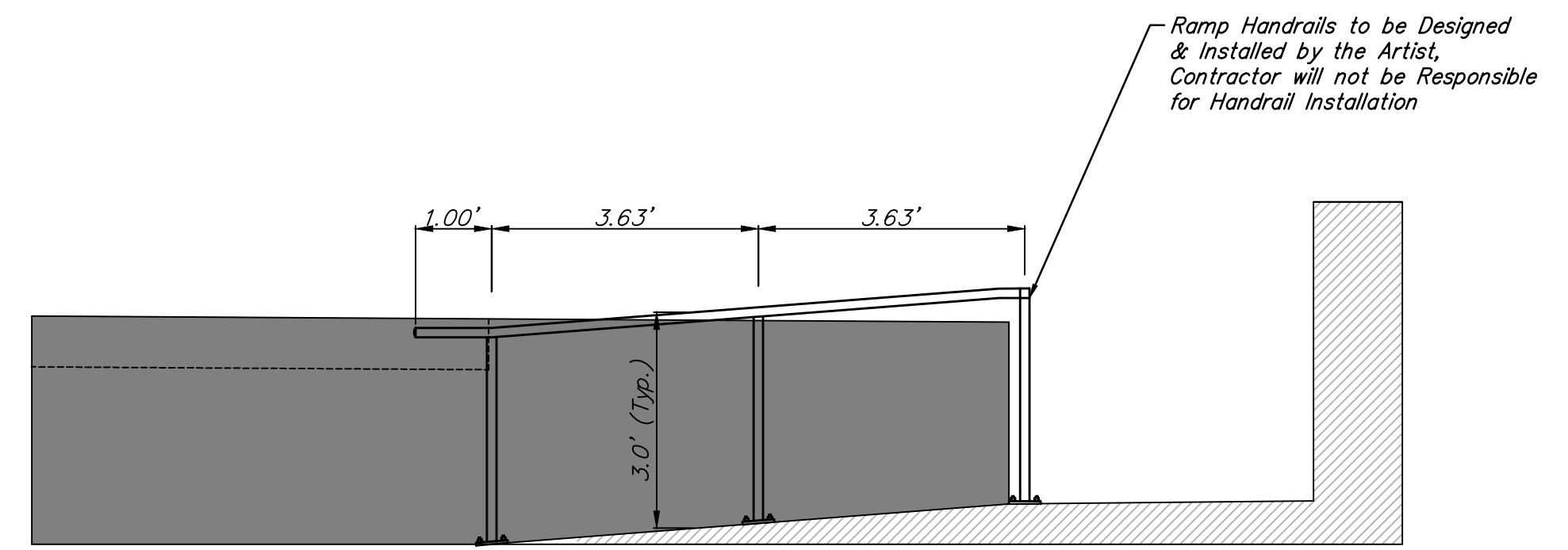
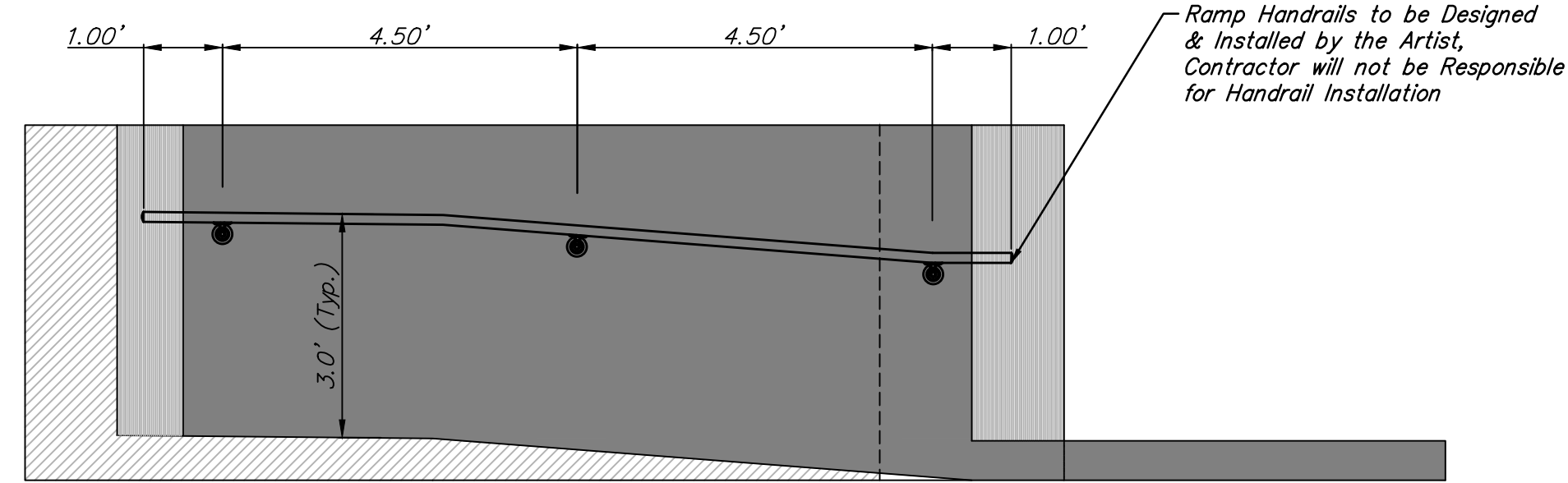


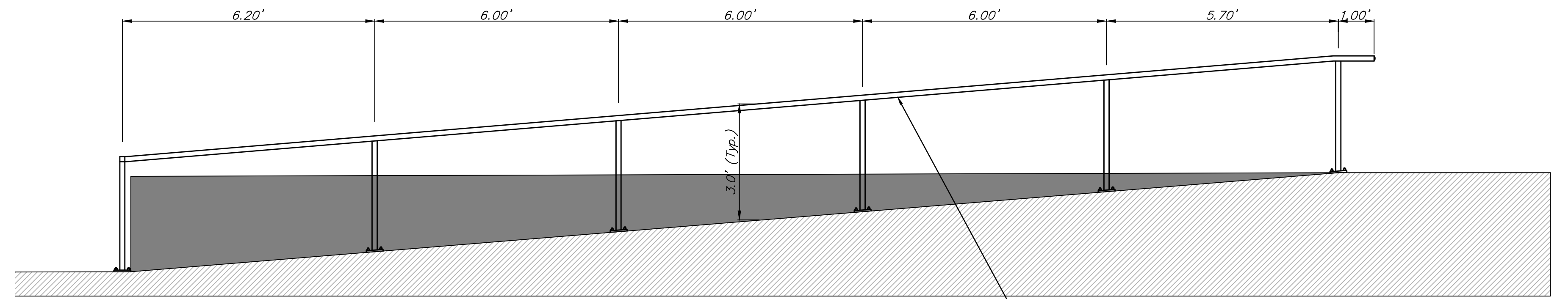
**STAGE CROSS SECTIONS**  
1"=4'



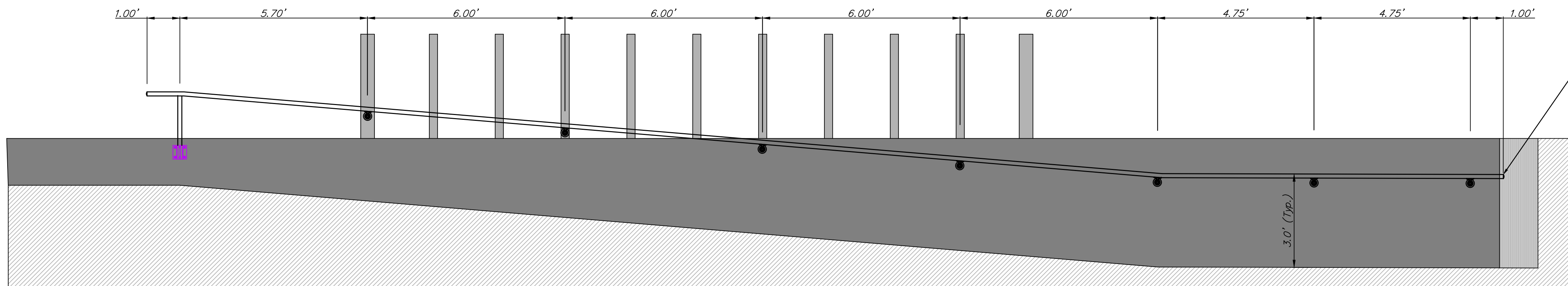
**SECTION C-C**  
1"=2'



**SECTION A-A**  
1"=2'



**SECTION D-D**  
1"=2'



**SECTION B-B**  
1"=2'



NOTE:  
ARTIST WILL DESIGN AND INSTALL HANDRAILS  
BASED ON THE DIMENSIONS SHOWN WHILE  
ENSURING ADA STANDARDS ARE MET. HANDRAIL  
MOUNTS SHALL USE 304SS WEDGE ANCHORS FOR  
BOLTING HANDRAILS INTO CONCRETE.

Drawing File: E:/Commerce Parking Lot/Details/Detail02.dwg  
Project No. 14-10-E149 CAPITAL IMPROVEMENT PROJECT  
Design: P. Baer  
Drawn: L. Peter  
Approved: P. Baer  
Scale: 1"=20'

**COMMERCE PARKING LOT  
HANDRAIL DESIGN**  
COMMERCIAL ART DISTRICT

**Baughman Company, P.A.**  
315 Ellis St. Wichita, KS 67211 P 316-262-7271 F 316-262-0149  
ENGINEERING | SURVEYING | PLANNING | LANDSCAPE ARCHITECTURE