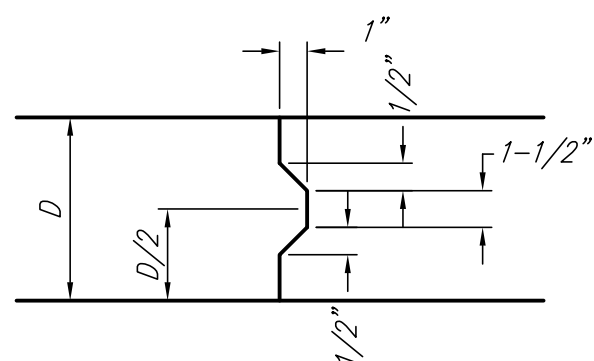
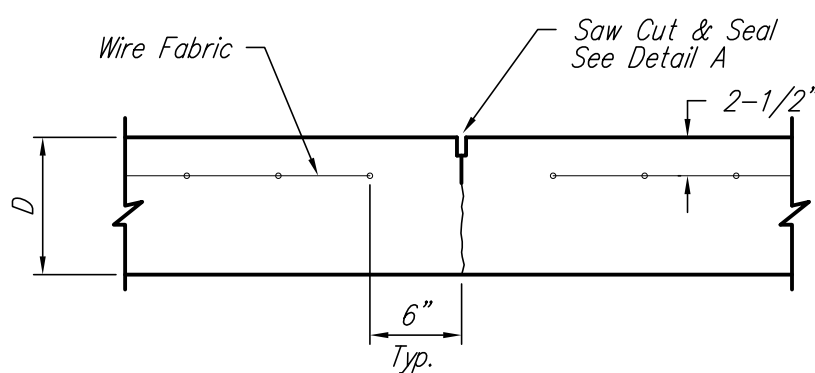


**EXPANSION JOINT**

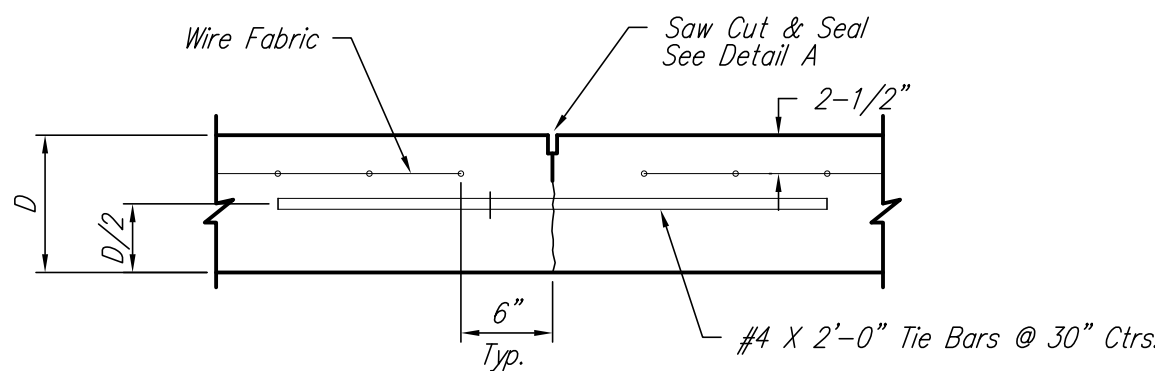
NOTE: Extra Thickness to be Subsidiary to Price of Square Yards Pavement



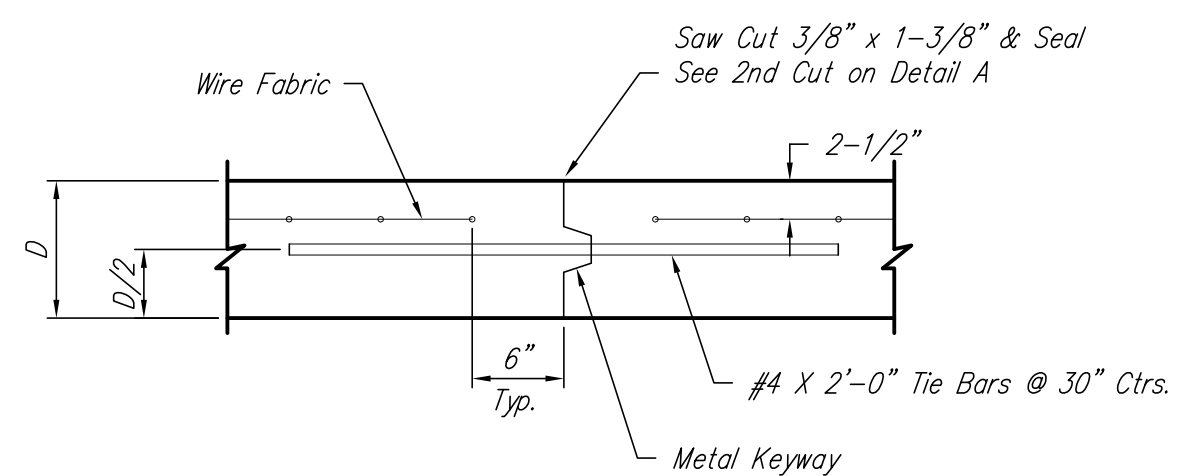
**KEYWAY DETAIL**



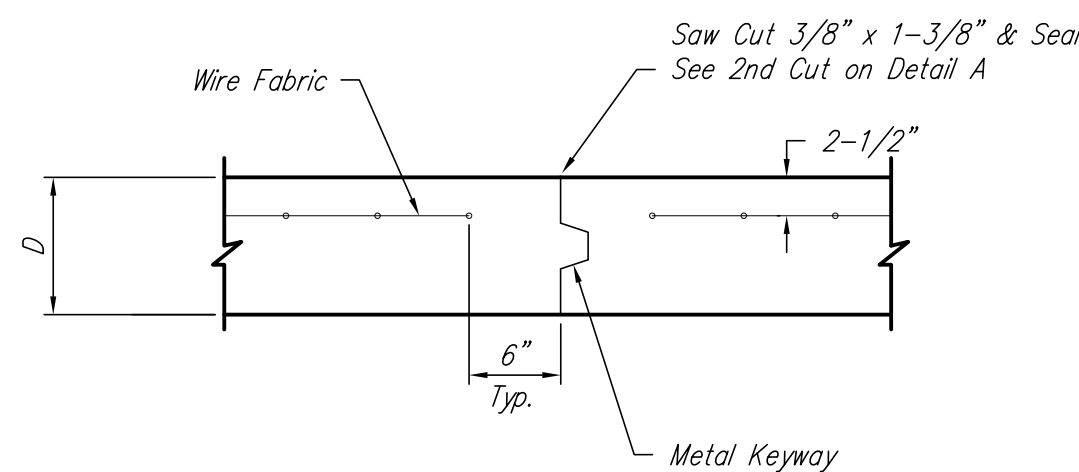
**CONTRACTION JOINT DETAIL (C.J.)**



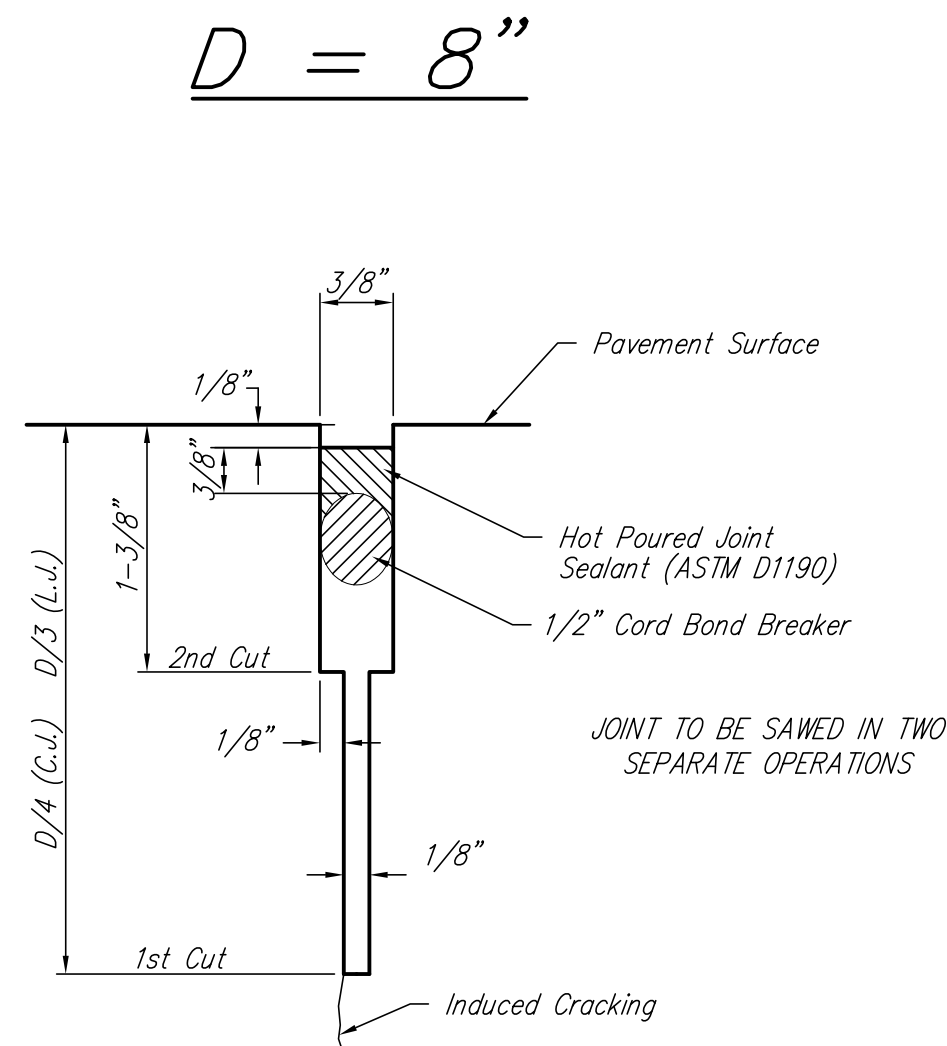
**LONGITUDINAL JOINT DETAIL (L.J.)**



**OPTIONAL LONGITUDINAL JOINT DETAIL (L.J.)**

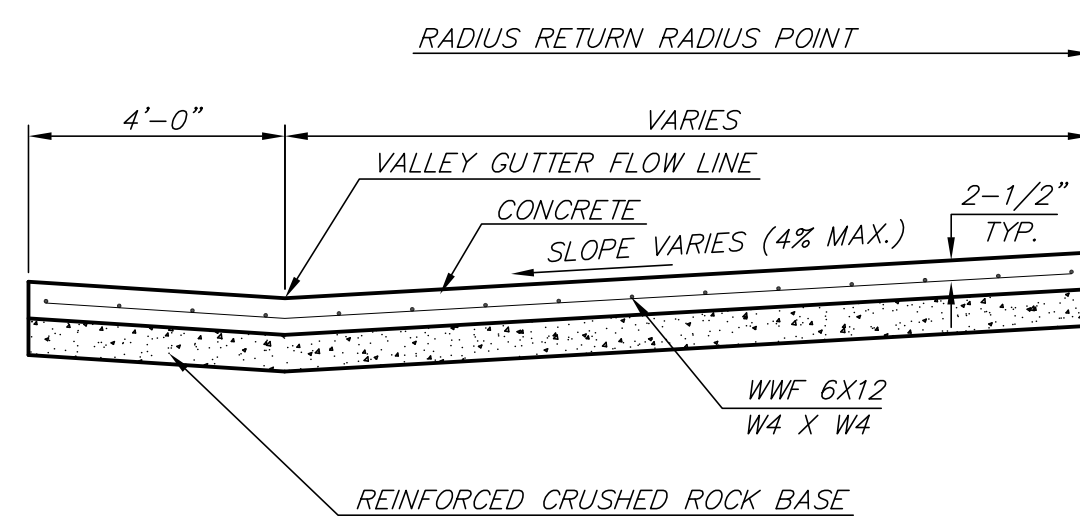


**OPTIONAL CONTRACTION JOINT**

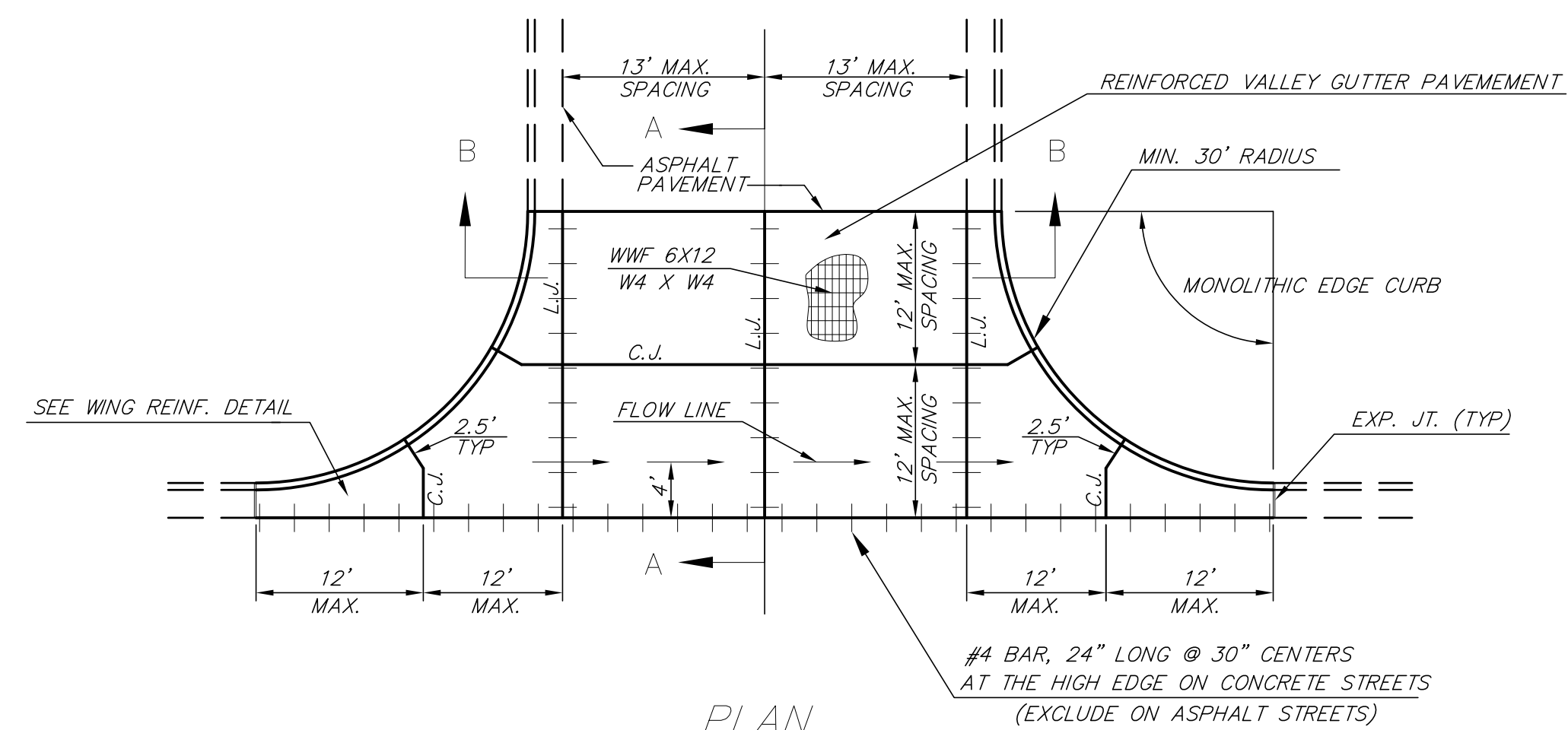


**SAW JOINT DETAIL**

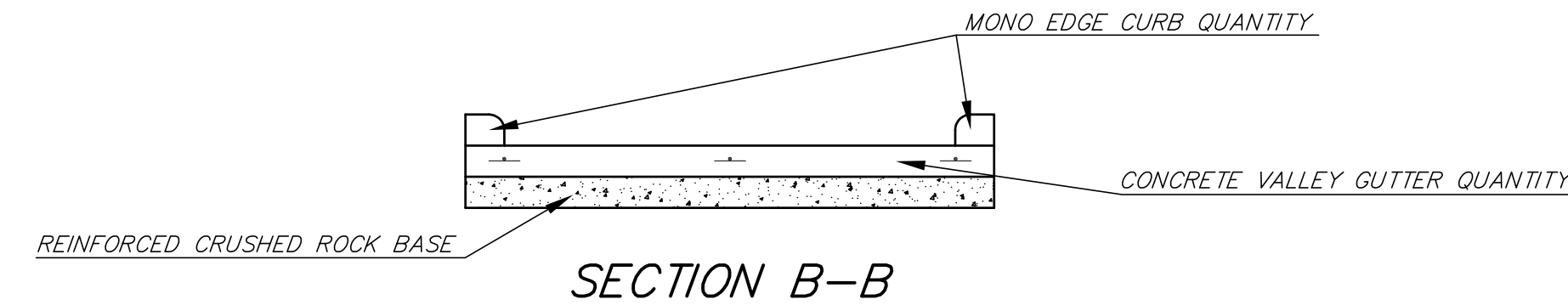
(DETAIL A)



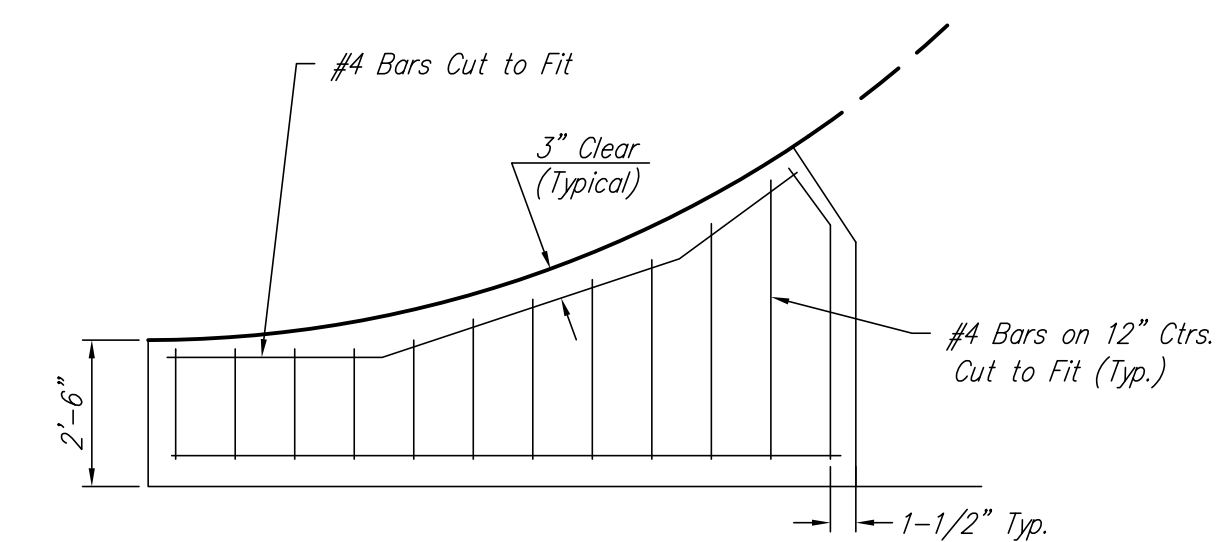
**SECTION A-A**



**PLAN**



**REINFORCED VALLEY GUTTER DETAIL**



**WING REINFORCING DETAIL**



REVISED: NOVEMBER 2015

<b>VALLEY GUTTER DETAILS</b>		
CITY ENGINEER <b>GARY JANZEN, P.E.</b>		
PROJECT NUMBER 472-85239	OCA NUMBER 766345	DATE AUGUST 2016
CITY ENGINEER'S OFFICE CITY HALL - SEVENTH FLOOR 455 NORTH MAIN STREET WICHITA, KANSAS 67202-1620 (316) 268-4501		SHEET <b>8 of 30</b>

No.	Date	By	Approved	Revision
<p><b>POE &amp; ASSOCIATES, INC.</b> CONSULTING ENGINEERS 544 West Douglas Avenue   Wichita, KS 67203 Phone 316/685-4114   FAX 316/685-4444</p>				
<p><b>POE</b></p>				
<p><b>FINAL</b></p>				
<p>Engineer: J. DICKMAN Designer: J. UNRUH Dwg. P.E.: 102112, 102112 - TYPICALS Poe Job No.: 102112 Date: AUGUST 2016</p>				