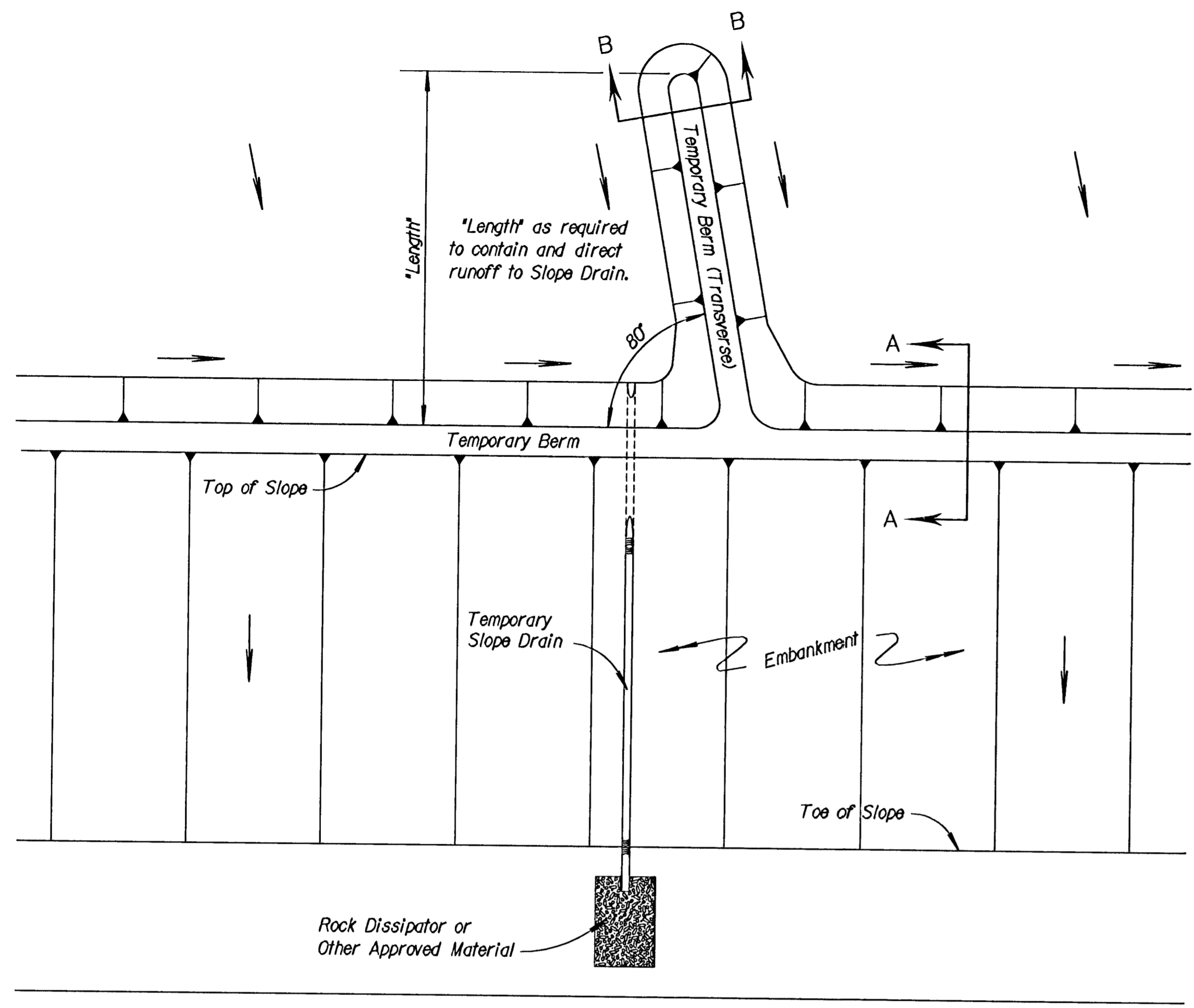
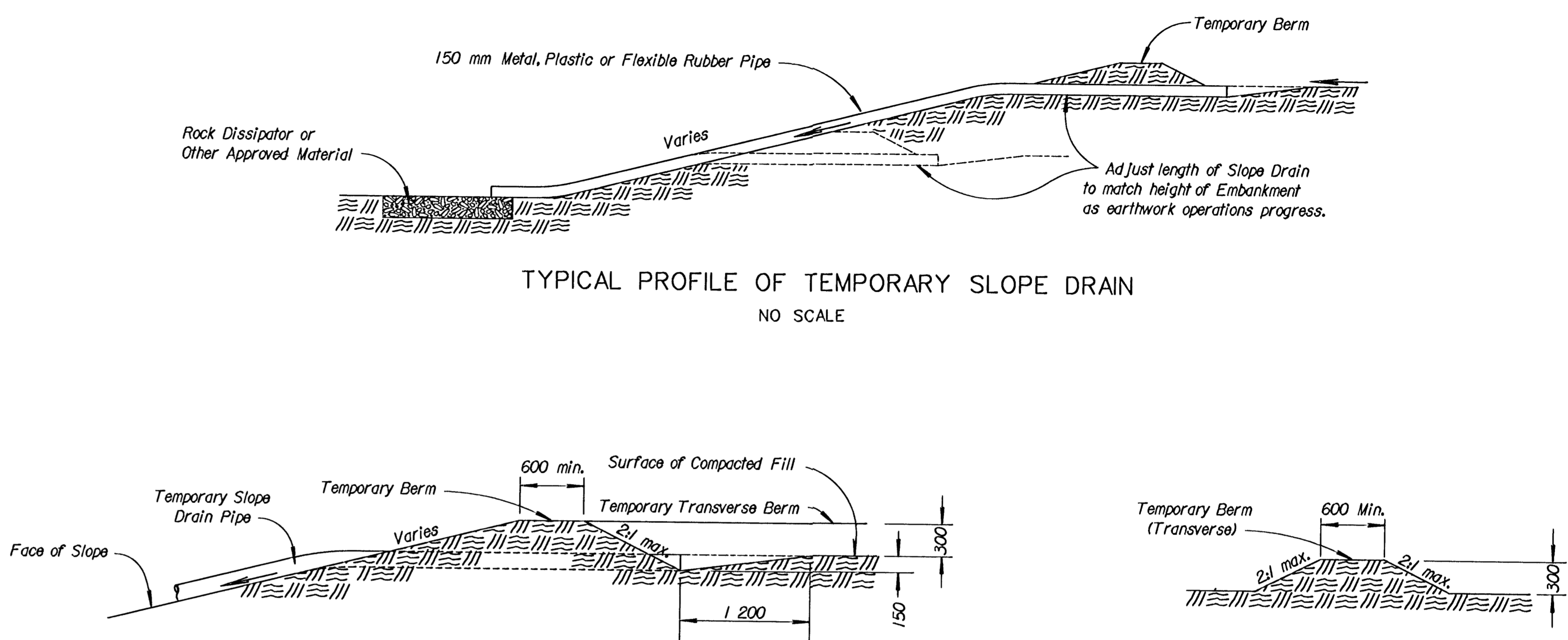


FHWA REGION NO.	STATE	PROJECT NO.	YEAR	SHEET NO.	TOTAL SHEETS
7	KANSAS	87N-0078-01	1997	24	33

- NOTES:
- 1) Temporary Slope Drain and Temporary Berm may be used on either project foreslopes or project backslopes.
 - 2) Discharge of Slope Drains shall be into stabilized ditch or area, or into Sediment Basin.
 - 3) Pipe shall be secured in place as approved by Engineer.



TYPICAL PLAN VIEW OF TEMPORARY BERM AND TEMPORARY SLOPE DRAIN
NO SCALE

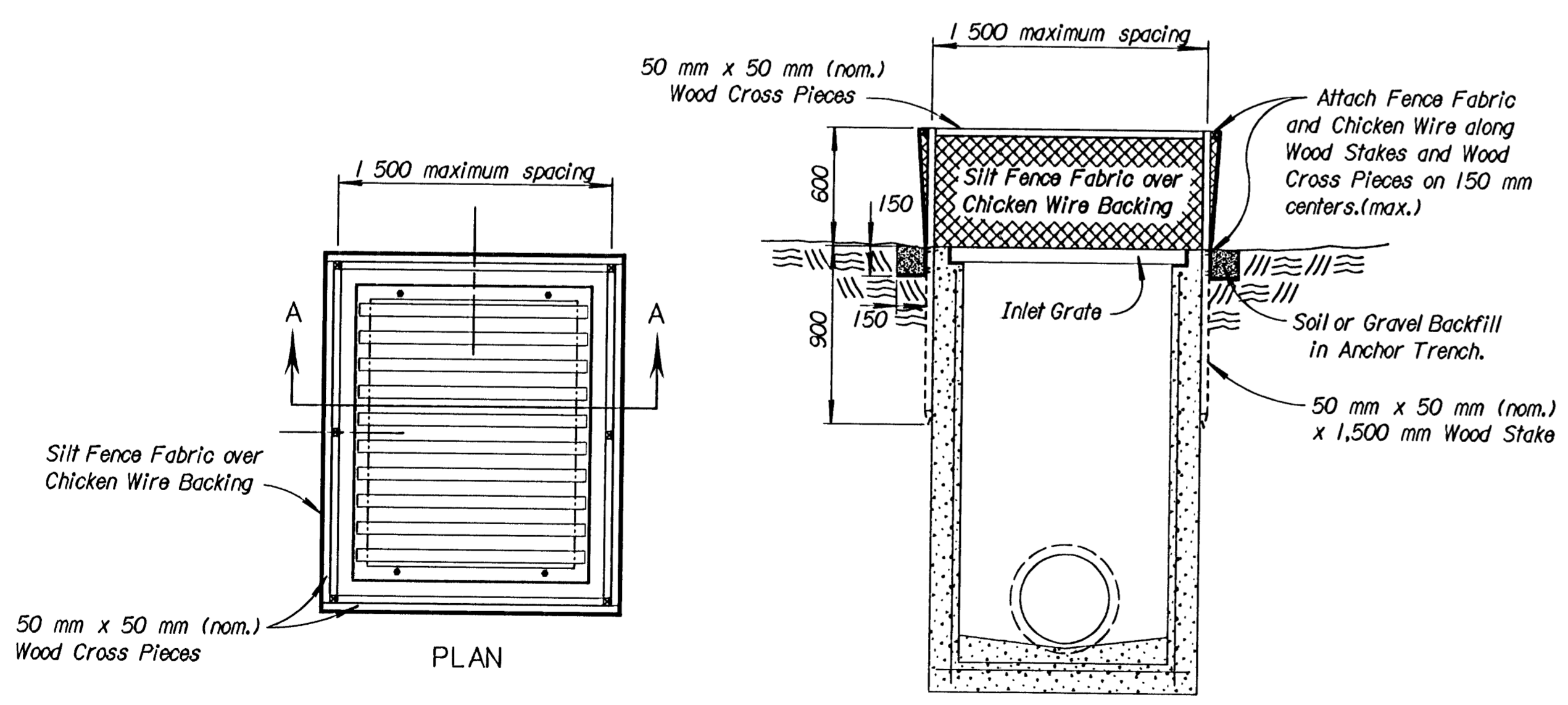


TYPICAL PROFILE OF TEMPORARY SLOPE DRAIN
NO SCALE

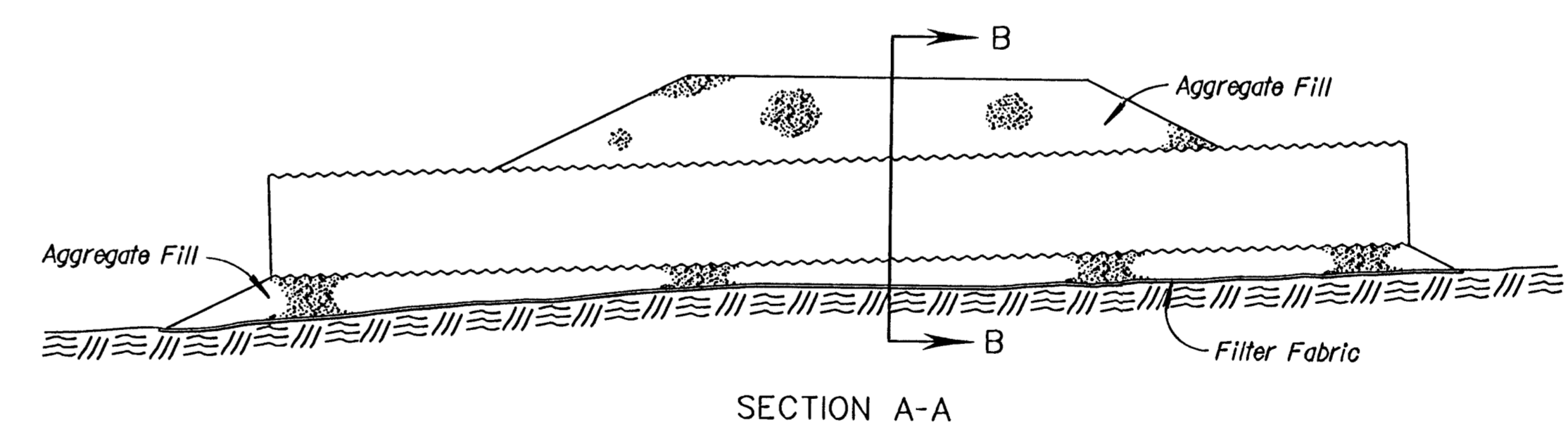
SECTION A-A
NO SCALE

SECTION B-B
NO SCALE

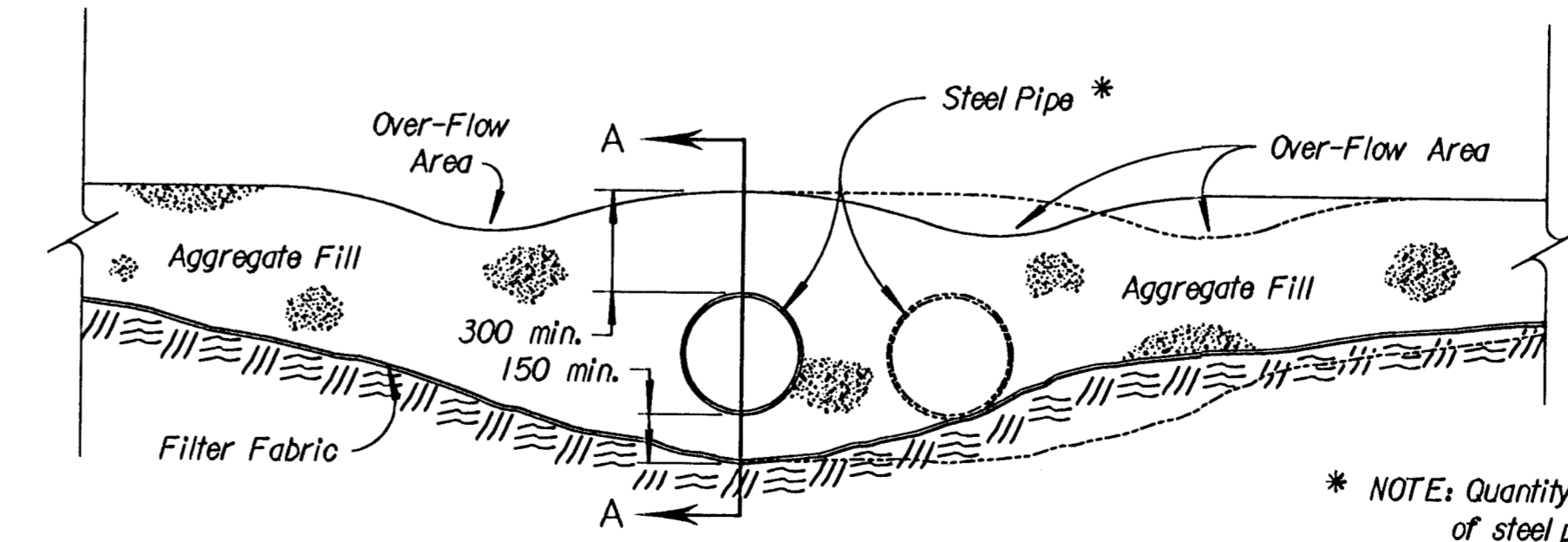
TYPICAL PROFILE OF TEMPORARY BERM
NO SCALE



TEMPORARY INLET SEDIMENT BARRIER
NO SCALE



SECTION A-A



SECTION B-B

TEMPORARY STREAM CROSSING
NO SCALE

* NOTE: Quantity, length and diameter of steel pipe to be determined by design flow calculations.

NO.	DATE	REVISIONS	WCL BY	RDR APP'D
3				
2				
1	7-5-95	Convert to SI	WCL	RDR

KANSAS DEPARTMENT OF TRANSPORTATION
TEMPORARY PROJECT WATER POLLUTION CONTROL
TEMPORARY SLOPE DRAIN; STREAM CROSSING; INLET SEDIMENT BARRIER

LAB52C SI
F.H.W.A. APPROVAL 8-8-95 APP'D Richard D. Ross
DESIGNED WCL DETAILED WCL QUANTITIES TRACED DAK
DESIGN CK. RDR DETAIL CK. WCL QUAN. CK. TRACE CK. WCL

Drawn By: \$\$\$USERNAME\$\$\$
 DGN File: \$\$\$DGNFILE\$\$\$
 Plotted: \$\$\$STRTIME\$\$\$ View: PLOT 1