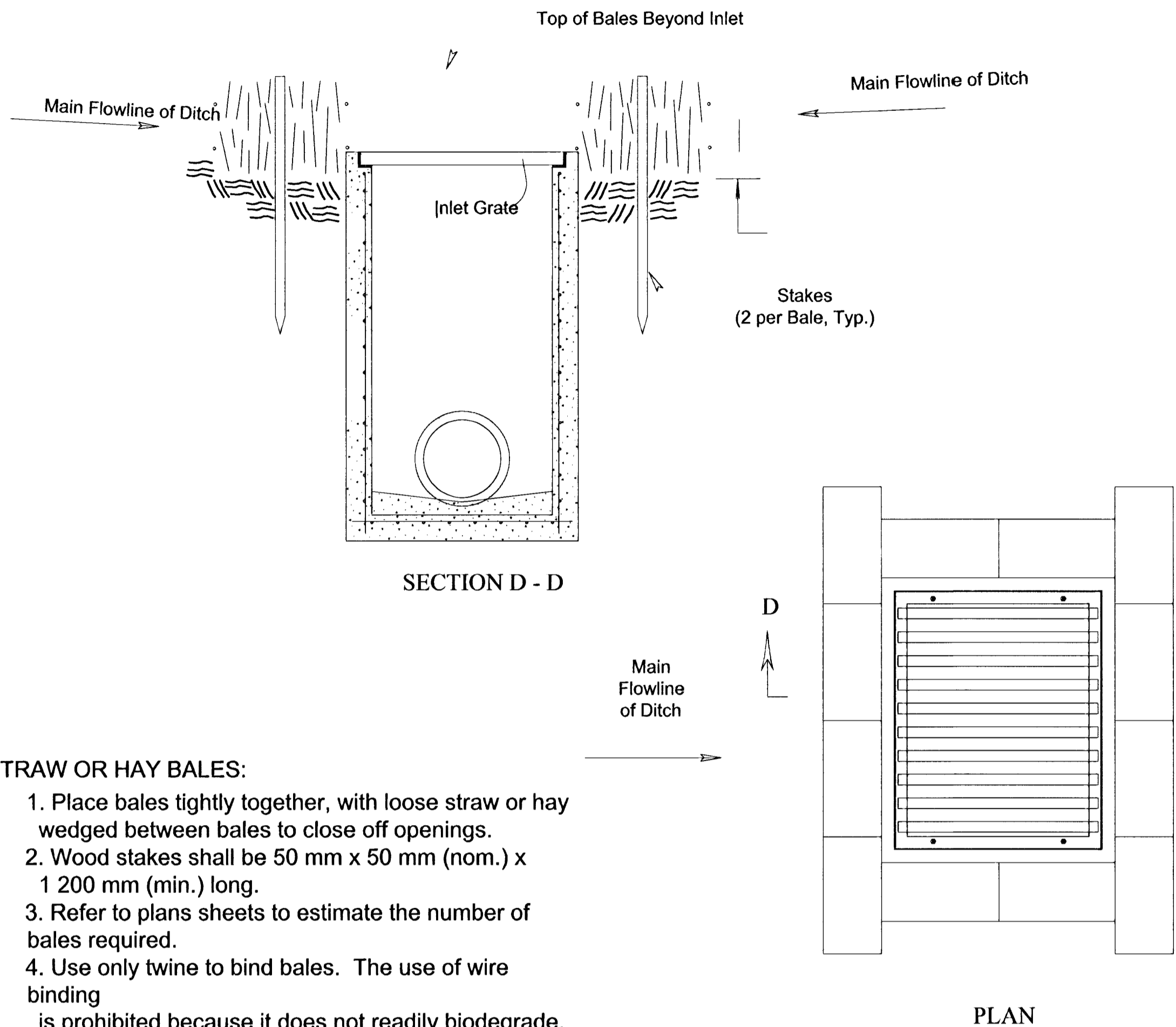
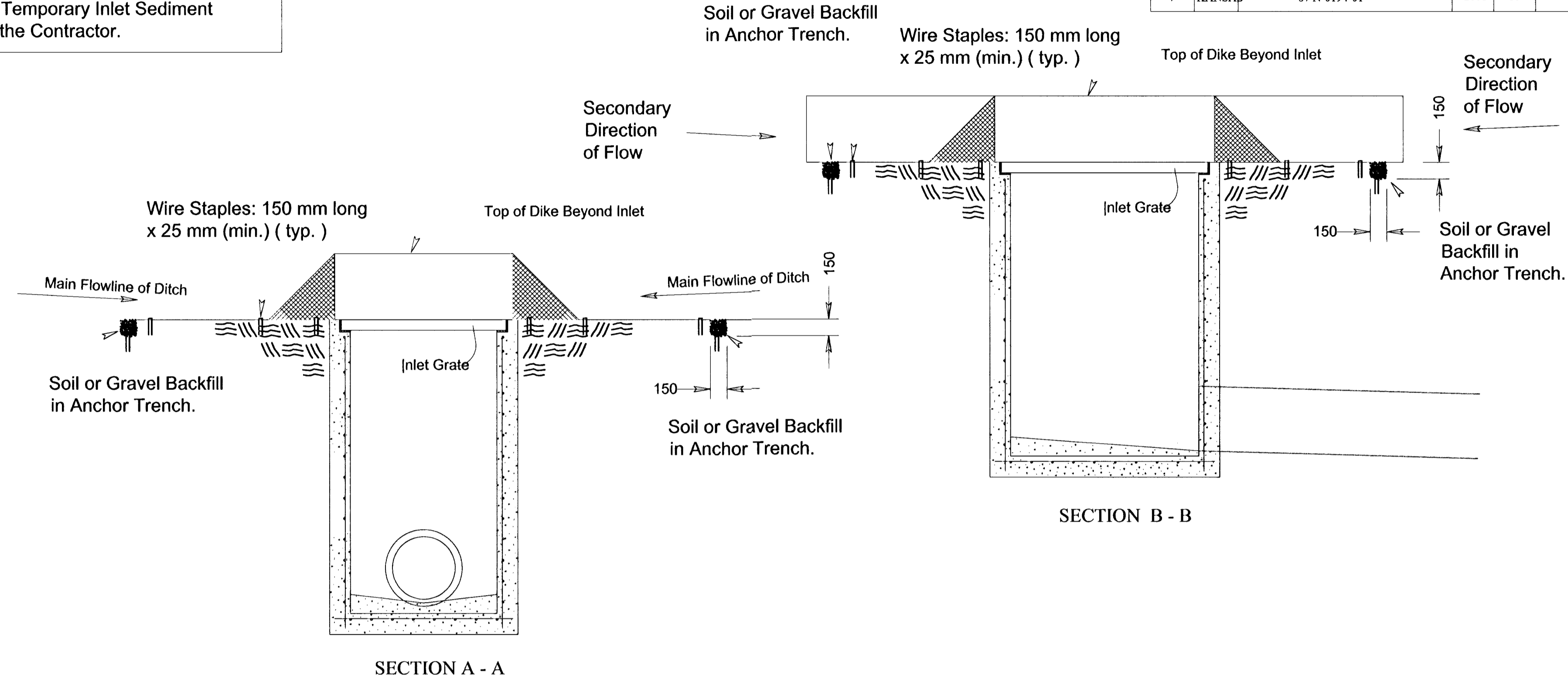


FHWA REGION/STATE NO.	PROJECT NO.	YEAR	SHEET NO.	TOTAL SHEETS
7 KANSAS	87 N-0194-01	2001	18	43

NOTE: The use of Straw or Hay Bales, Silt Fence or Triangular Silt Dike for Temporary Inlet Sediment Barrier is at the option of the Contractor.

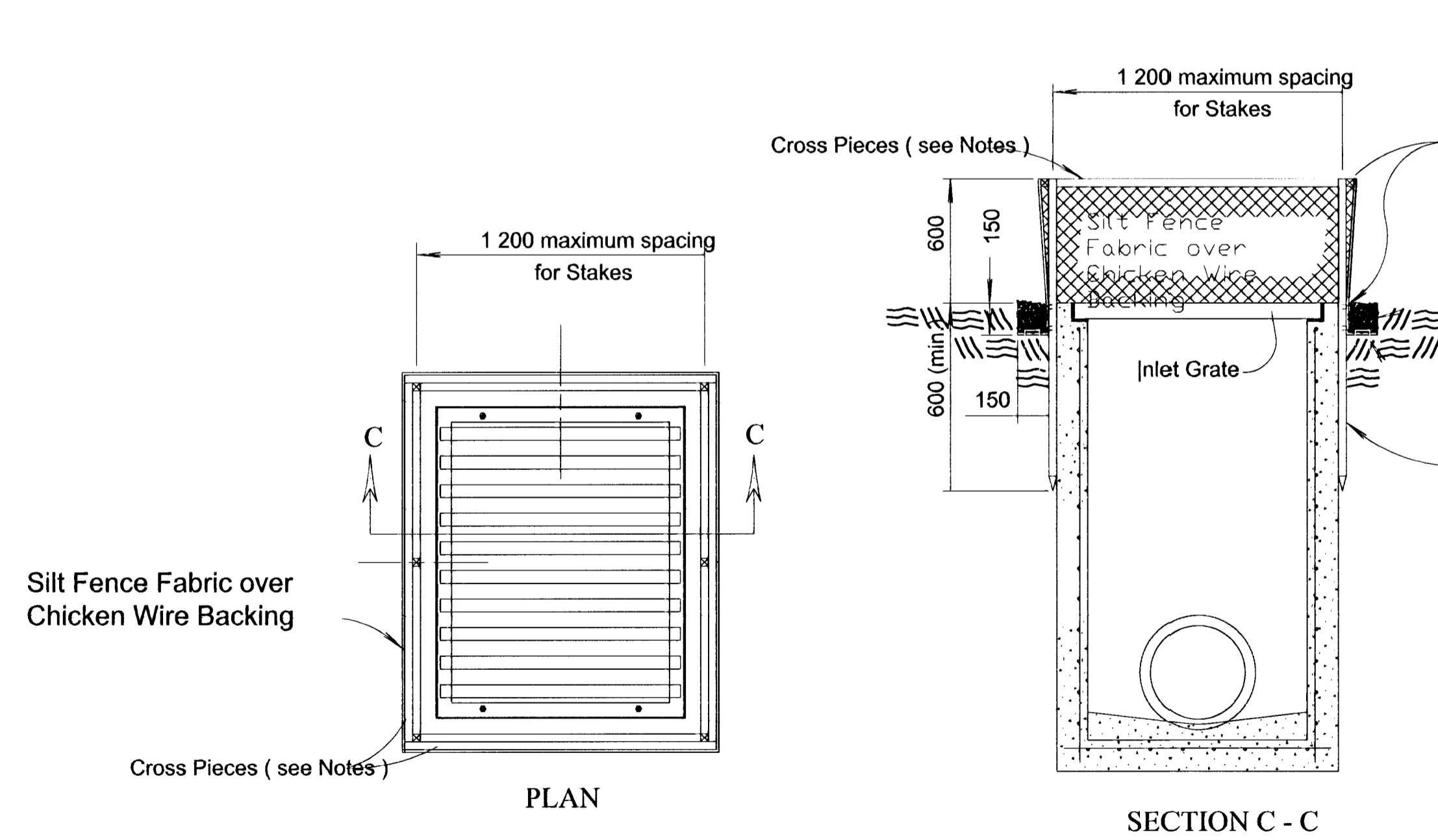


- STRAW OR HAY BALES:**
1. Place bales tightly together, with loose straw or hay wedged between bales to close off openings.
 2. Wood stakes shall be 50 mm x 50 mm (nom.) x 1 200 mm (min.) long.
 3. Refer to plans sheets to estimate the number of bales required.
 4. Use only twine to bind bales. The use of wire binding is prohibited because it does not readily biodegrade.



TEMPORARY INLET SEDIMENT BARRIER (STRAW OR HAY BALE METHOD)

NO SCALE



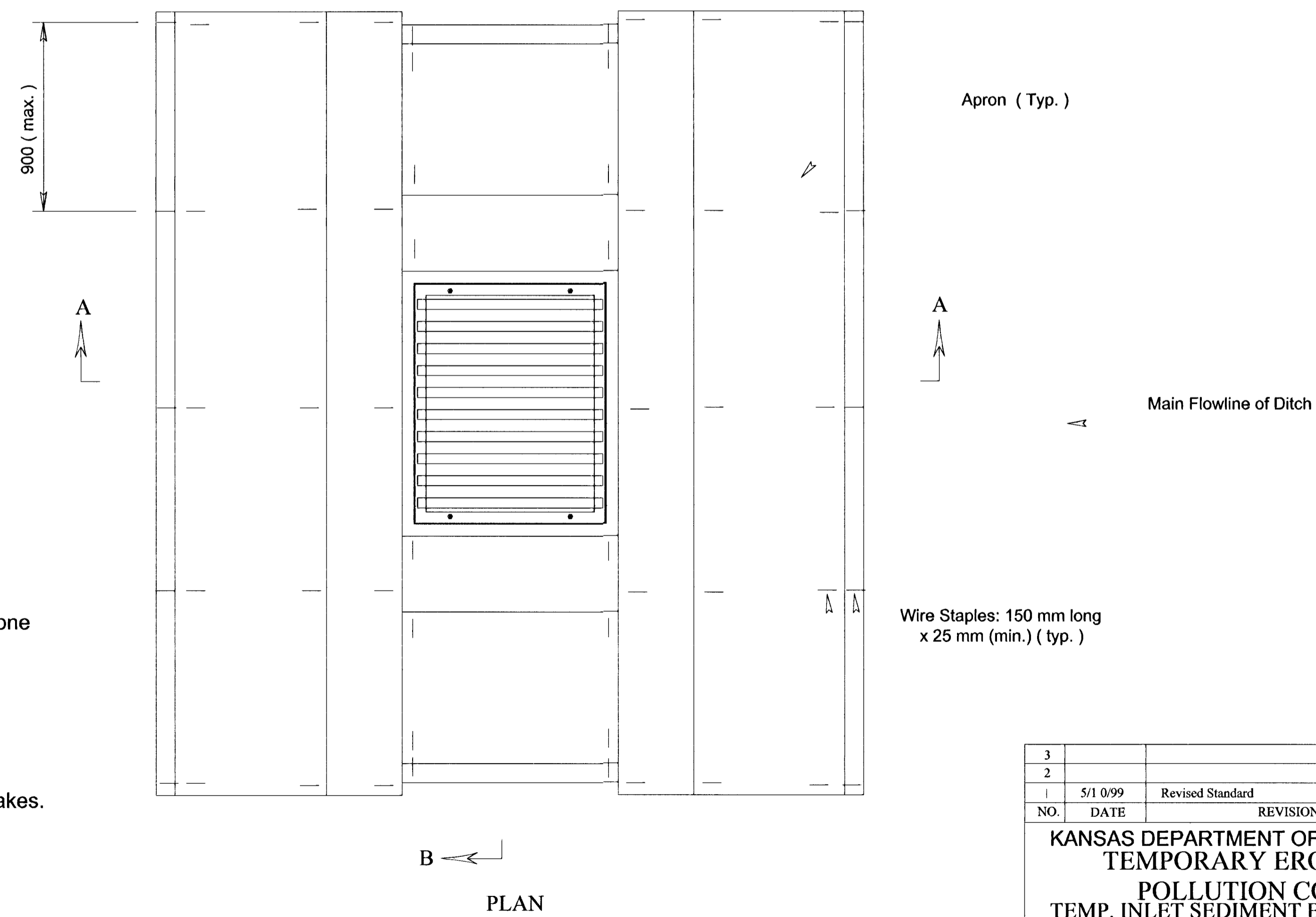
Attach Fence Fabric and Chicken Wire along Stakes and Cross Pieces on 150 mm centers (max.).

Soil or Gravel Backfill in Anchor Trench.
Wire Staples: 150 mm long x 25 mm (min.) @ 900 mm o/c

- SILT FENCE:**
1. Stakes shall be 1 200 mm (min.) long and of one of the following materials:
 - a. Hardwood - 30 mm x 30 mm;
 - b. Southern Pine (No. 2) - 65 mm x 65 mm;
 - c. Steel U, T, L, or C Section - 600 grams per 300 mm; or
 - d. Synthetic - same strength as wood stakes.
 2. Cross Pieces shall be of same material as Stakes.
 3. Attach fence fabric to stakes with staples, wire or nails.
 4. Refer to plan sheets to estimate the length of Silt Fence required.

TEMPORARY INLET SEDIMENT BARRIER (SILT FENCE METHOD)

NO SCALE



TEMPORARY INLET SEDIMENT BARRIER (TRIANGULAR SILT DIKE METHOD)

NO SCALE

NO.	DATE	REVISIONS	BY	APPD
3				
2				
1	5/1 0/99	Revised Standard	WCL	RDR

KANSAS DEPARTMENT OF TRANSPORTATION
 POLLUTION CONTROL
 TEMP. INLET SEDIMENT BARRIER (SILT FENCE)
 TEMP. INLET SEDIMENT BARRIER (BALES)
 TEMP. INLET SEDIMENT BARRIER (T.S.D.)
 LA852C SI

DESIGNED	WCL	QUANTITIES	WCL	TRACED	WCL
DESIGN CK.	RDR	DETAIL CK.	RDR	QUAN. CK.	RDR