

©2016  
 MKEC Engineering  
 All Rights Reserved  
 www.mkec.com  
 These drawings and their contents, including, but not limited to, all concepts, designs, & ideas are the exclusive property of MKEC Engineering (MKEC), and may not be used or reproduced in any way without the express consent of MKEC.

**TYPICAL SECTIONS**

PROJECT NO. 472-85213

DATE SEPT. 2016

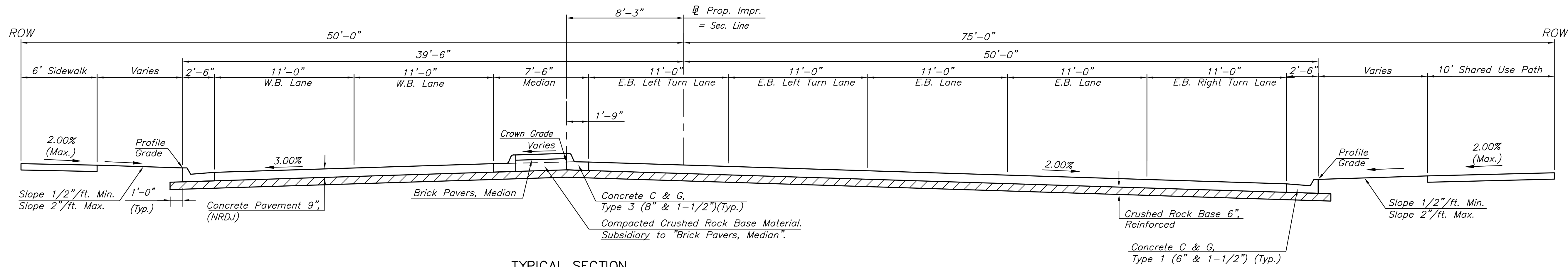
SCALE NO SCALE

DESIGNED DRAWN CHECKED  
 JRA LES JRA

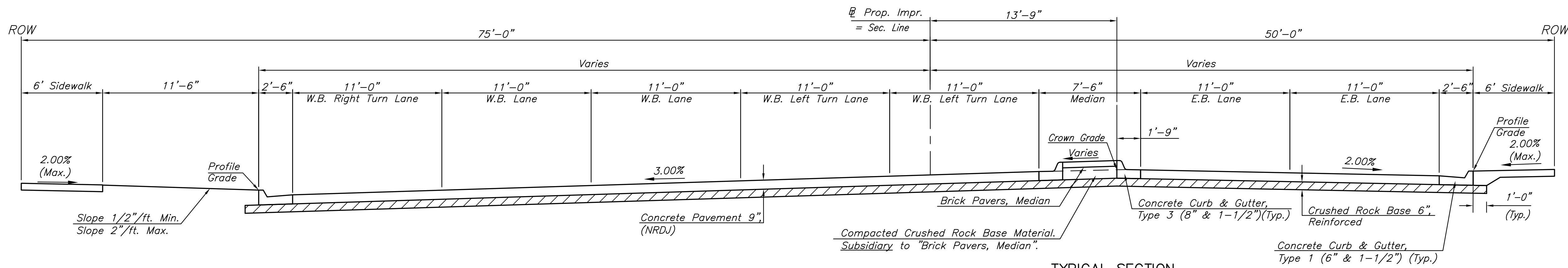
#	NO.	REVISION	DATE

SHEET NO.

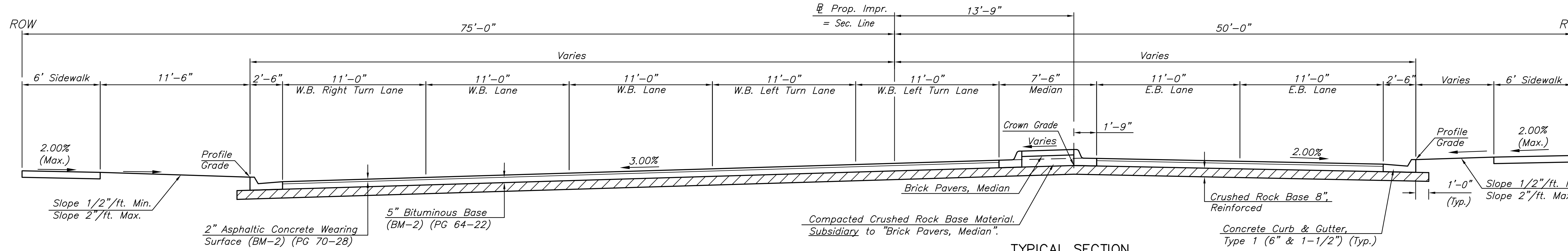
J:\PROJECTS\2016\150104078\_COW\_21ST & OLIVER\_XXXXXX CAD\SHS\505 CIVIL\PAV1517RES02.DWG  
 PLOTTED: Thursday, September 22, 2016 @ 11:32AM



TYPICAL SECTION  
 E. 21st St.: Sta. 27+91.00 to Sta. 28+97.95



TYPICAL SECTION  
 E. 21st St.: Sta. 31+00.91 to Sta. 31+96.66



TYPICAL SECTION  
 E. 21st St.: Sta. 31+96.66 to Sta. 33+00.43