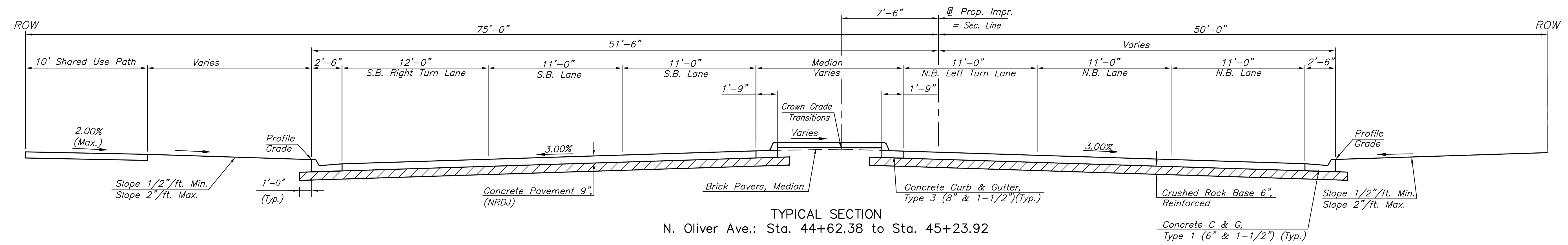


J:\PROJECTS\2016\191104078_COW_21ST & OLIVER_XXXXXX CAD\SHS\05 CIVIL\PAV1517RES.DWG
 PLOTTED: Thursday, September 22, 2016 @ 11:35AM

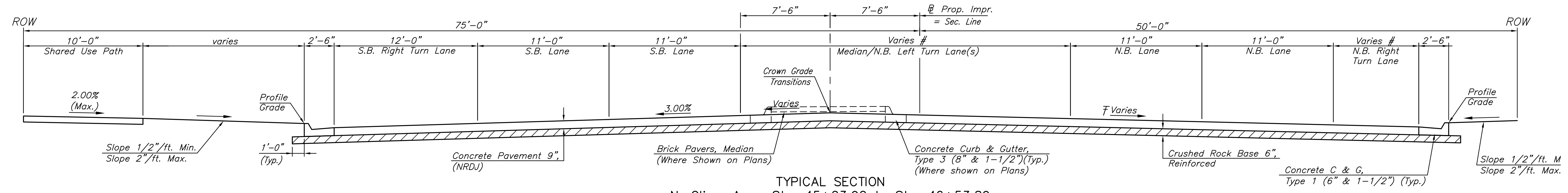
PAVING & INCIDENTAL DRAINAGE FOR
21ST & OLIVER INTERSECTION
 WICHITA, KANSAS

©2016 MKEC Engineering
 All Rights Reserved
 www.mkec.com
 These drawings and their contents, including, but not limited to, all concepts, designs, & ideas are the exclusive property of MKEC Engineering (MKEC), and may not be used or reproduced in any way without the express consent of MKEC.

TYPICAL SECTIONS		
PROJECT NO.	472-85213	
DATE	SEPT. 2016	
SCALE	NO SCALE	
DESIGNED	DRAWN	CHECKED
JRA	LES	JRA
#	----	#####
NO.	REVISION	DATE
SHEET NO.		
7 OF 125		

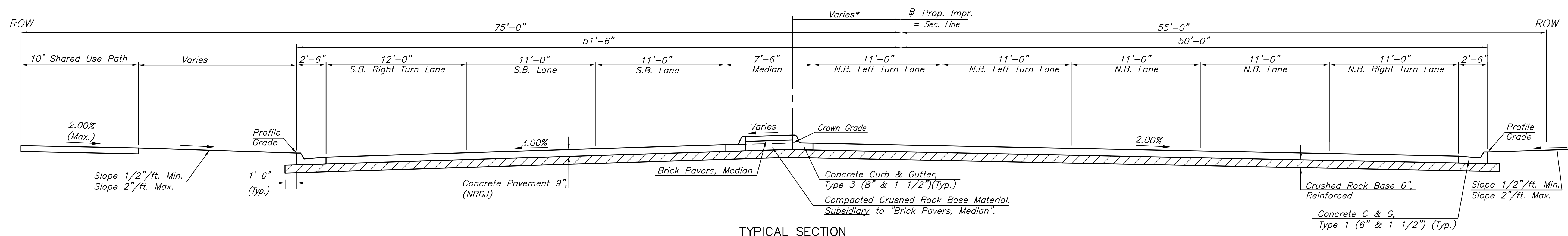


TYPICAL SECTION
 N. Oliver Ave.: Sta. 44+62.38 to Sta. 45+23.92



TYPICAL SECTION
 N. Oliver Ave.: Sta. 45+23.92 to Sta. 46+53.89

Median/N.B. Left Turn Lane(s) Width Varies from 24'-1"± at Sta. 45+23.92 to 29'-6" at Sta. 46+53.89
 N.B. Right Turn Lane Width Varies from 0'-0" at Sta. 45+23.92 to 11'-0" at Sta. 46+53.89
 F Right Cross Slope Varies from 3.00% at Sta. 45+55.86 to 2.00% at Sta. 46+53.89



TYPICAL SECTION
 N. Oliver Ave.: Sta. 46+53.89 to Sta. 48+98.45

* Crown Offset Varies from 7'-6" Lt. at Sta. 46+53.89 to 9'-0" Lt. at Sta. 46+58.89