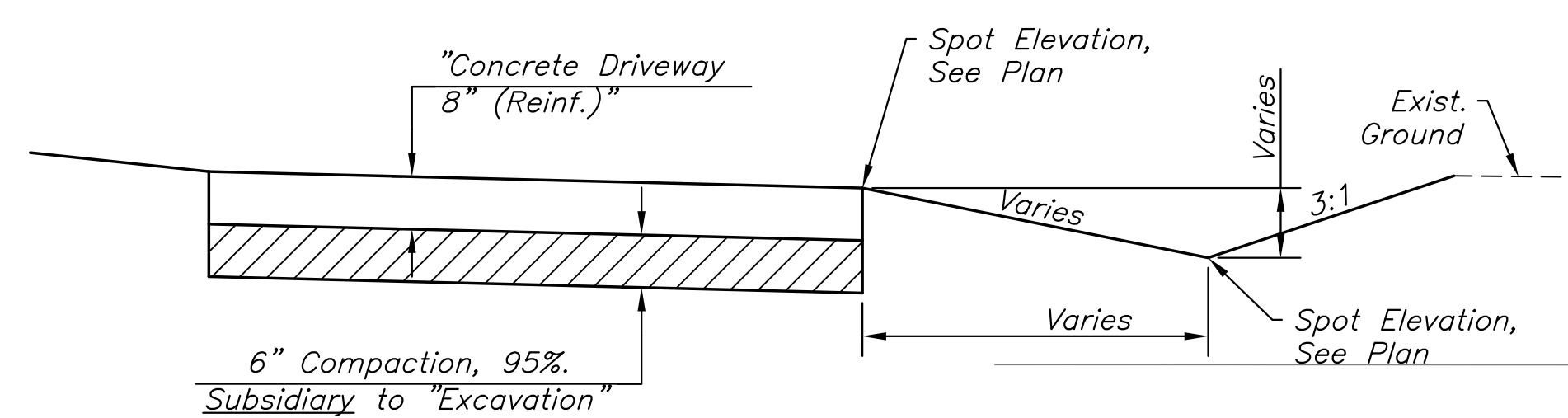
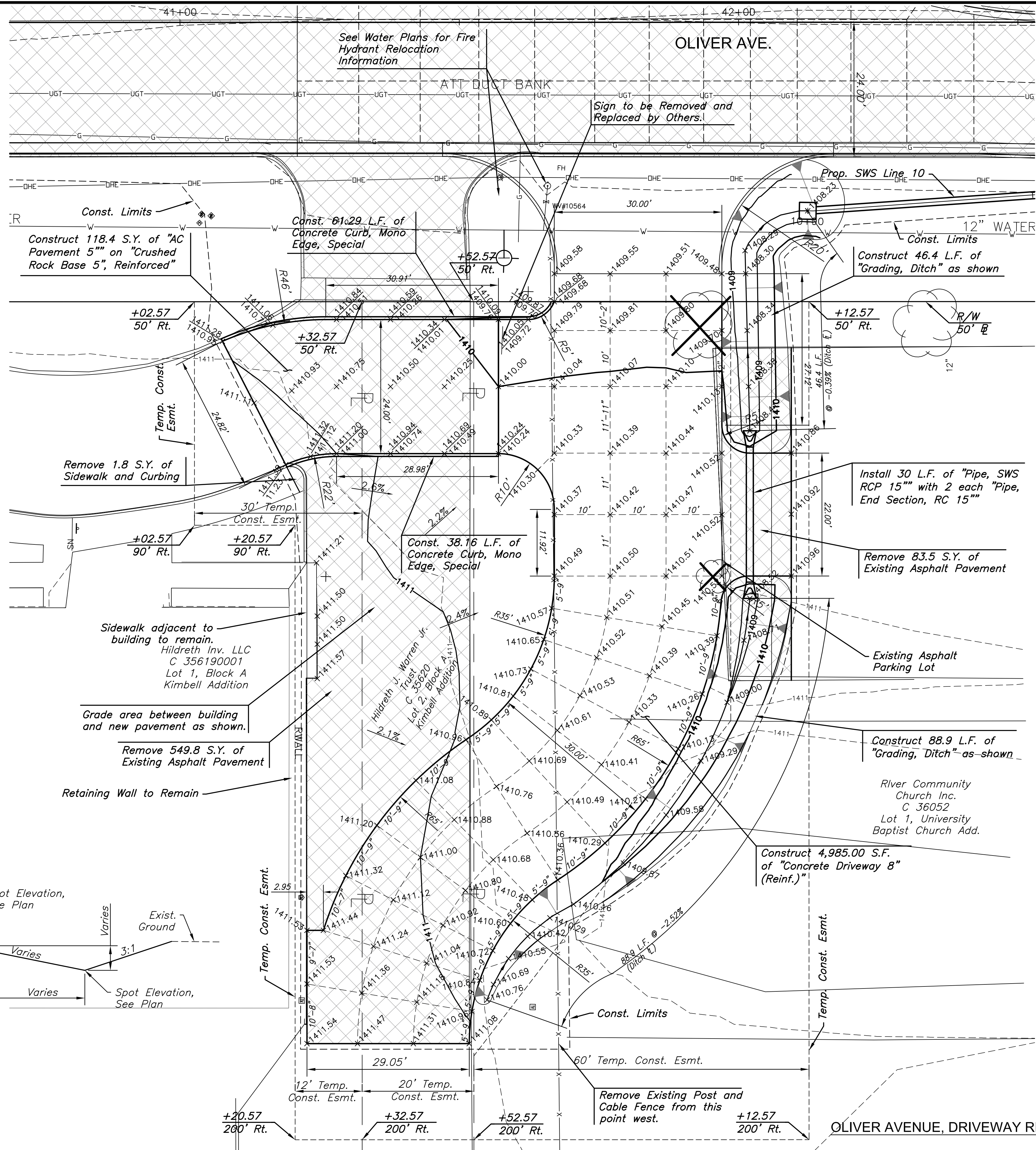


J:\PROJECTS\2016\191104078\_COW\_21ST & OLIVER\_XXXXXX CAD\SHITS\05 CIVIL\PAV1517REDD1.DWG  
 PLOTTED: Thursday, September 22, 2016 @ 01:19PM



TYPICAL DITCH SECTION



**LEGEND**

	Pavement Removal
	Tree Removal

STREET IMPROVEMENTS FOR  
**21ST & OLIVER INTERSECTION**  
 WICHITA, KANSAS

©2016  
 MKEC Engineering  
 All Rights Reserved  
 www.mkec.com  
 These drawings and their contents, including, but not limited to, all concepts, designs, & ideas are the exclusive property of MKEC Engineering (MKEC), and may not be used or reproduced in any way without the express consent of MKEC.

**SPECIAL GRADING PLAN - OLIVER STA. 41+82.00**

PROJECT NO.	472-85213	
DATE	SEPT. 2016	
SCALE	1"=10'	
DESIGNED	DRAWN	CHECKED
JRA	WNJ	JRA

NO.	REVISION	DATE