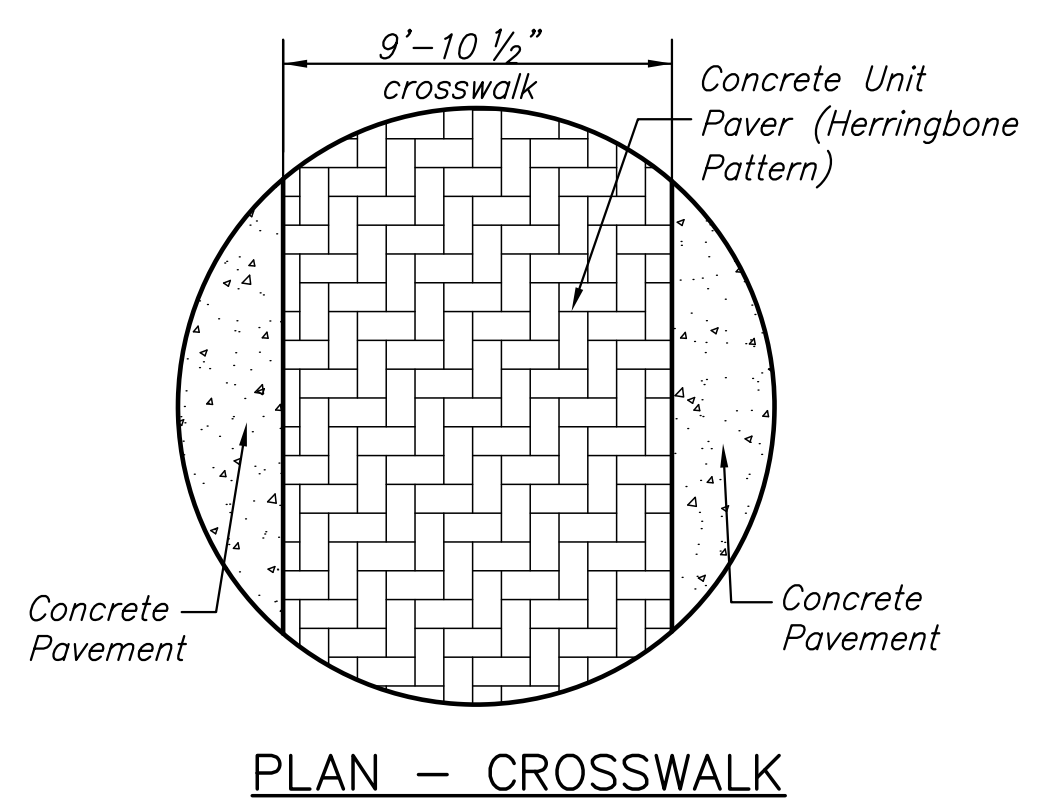


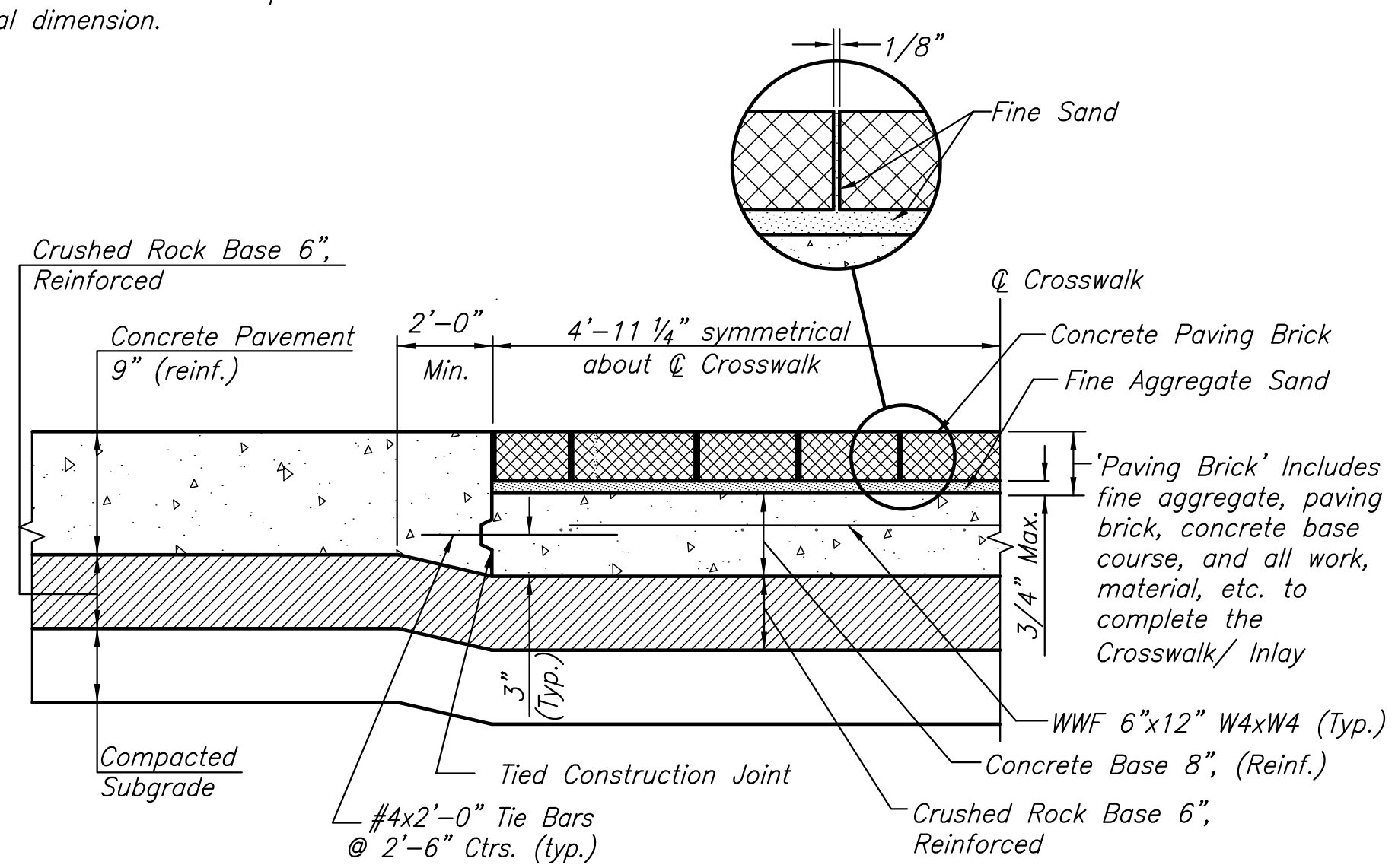
J:\PROJECTS\2016\150104078_COW_21ST & OLIVER_XXXXX CAD\SHS\05 CIVIL\PAV1517RED15.DWG
 PLOTTED: Thursday, September 22, 2016 @ 02:19PM



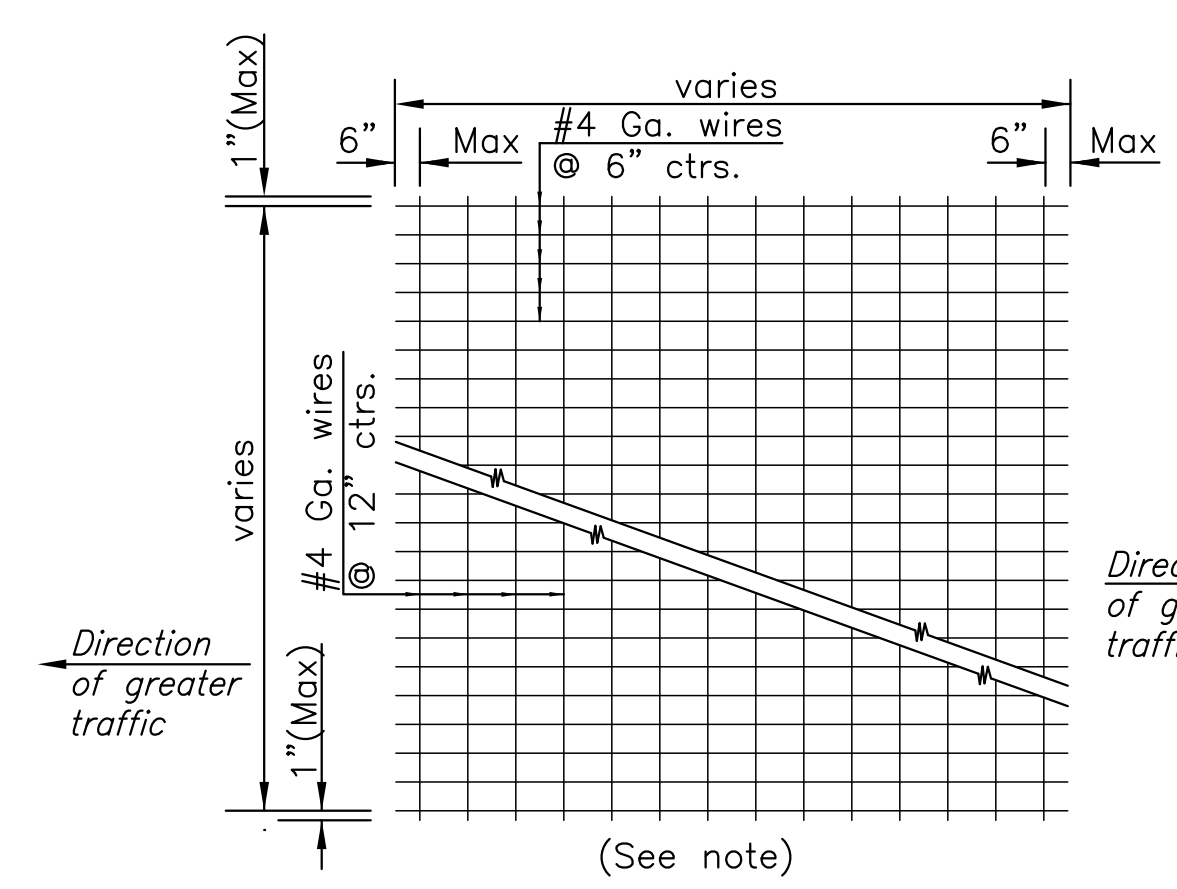
PLAN - CROSSWALK

CROSSWALK NOTES:

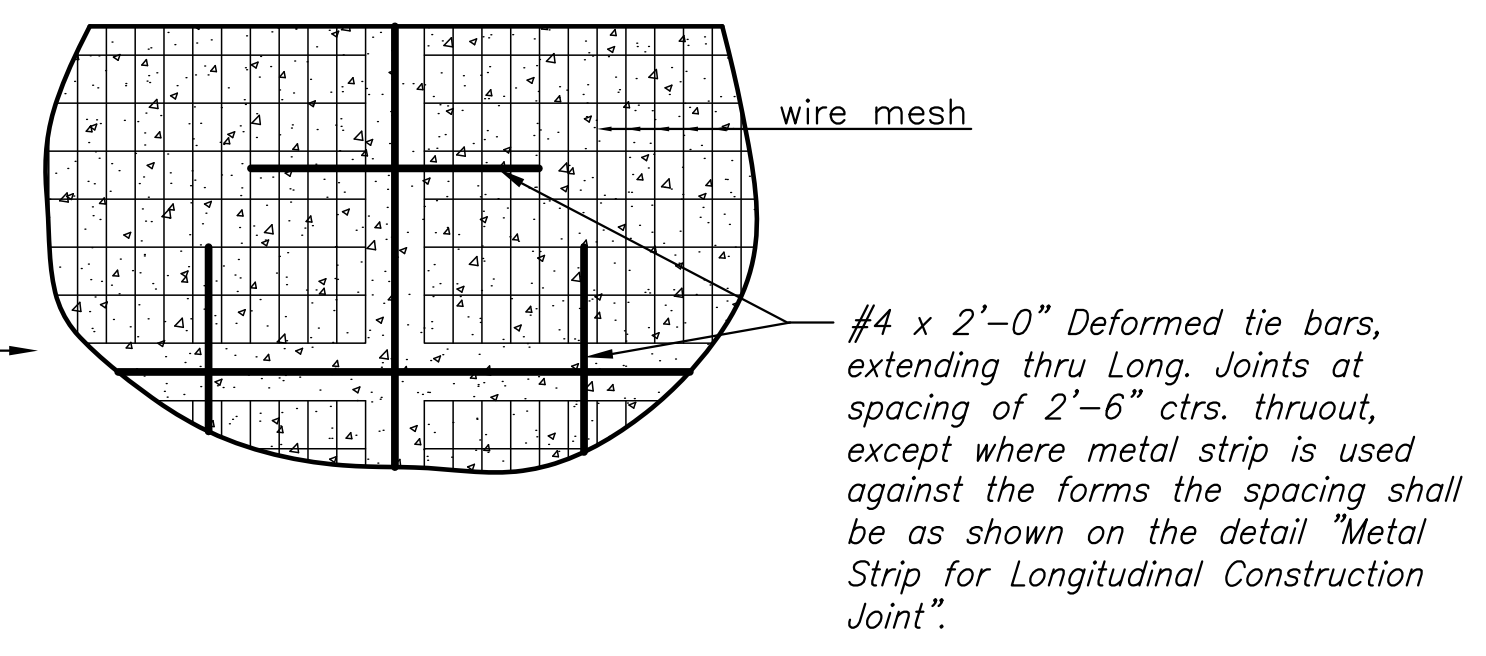
- Concrete unit pavers shall meet or exceed ASTM C 936. The style shall be "Holland Stone" (4"x8"x3 1/8") as manufactured by Pavestone, Inc., or equal as approved by the engineer. Color shall be "charcoal red" and laying pattern shall be herringbone. Payment shall be at the contract bid price per square foot for "Brick Pavers, Crosswalk".
- 8 inch concrete pavement base course shall be paid for separate as "Concrete Base 8" (reinf.)".
- Sand bedding shall meet the specification requirements for fine aggregate. An uncompacted sand laying course shall be spread evenly over the area to be paved and then screeded to a level of approximately 3/4" max. thickness. Once screeded and leveled to the desired elevation, the sand laying course shall not be disturbed in any way.
- The paving brick shall be installed in a herringbone pattern as shown in the plan. Stones shall be placed with the chamfered side up, and joint spaces kept uniform approximately 1/8 inch thick. The gaps at the edge of the paved surface shall be filled with stones cut to fit. Cutting shall be accomplished to leave a clean edge toward the traffic surface, using a masonry saw. Whenever possible, no cuts should result with a paver less than one-third of its original dimension.
- Paving brick shall be vibrated to their final level in the sand laying course by two or three passes of a vibrating compactor capable of 3000 to 5000 pounds compaction force with the surface clean and joints open.
- After vibration, clean concrete sand shall be spread over the paving stone surface, allowed to dry, and vibrated into the joints with additional passes of the plate vibrator so as to completely fill the joints. A light coating of sand shall be swept over the completed surface and left to weather in.
- Warp Flowline of Gutter as necessary in curb return of Intersection to avoid creating sumps.



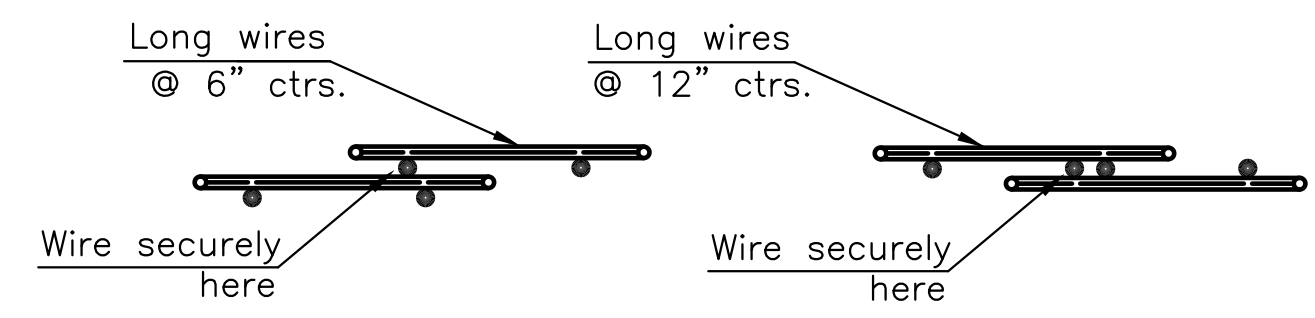
CROSSWALK DETAILS



TYPICAL SHEET OF WELDED WIRE MESH

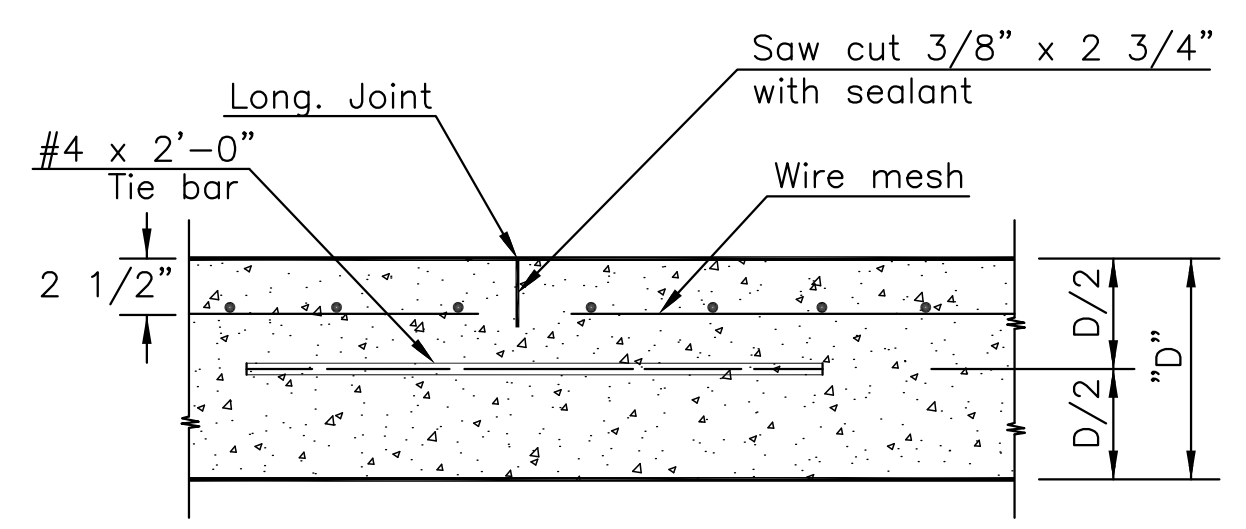


WIRE MESH AND TIE BAR PLACEMENT



DETAIL OF LAP FOR WIRE MESH

NOTE:
 The lap shall extend beyond the first transverse wire of each sheet. The sheets shall be wired securely at the edges and at intervals not to exceed 2'-6" for the full width of the sheet. Approx. weight of wire mesh = 44 lbs. per 100 sq. ft. Other methods for fastening the sheets of wire mesh at the laps may be used with the approval of the Engineer.



TIED CONSTRUCTION JOINT DETAIL (ARTERIAL INTERSECTIONS)

NOTE:
 Longitudinal joint formed by sawing 2 3/4" deep and 3/8" wide and filled as specified in standard specifications.

©2016 MKEC Engineering All Rights Reserved www.mkec.com
 These drawings and their contents, including, but not limited to, all concepts, designs, & ideas are the exclusive property of MKEC Engineering (MKEC), and may not be used or reproduced in any way without the express consent of MKEC.

CONCRETE INTERSECTION DETAILS

PROJECT NO.	472-85213	
DATE	SEPT. 2016	
SCALE	AS SHOWN	
DESIGNED	DRAWN	CHECKED
JRA	LES	JRA

NO.	REVISION	DATE

SHEET NO.