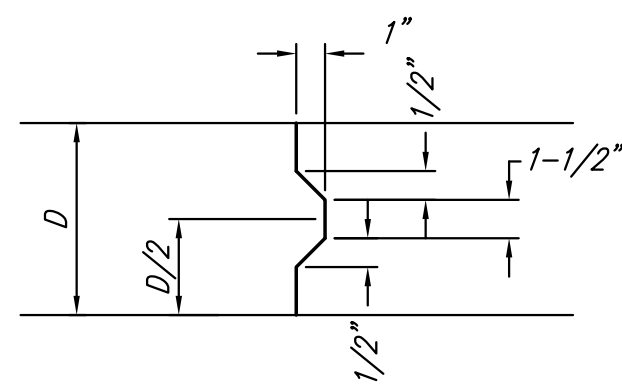
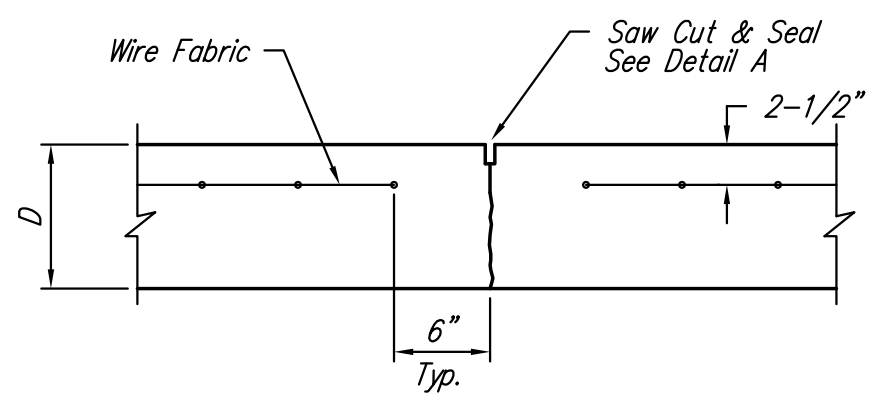


EXPANSION JOINT

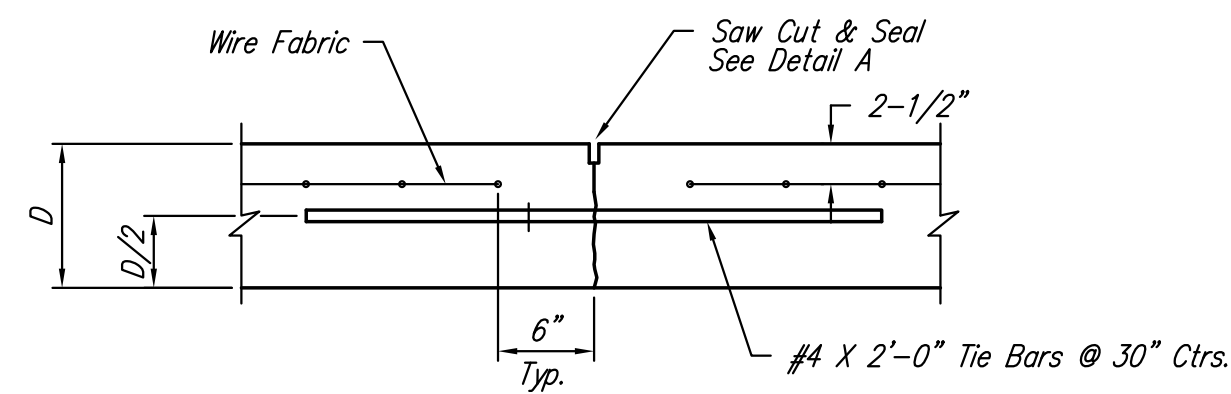
NOTE: Extra Thickness to be Subsidiary to Price of Square Yards Pavement



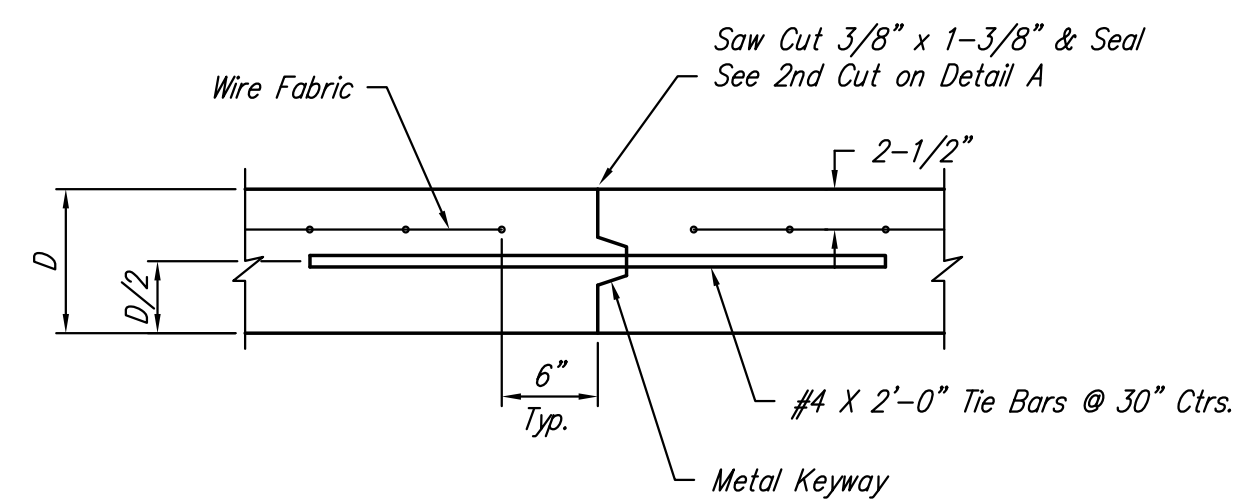
KEYWAY DETAIL



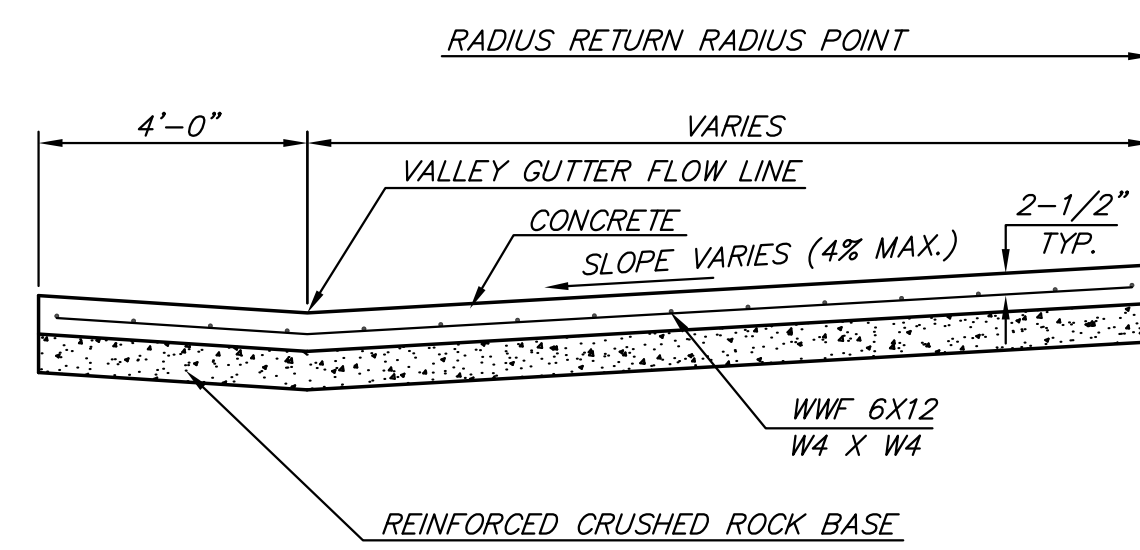
CONTRACTION JOINT DETAIL (C.J.)



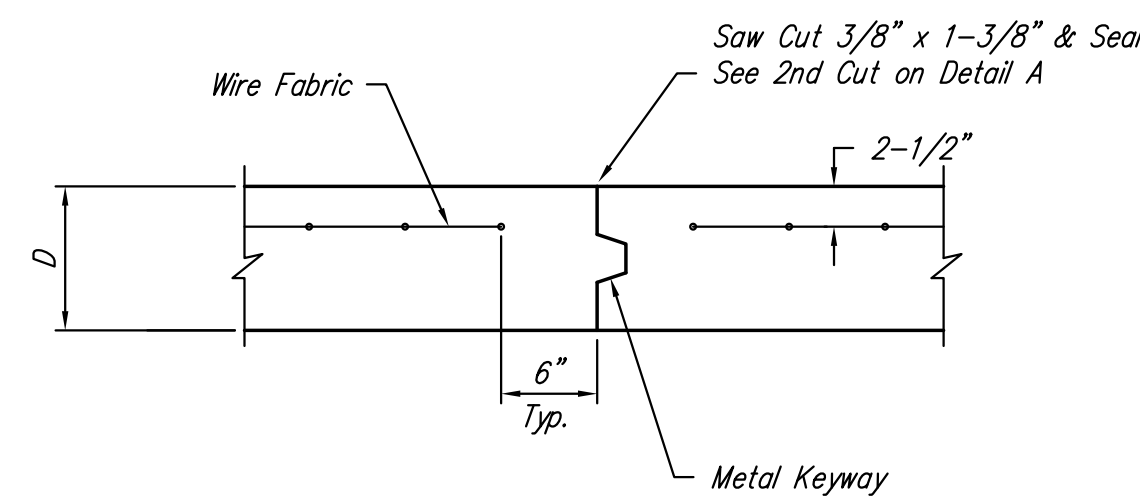
LONGITUDINAL JOINT DETAIL (L.J.)



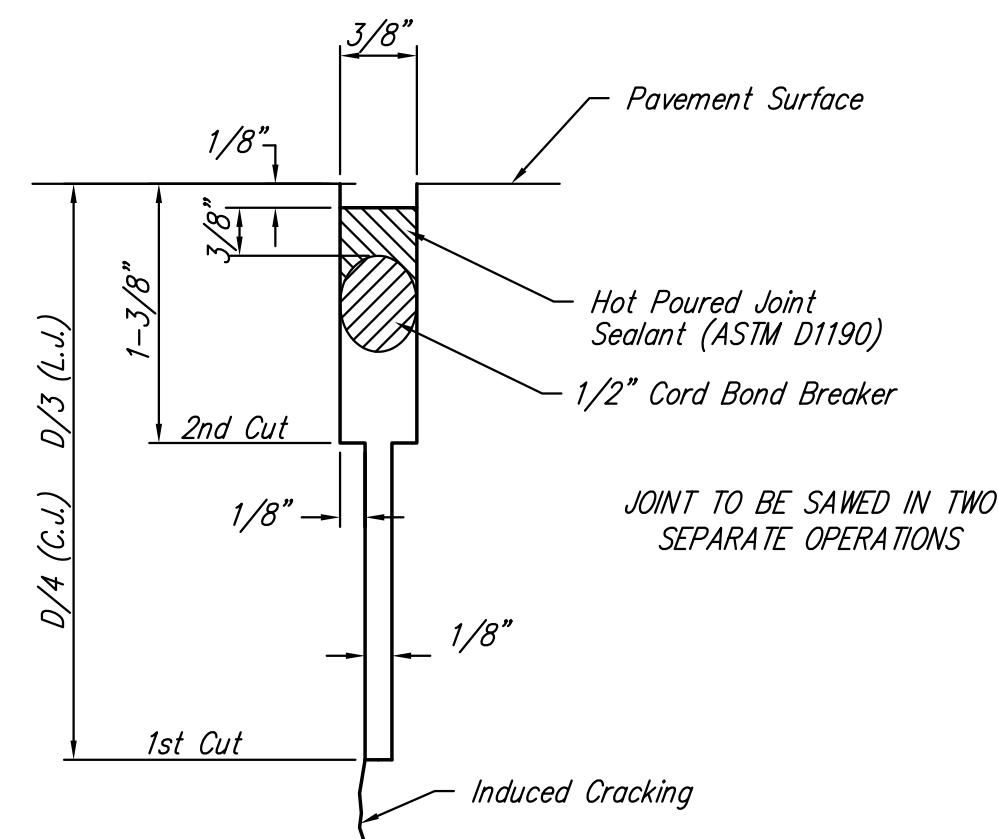
OPTIONAL LONGITUDINAL JOINT DETAIL (L.J.)



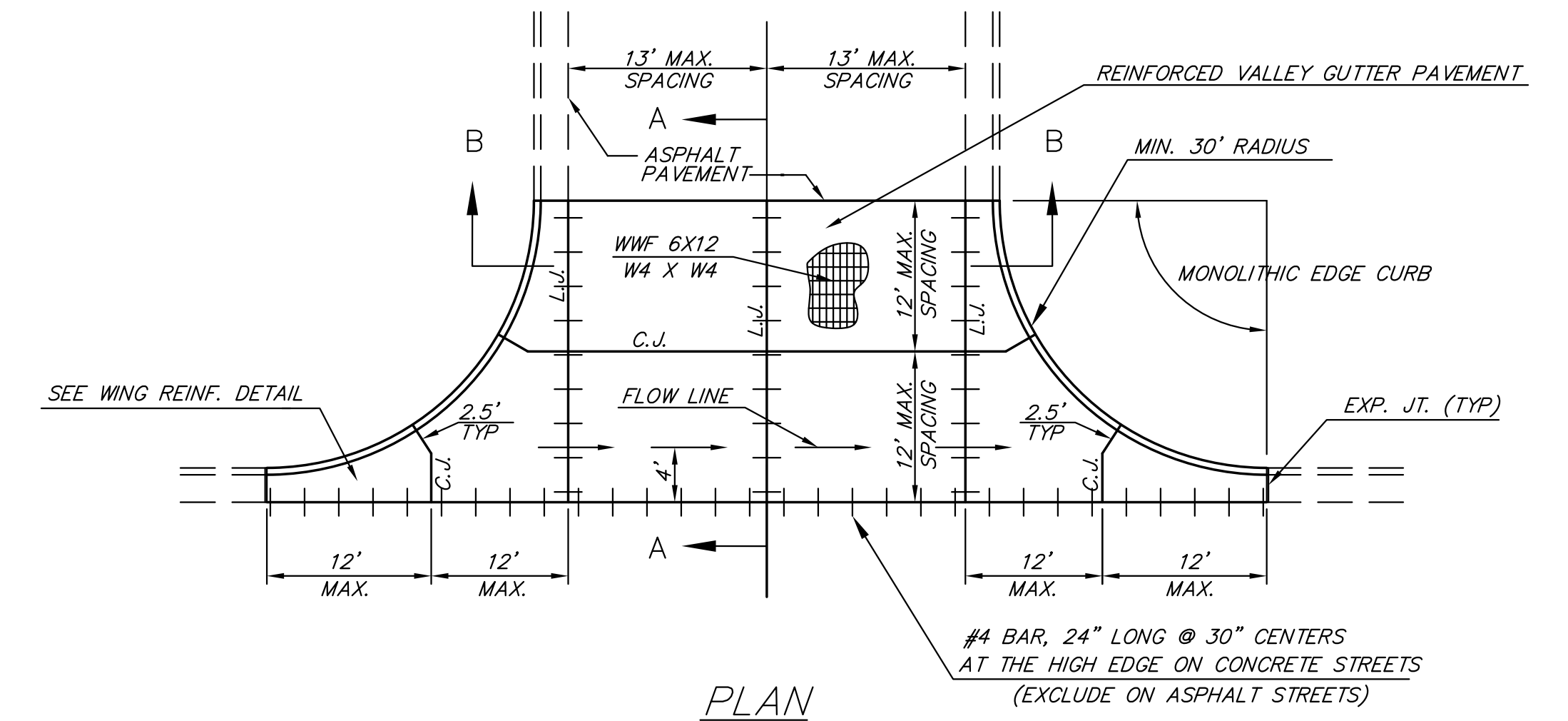
SECTION A-A



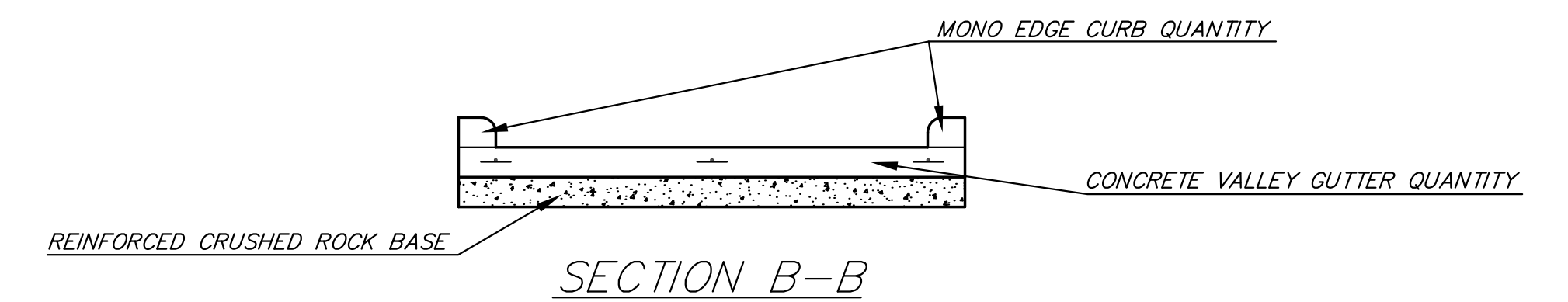
OPTIONAL CONTRACTION JOINT



SAW JOINT DETAIL (DETAIL A)

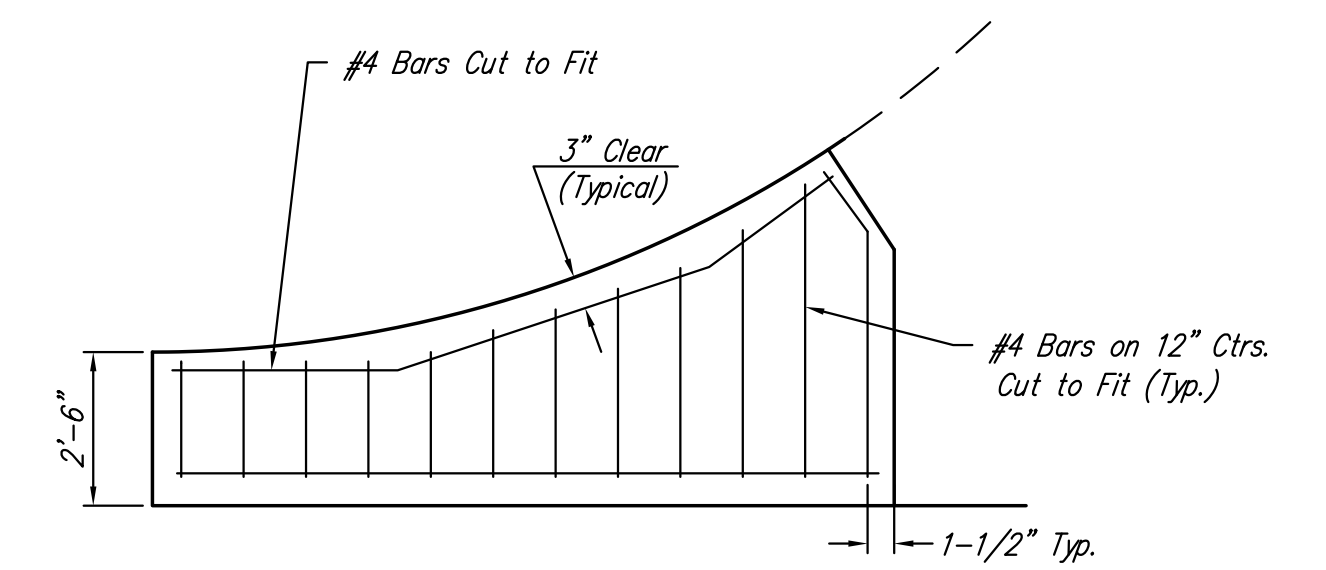


PLAN



SECTION B-B

REINFORCED VALLEY GUTTER DETAIL



WING REINFORCING DETAIL



VALLEY GUTTER DETAILS

CITY ENGINEER GARY JANZEN, P.E.		
PROJECT NUMBER 472-85213	OCA NUMBER 707089	DATE SEPT. 2016
CITY ENGINEER'S OFFICE CITY HALL - SEVENTH FLOOR 455 NORTH MAIN STREET WICHITA, KANSAS 67202-1620 (316) 268-4501		SHEET 43 OF 125

REVISED: NOVEMBER 2015