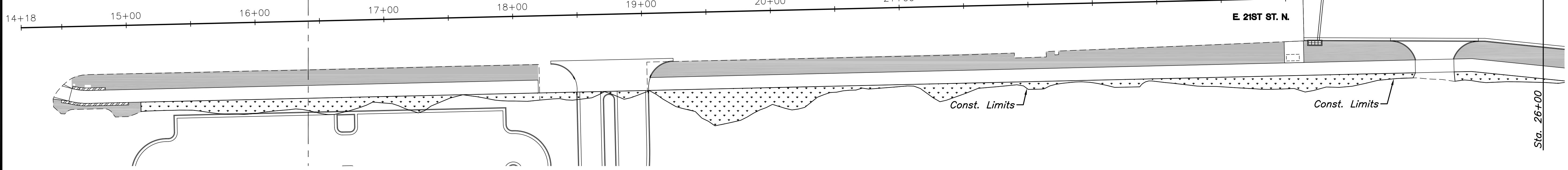
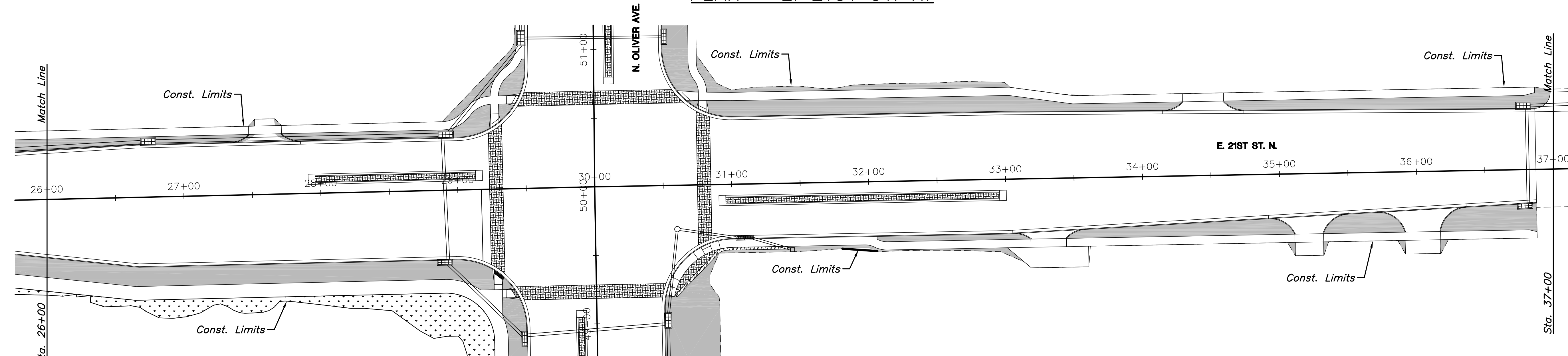


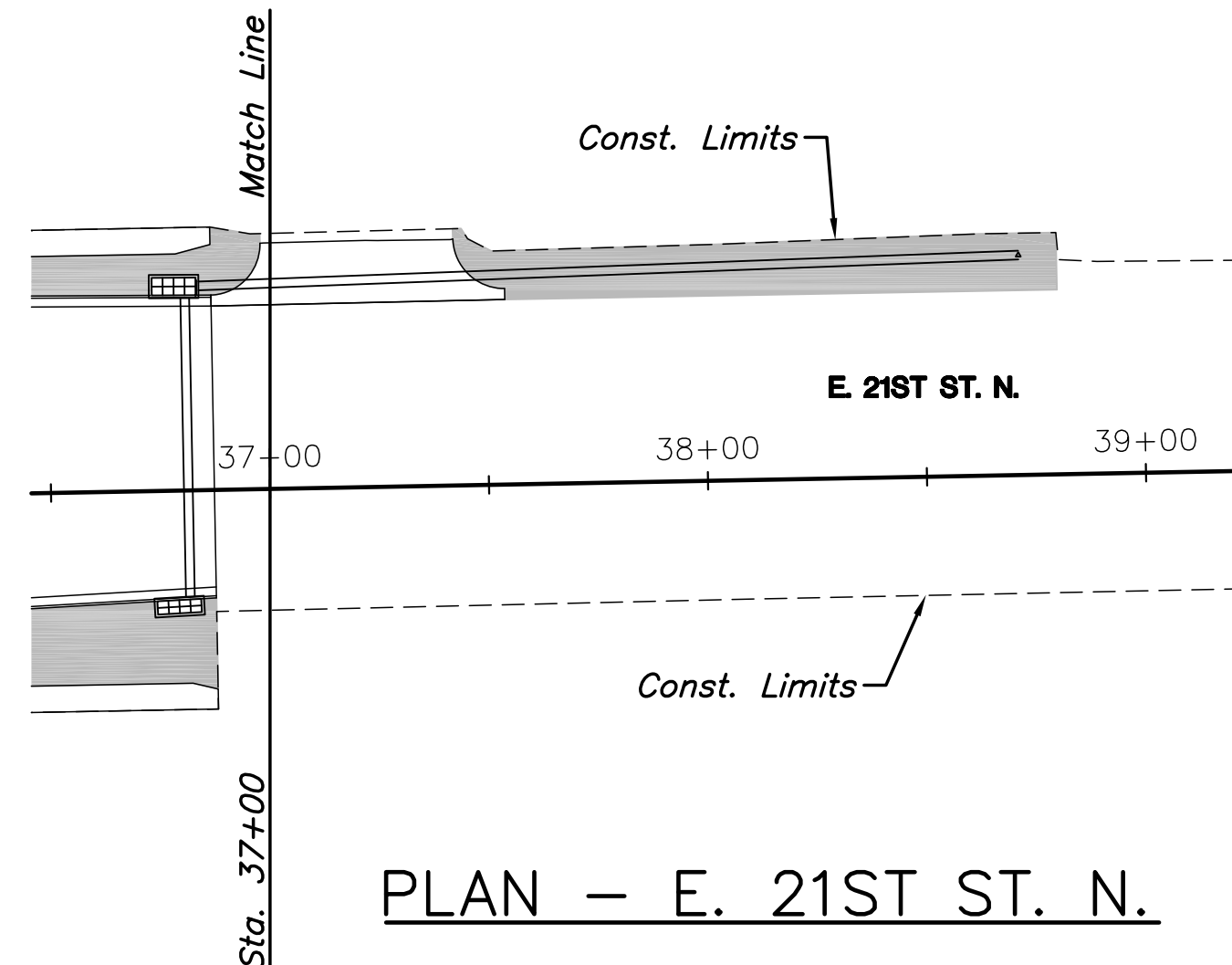
PLOTTED: Thursday, September 22, 2016 @ 03:40PM



PLAN - E. 21ST ST. N.



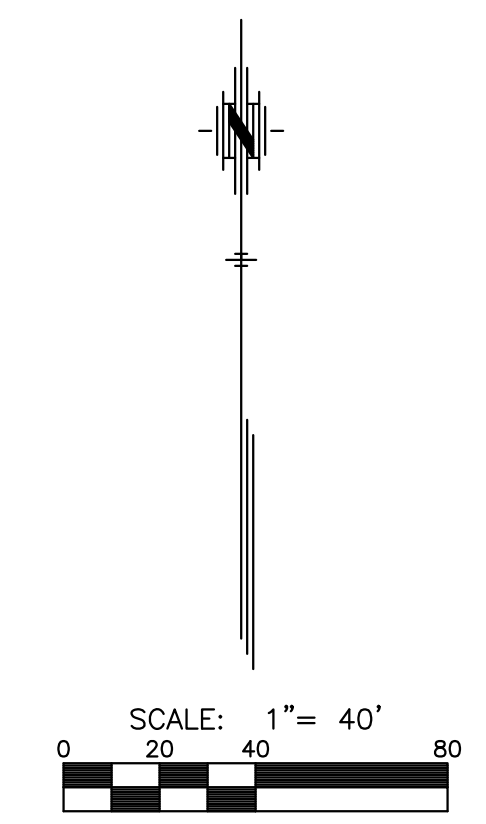
PLAN - E. 21ST ST. N.



PLAN - E. 21ST ST. N.

NOTE:
 TEMPORARY SEEDING IS ONLY NECESSARY IF CONTRACTOR HAS PERFORMED GRADING IN THESE AREAS AND WSU CONTRACTOR IS NOT EXPECTING TO RE-GRADE SAME AREAS WITHIN THE FOLLOWING MONTH. TEMPORARY SEED IS SUBSIDIARY TO "SITE RESTORATION."

ROADSIDE IMPROVEMENTS SUMMARY (FOR INFORMATION ONLY)	
PROJECT PORTION	AREA (AC)
PROJECT TOTAL TEMPORARY SEED	0.37
PROJECT TOTAL BUFFALO SOD	0.07
PROJECT TOTAL SOD, MATCH EXISTING	1.74
PROJECT TOTAL SOD	1.81



- LEGEND**
- BUFFALO SOD
 - TEMPORARY SEED AREAS
 - SOD, MATCH EXISTING TYPE
 - BRICK PAVERS
 - RETAINING WALL

J:\PROJECTS\2016\150104078_COW_21ST & OLIVER_XXXXXX CAD\SHOTS\05 CIVIL\ROAD IMPROV\15176810.DWG



STREET IMPROVEMENTS FOR
21ST & OLIVER INTERSECTION
 WICHITA, KANSAS

©2016 MKEC Engineering All Rights Reserved www.mkec.com
 These drawings and their contents, including, but not limited to, all concepts, designs, & ideas are the exclusive property of MKEC Engineering (MKEC), and may not be used or reproduced in any way without the express consent of MKEC.

ROADSIDE IMPROVEMENTS

PROJECT NO.	472-85213	
DATE	SEPT. 2016	
SCALE	AS SHOWN	
DESIGNED	DRAWN	CHECKED
LES	LES	JRA
#	---	##/###/##
NO.	REVISION	DATE