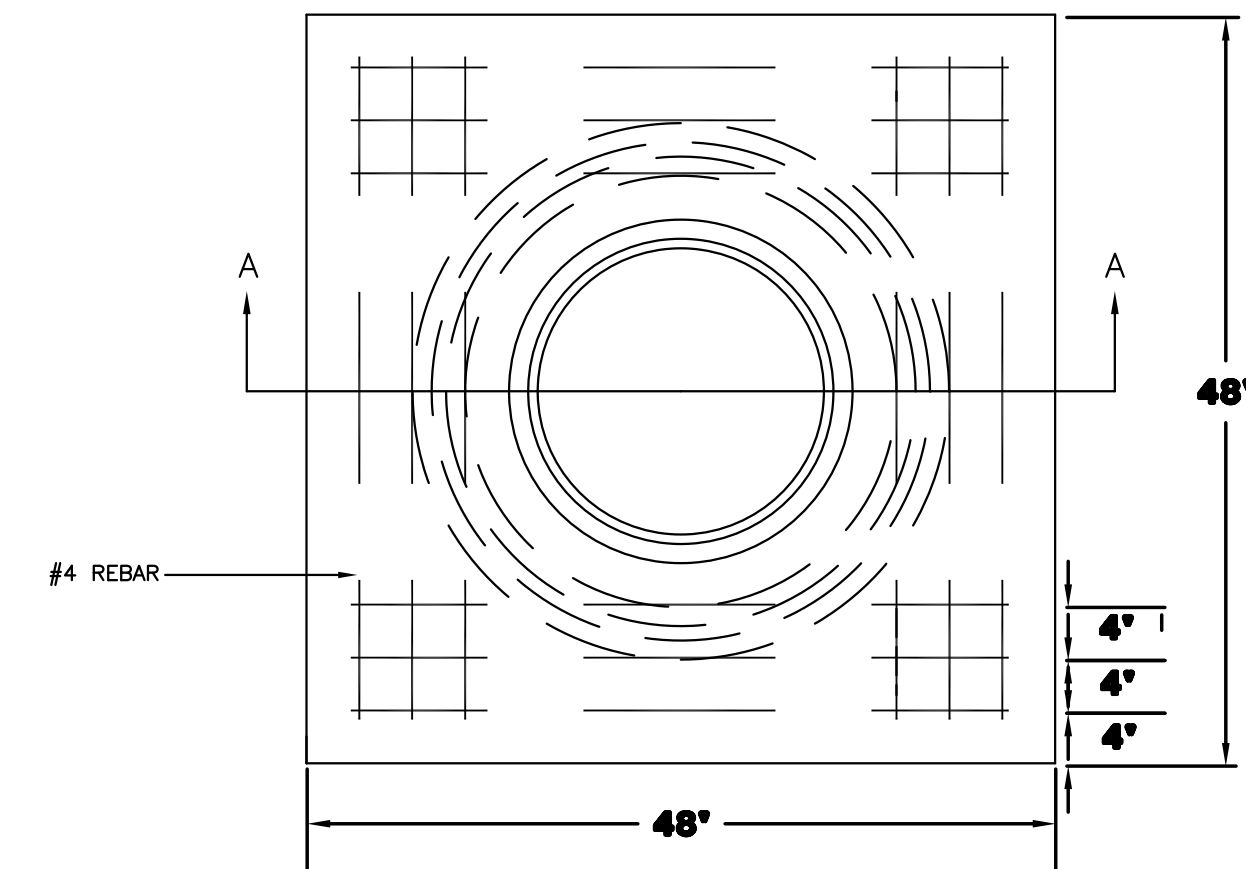
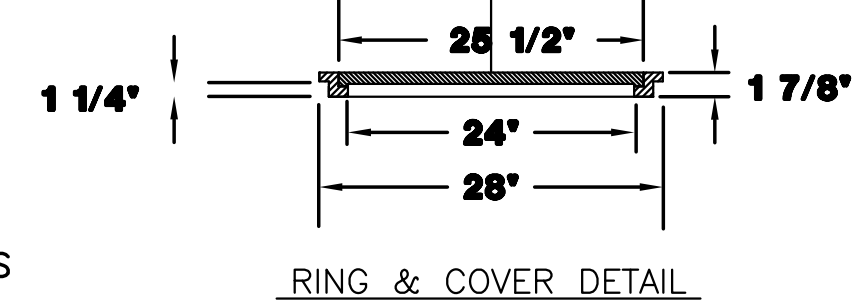
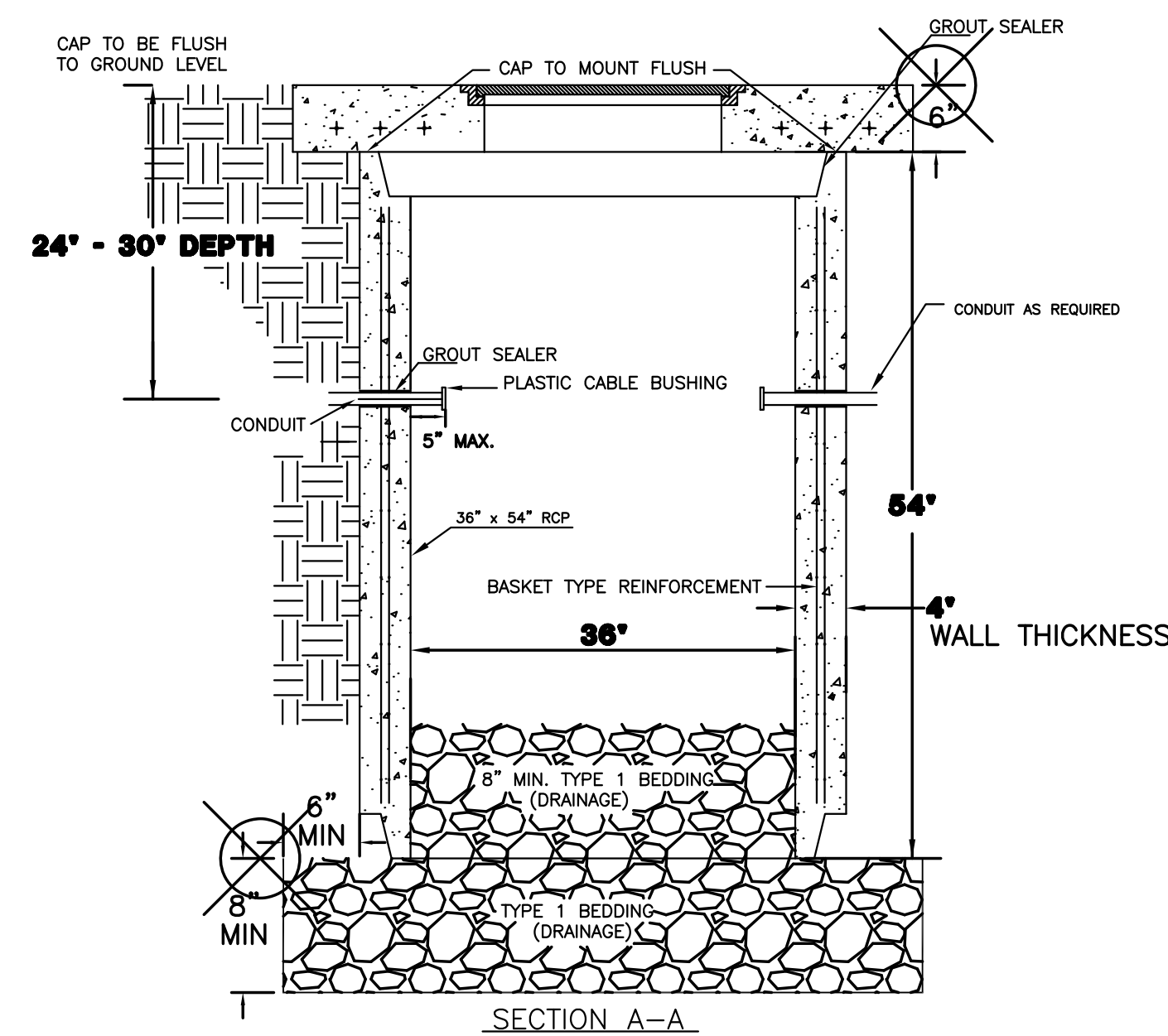
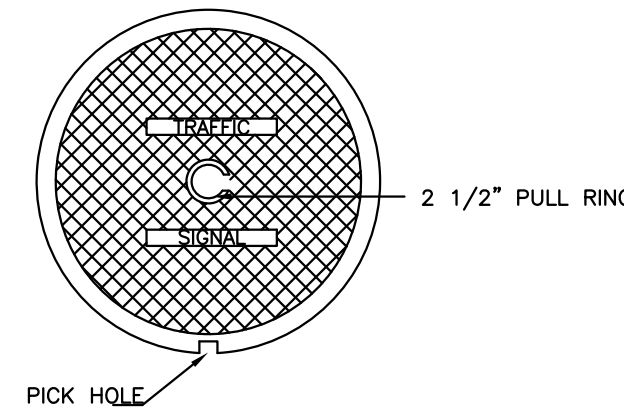


PLOTED: Friday, September 16, 2016 @ 12:22PM

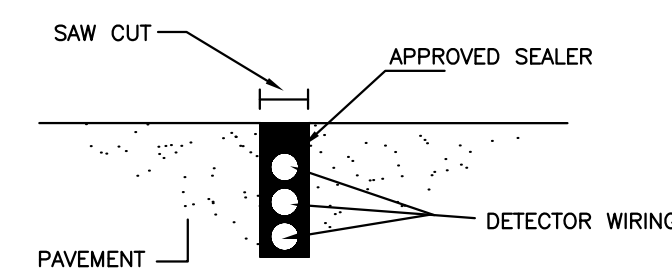
## SERVICE BOX CONSTRUCTION/INSTALLATION DETAILS



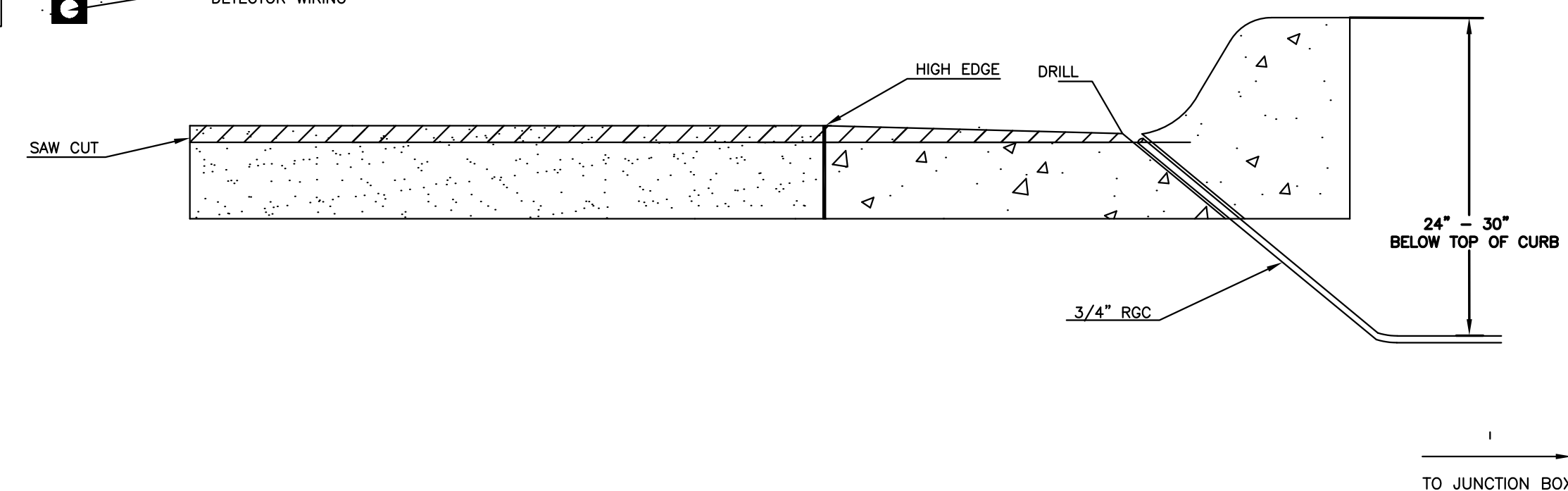
PRE-CAST CONCRETE SERVICE BOX  
(36" I.D. X 54" RCP)  
with 6" CAP



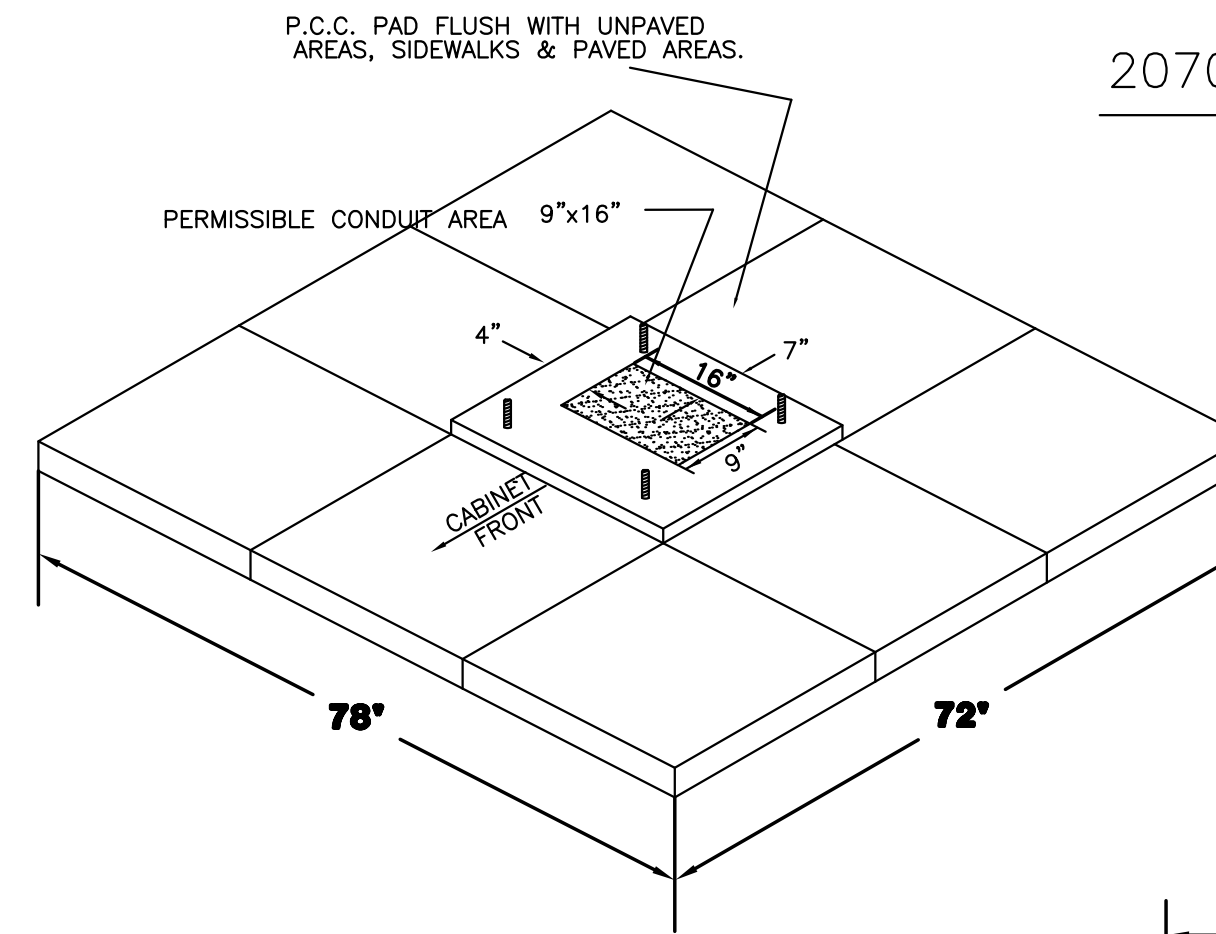
## CONDUIT/DETECTOR WIRE INSTALLATION DETAILS



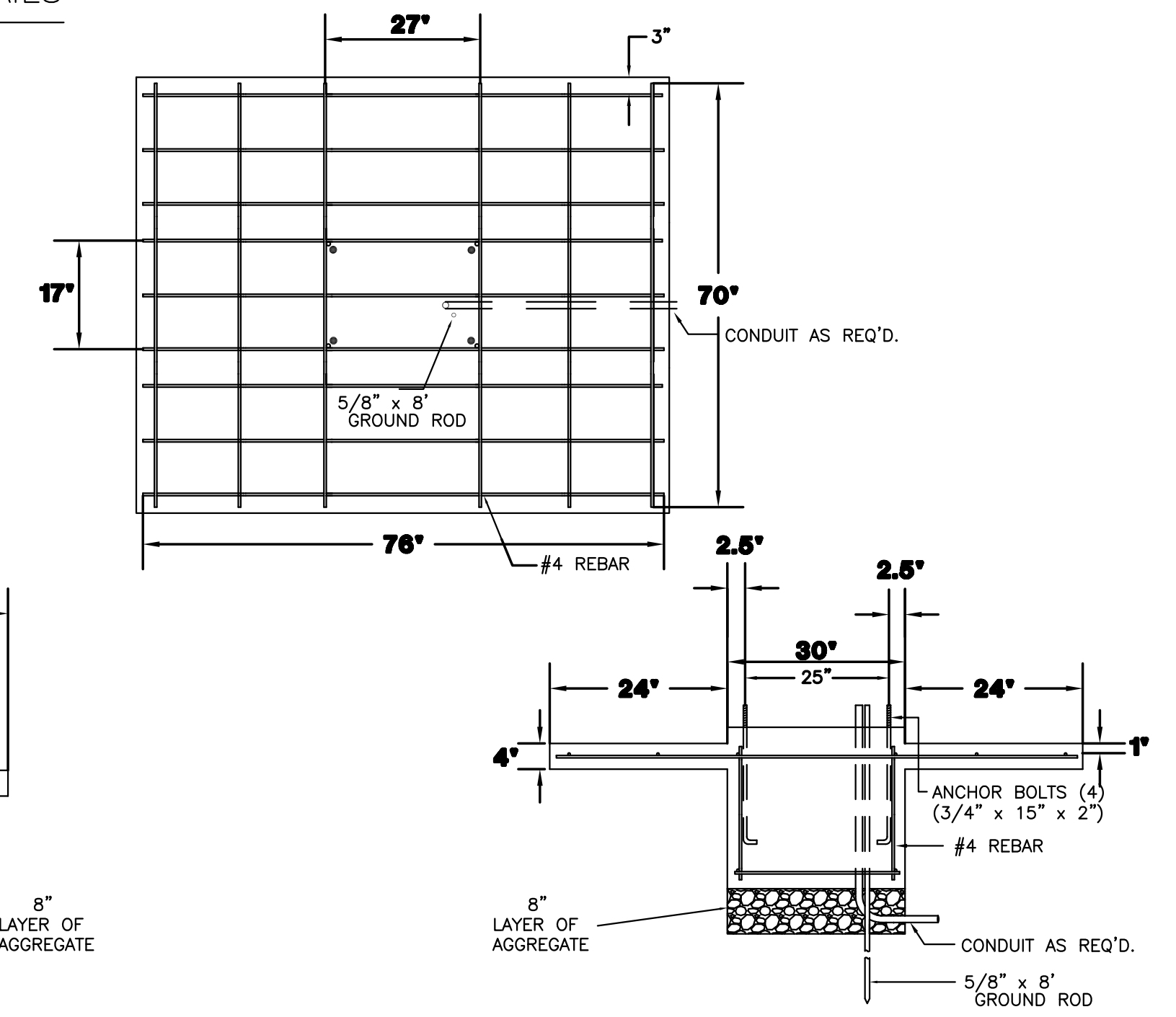
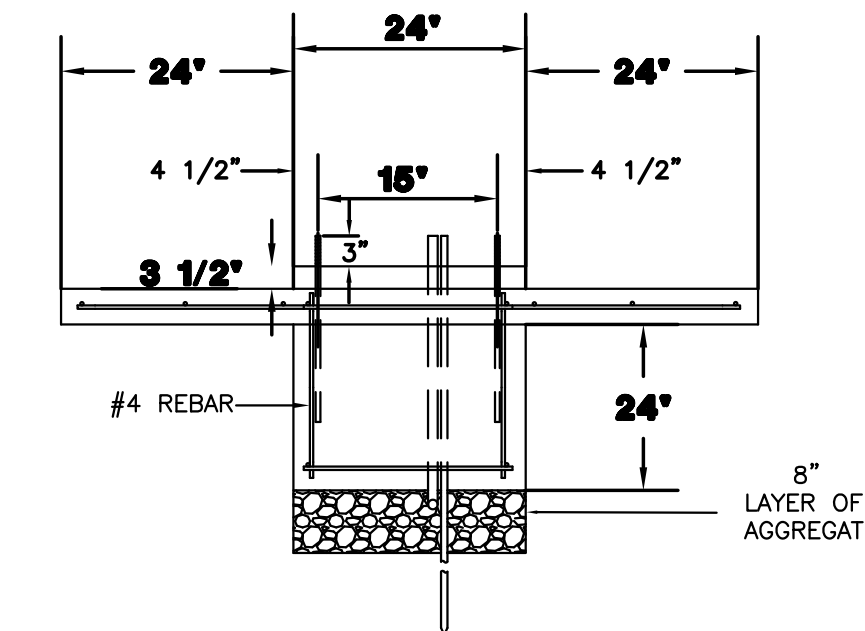
STD. CURB & GUTTER



## 2070 CONTROLLER PAD DETAILS

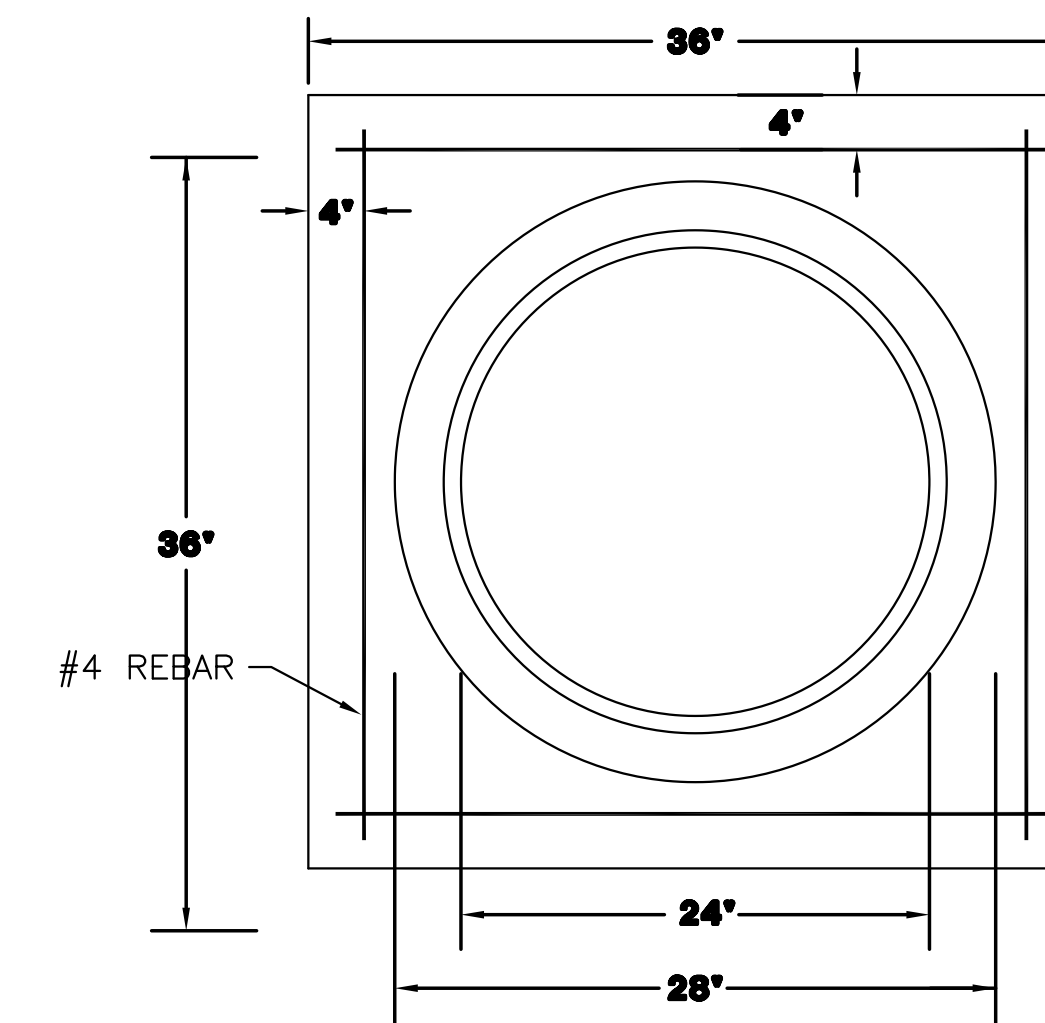
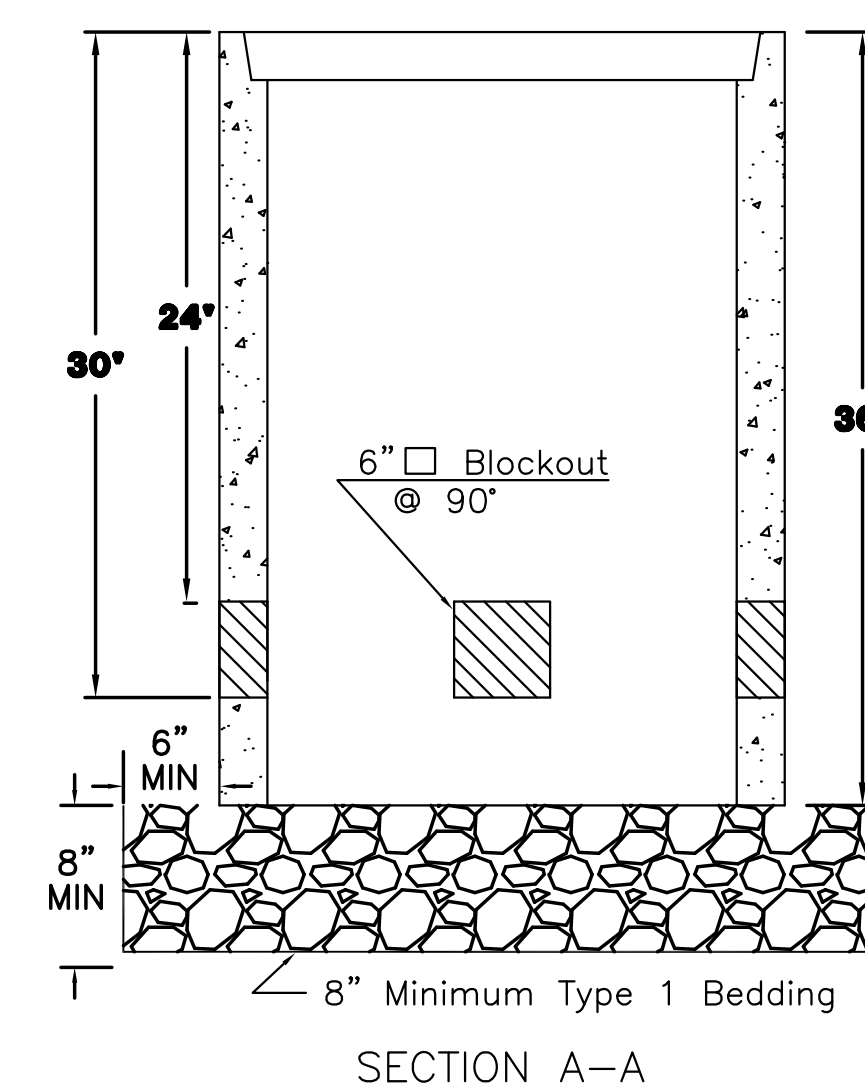


REBAR SHALL BE ASTM A615M GRADE 300 MEETING THE REQUIREMENTS OF SUBSECTION SPECIFICATIONS.

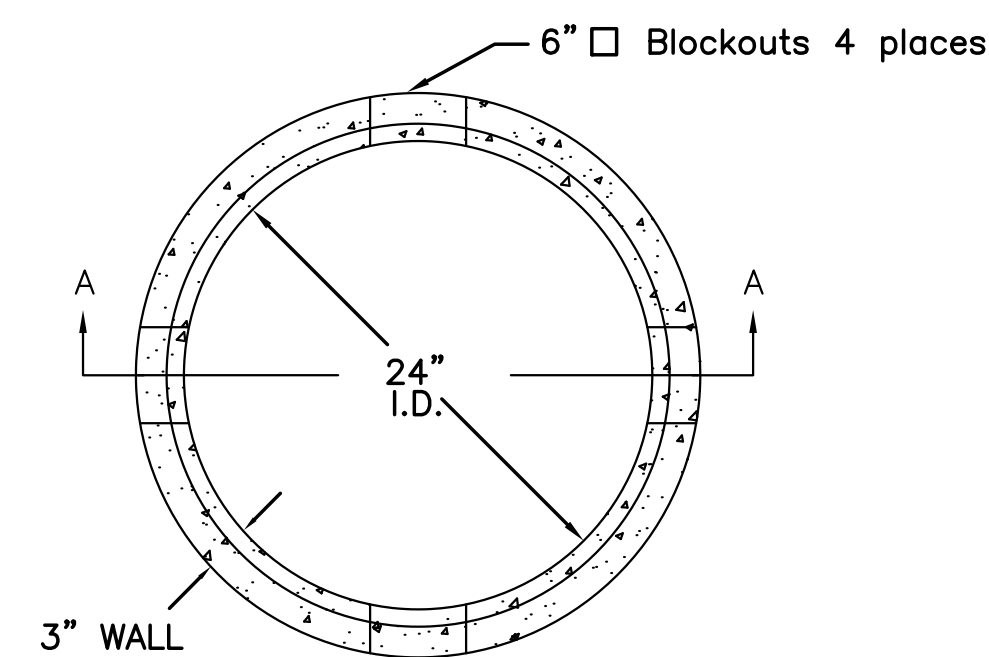


## JUNCTION BOX DETAILS

PRE-FAB Junction Box  
(24" I.D. X 36" R.C.P.)



JUNCTION BOX CAP  
36" x 36" x 6"  
TOP OF CAP TO BE FLUSH WITH GROUND LEVEL.



\*\* SEE SERVICE BOX INSTALLATION FOR RING & COVER DETAILS.

## NOTES:

- SERVICE & JUNCTION BOX:
- CONDUIT CONNECTION TO BE FLUSH TO WITHIN 5" OF INSIDE FACE OF SIDE WALL, CONDUIT TO DRAIN INTO SERVICE BOX.
  - CONDUIT CONNECTIONS TO SERVICE BOX SHALL BE TERMINATED WITH PLASTIC CABLE BUSHING.
  - CONDUIT SHALL BE SEALED WITH APPROVED SEALER AT INSIDE WALL FACE.
  - ALL SERVICE & JUNCTION BOXES TO HAVE 8" OF CRUSHED ROCK.  
No 90 degree elbows unless approved by Traffic Maintenance
- TRENCHING:
- DEPTH TO BE 30" MINIMUM WITH ROCK & STUBBLE FREE BACKFILL TO SERVE AS BEDDING MATERIAL. MAINTAIN MINIMUM CONDUIT DEPTH IN TRENCH.
  - BACKFILL TO BE COMPACTED IN 6" LOOSE LIFTS BY HAND OR MECHANICAL TAMPING TO A 95% STANDARD DENSITY.
- CONDUIT:
- SLOPE CONDUIT TO DRAIN AS DIRECTED BY THE ENGINEER.
  - 3" RIGID STEEL CONDUIT BTWN. SERVICE BOXES.  
2" " " " BTWN. SERVICE BOX AND POLE.  
1 1/4" " " BTWN. SERVICE & JUNCTION BOXES.  
3/4" " " BTWN. JUNCTION BOXES.  
3/4" " " BTWN. JUNCTION BOX & DETECTOR LOOP SAW CUT  
No 90 degree elbows unless approved by Traffic Maintenance

CITY OF WICHITA  
PUBLIC WORKS & UTILITIES  
ENGINEERING DIVISION

SERVICE/JUNCTION BOX, CONTROLLER PAD CONSTRUCTION/INSTALLATION		
TRAFFIC ENGINEER <b>BRIAN COON, P.E.</b>		
PROJECT NUMBER 472-85213	OCA NUMBER 707089	DATE
CITY ENGINEER'S OFFICE CITY HALL - SEVENTH FLOOR 455 NORTH MAIN STREET WICHITA, KANSAS 67202-1620 (316) 268-4501		SHEET 80 OF 125

REVISED AUGUST 2014

J:\PROJECTS\2015\1501040178\_COW\_21ST & OLIVER\_XXXXXX\CADD\SHOTS\06\_CIVIL\TRAFFIC\15178TRD02.DWG