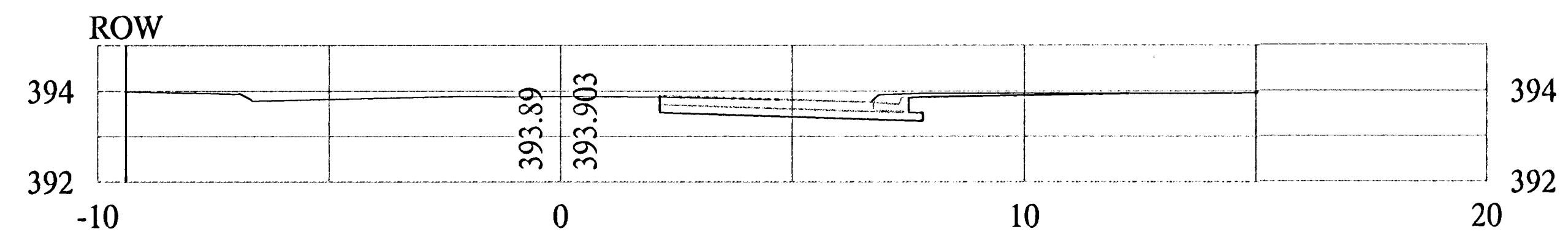
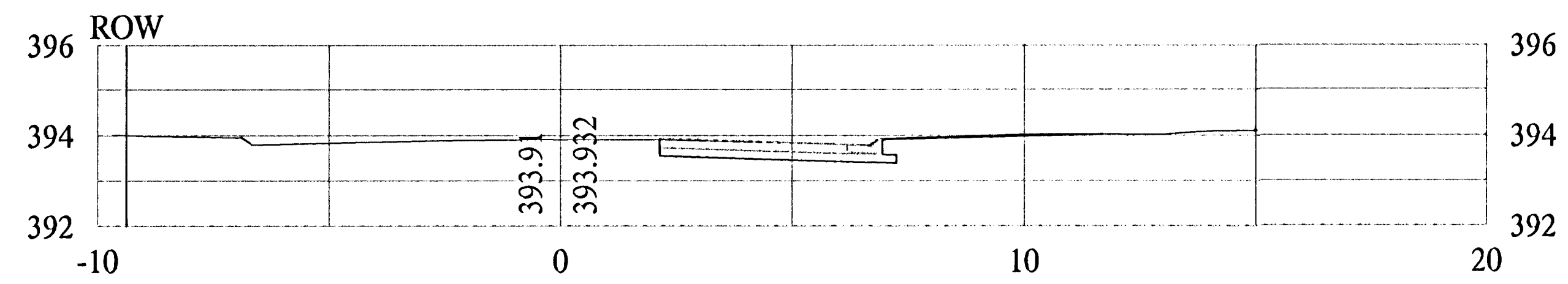


FHWA REGION NO.	STATE	PROJECT NO.	FISCAL YEAR	SHEET NO.	TOTAL SHEETS
7	KANSAS	87-N-0223-01	2002	52	56

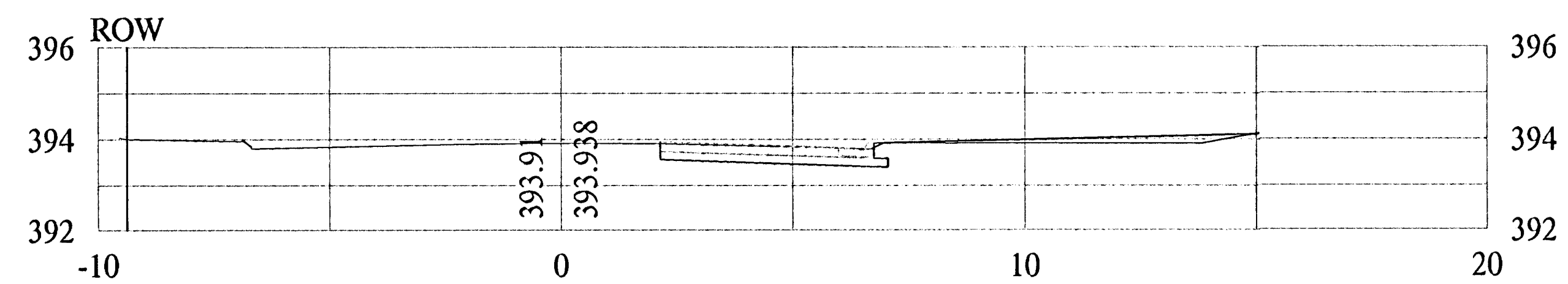
2+330



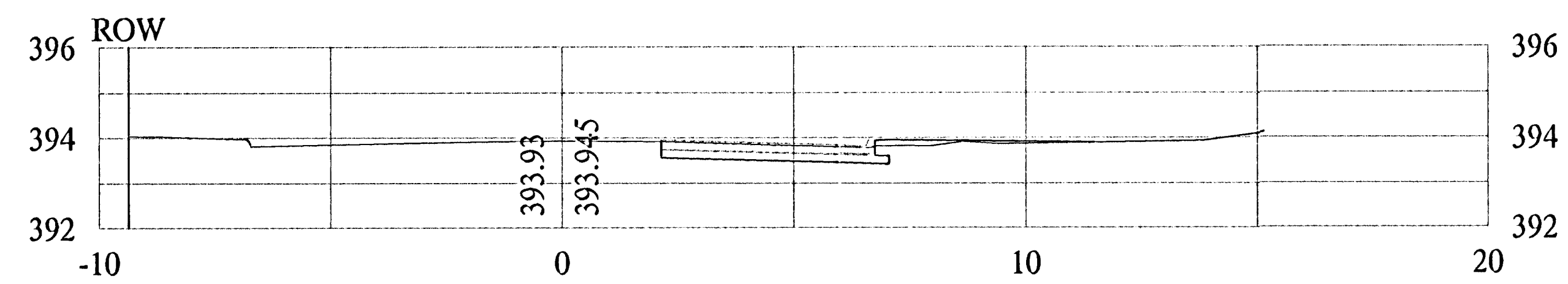
2+320



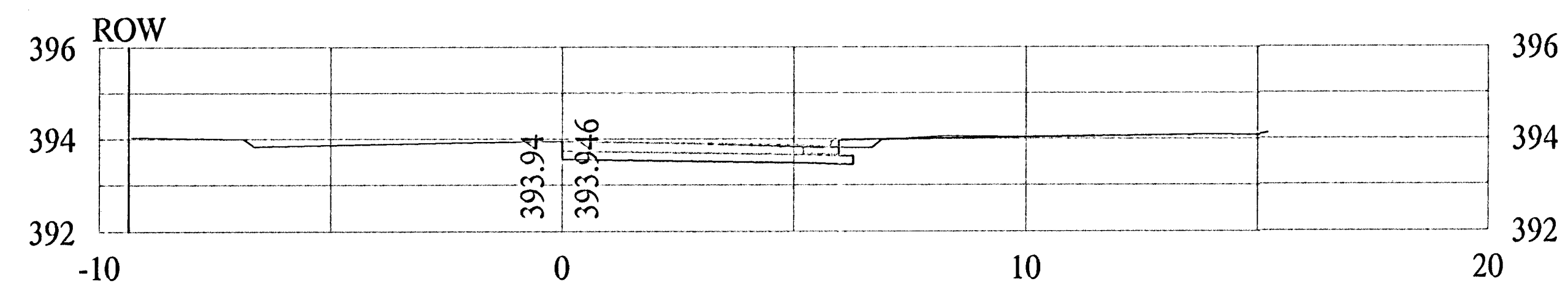
2+316.706



2+310



2+304.099



PROJECT NUMBER 472-83781	SHEET NAME Xsec 08	ENGINEERING DIRECTORY F:\HarryMcLean\Earth
DESIGN JFB	DRAWN KWR	APPROVED JFB
DATE Aug 2003	SCALE 1:100 SI	BAUGHMAN NO 01-03-E943

CAPITAL IMPROVEMENT PROJECT
CROSS SECTIONS
BASELINE 'C' HARRY
HARRY & MCLEAN INTERSECTION IMPROVEMENTS

BAUGHMAN COMPANY, P.A.
ENGINEERING, SURVEYING, & PLANNING
316-262-7211 • 315 ELLIS • WICHITA, KANSAS 67211

SHEET
OF
52
56