

STATE	PROJECT NO.	YEAR	SHEET NO.	TOTAL SHEETS
KANSAS	87 N-0230-01	2003	7	73

**GENERAL NOTES**

SPECIAL CONCRETE BRIDGE APPROACH SHALL BE PAID FOR AS SQUARE METERS OF CONCRETE PAVEMENT (260 UNIF)(AE) AND INCLUDES ALL WORK AND MATERIALS REQUIRED TO CONSTRUCT THE APPROACH SLAB AND SLEEPER SLAB AS SHOWN ON THIS SHEET.

ALL WORK AND MATERIALS REQUIRED FOR INSTALLATION OF EXPANSION JOINTS AND PRESSURE RELIEF JOINTS SHALL BE SUBSIDIARY TO THIS BID ITEM.

ALL PREFORMED JOINT MATERIAL SHALL BE INSTALLED PERPENDICULAR TO PAVEMENT SURFACE. FORMED JOINTS SHALL BE EDGED WITH A 6 mm RADIUS TOOL FOR THE LENGTH OF THE JOINT.

AT THE CONTRACTORS OPTION, #13 X 900 mm TIE BARS AT 380 mm CENTERS MAY BE SUBSTITUTED FOR THE 19E BARS AT 750 mm CENTERS.

ALL REINFORCING SHALL BE EPOXY COATED.

SEE STANDARD DRAWING RD661 SI FOR DETAILS OF JOINTS AND REINFORCING MESH.

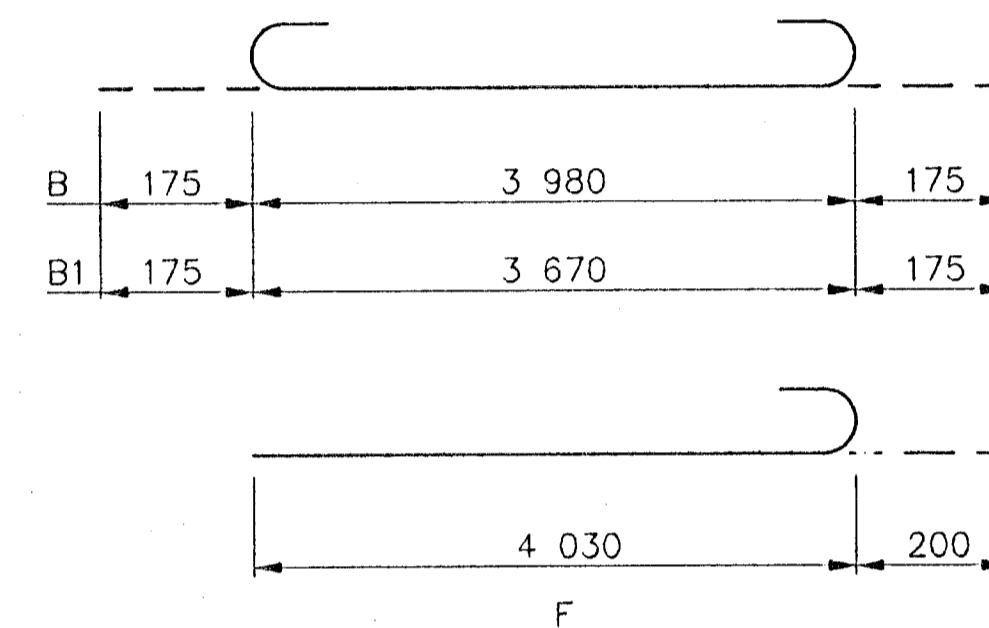
CLEARANCE FROM THE FACE OF CONCRETE FOR ALL REINFORCING STEEL SHALL BE 50 mm.

STANDARD REINFORCING BAR HOOKS IN ACCORDANCE WITH THE LATEST ACI SPECIFICATIONS SHALL BE USED THROUGHOUT.

(Both approaches)

BILL OF REINFORCING STEEL							
STRAIGHT BARS				BENT BARS			
MARK	SIZE	NO.	LENGTH	MARK	SIZE	NO.	LENGTH
E	19	134	900	F	19	200	4 230
A	16	104	4 030	B	16	56	4 330
C	16	40	3 980	B1	16	56	4 020
C1	16	40	3 670				

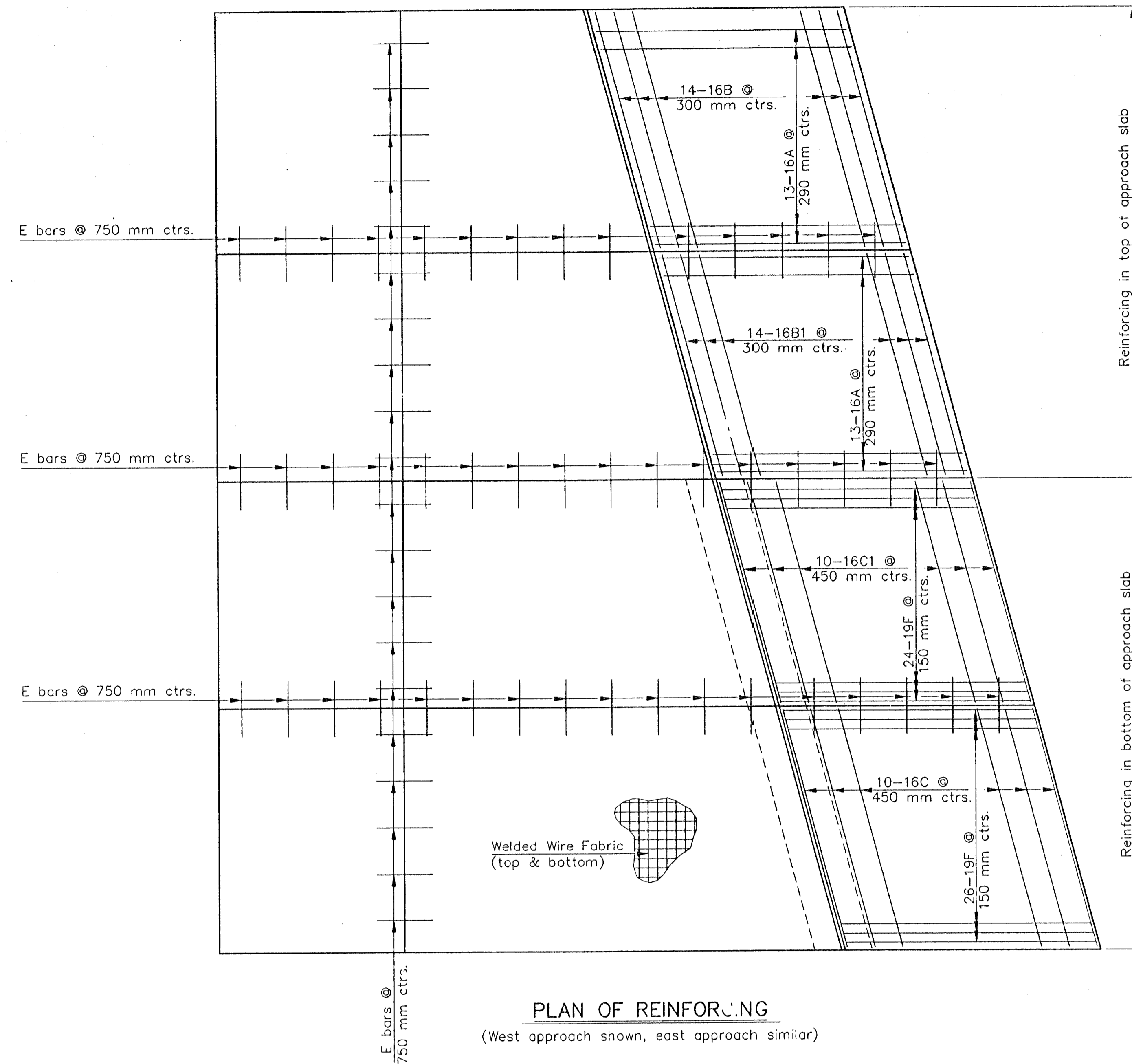
**BENDING DIAGRAMS**  
All dimensions are out to out of bars.



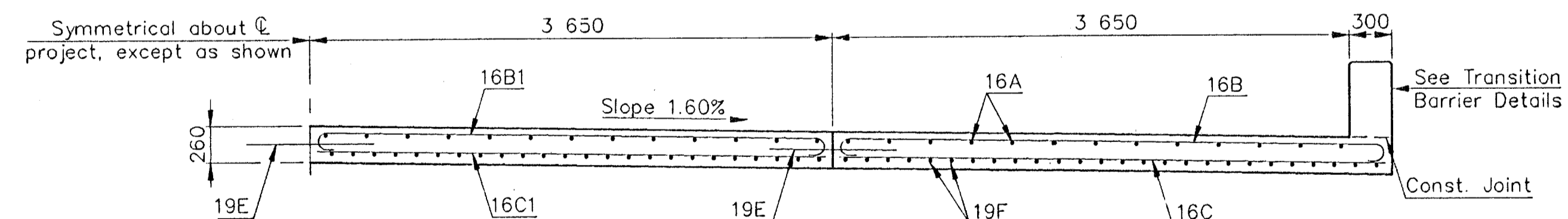
(Both approaches)

BILL OF MATERIALS	
Concrete Pavement (260 Unif.)(AE)	186.1 sq m
West Approach	186.1 sq m
East Approach	6 030 kg
Reinforcing Steel	31 470 mm
Expansion Joint	

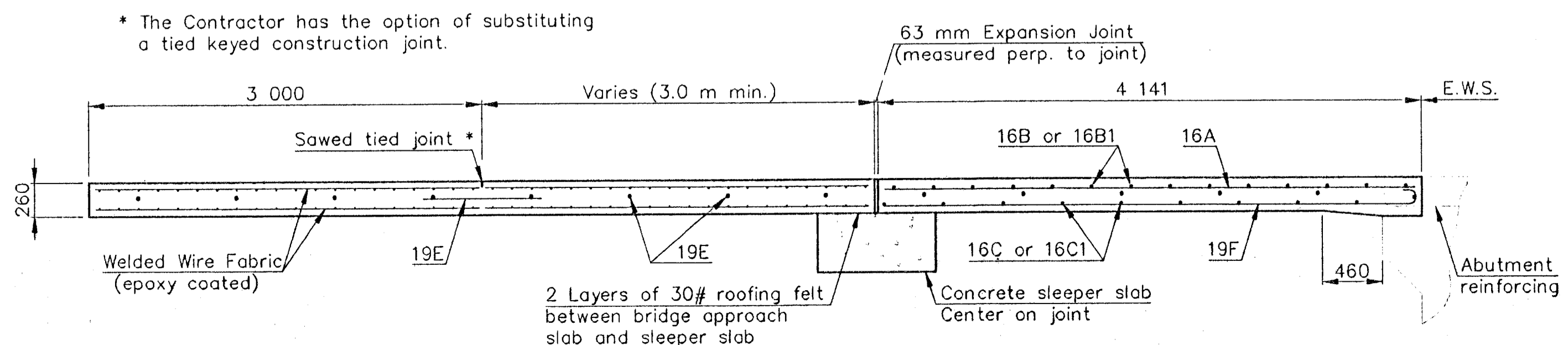
Note: Reinforcing steel and joint length shown for information only.



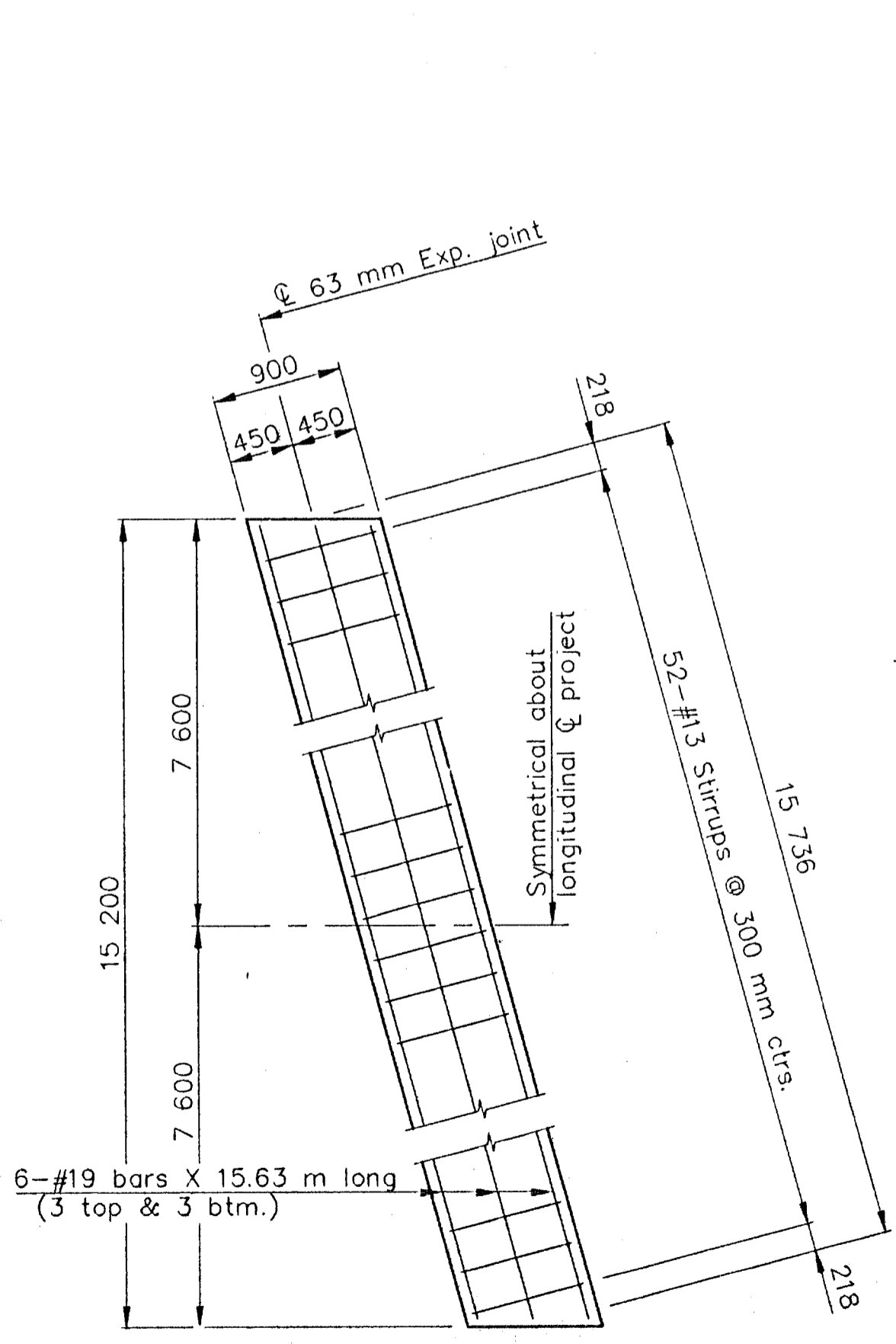
**PLAN OF REINFORCING**  
(West approach shown, east approach similar)



**HALF TRANSVERSE SECTION**

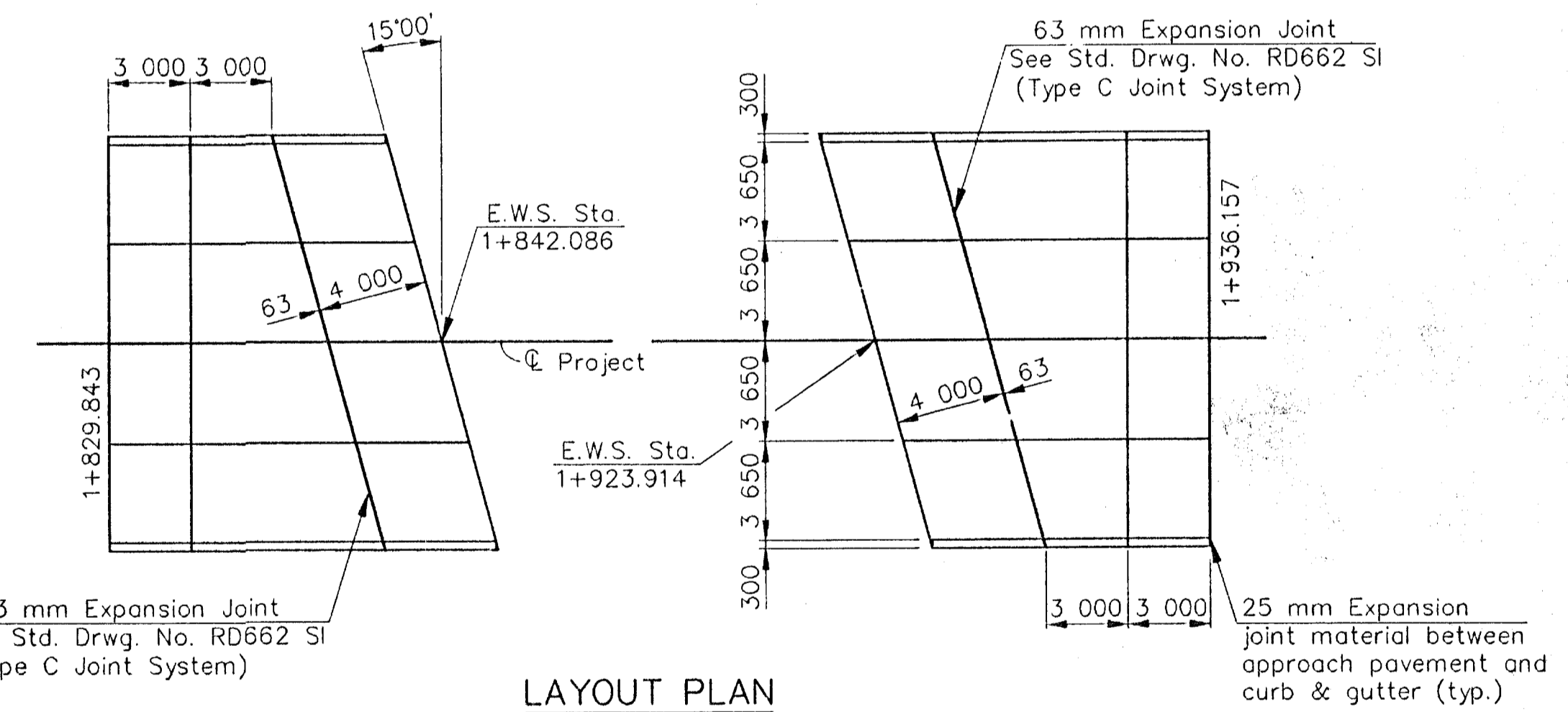


**LONGITUDINAL SECTION**

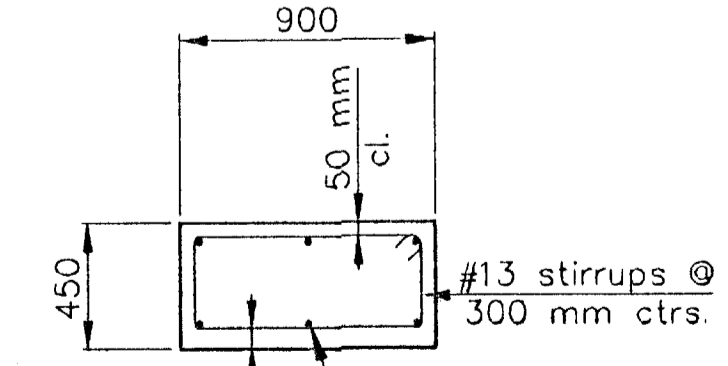


**SLEEPER SLAB DETAILS**

Quantities (both approaches):  
Concrete: 12.7 cu m  
Reinforcing Steel: 676 kg



**LAYOUT PLAN**



**TYPICAL SECTION**

PROJECT NO. 87 N-0230-01

**CONCRETE APPROACH PAVEMENT**

13TH STREET NORTH OVER COWSKIN CREEK

STA. 1+883 CITY OF WICHITA

DESIGNED	SCALE
DATE	DATE
QUANTITIES	SHEET OF

J:\02517\DWGS\DWG\APPR1-40 (1:04)