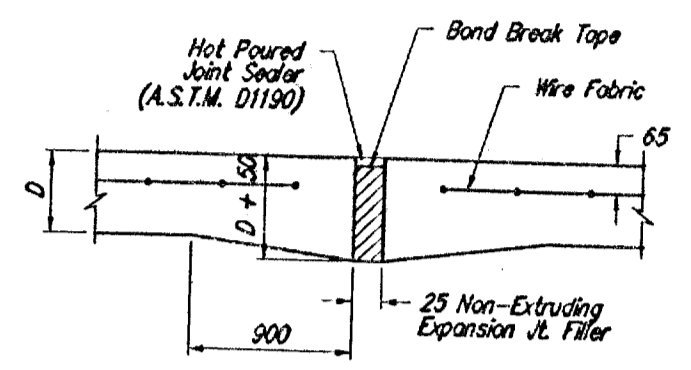


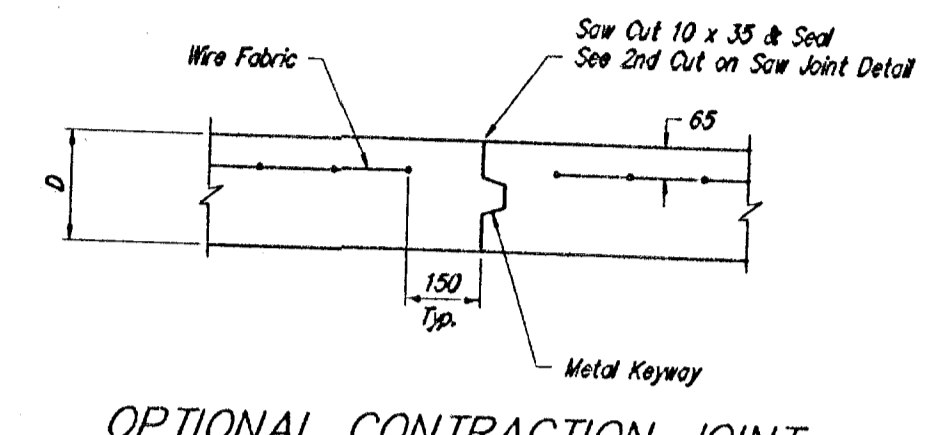
F.H.W.A. REGION NO.	STATE	PROJECT NO.	YEAR	SHEET NO.	TOTAL SHEETS
7	KANSAS	87 N-0230-01	2003	12	73

DATE	BY	INITIALS
REFERENCE NOTED	REFERENCE CHECKED	

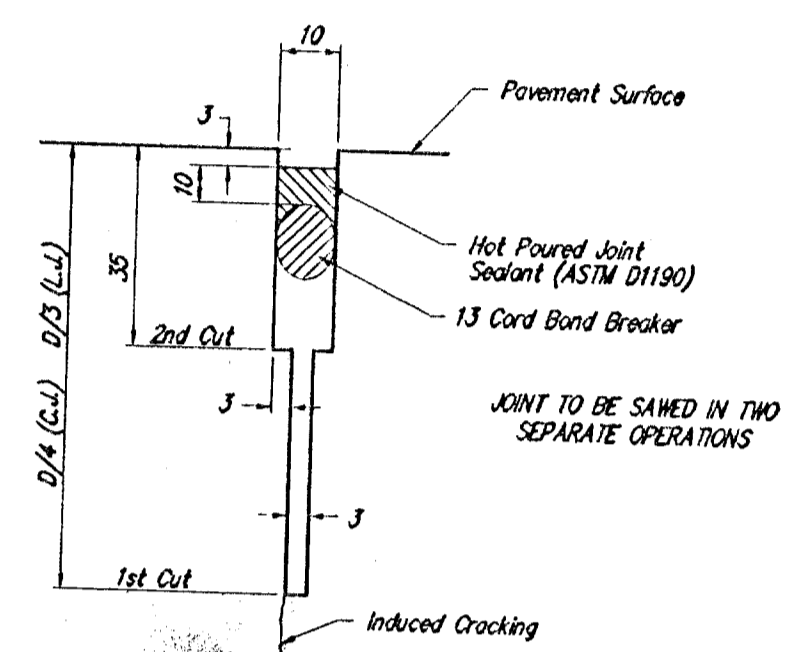
Drawn by	Plotted	SCALE
File: DWG_FILE_NAME		SCALE SCALE



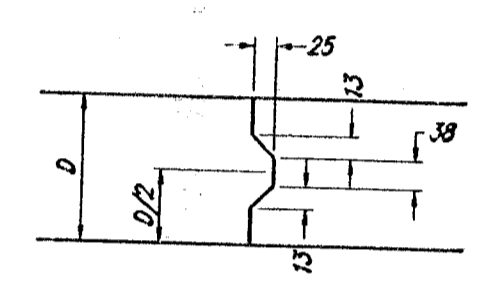
EXPANSION JOINT
NOTE: Extra Thickness to be Subsidiary to Price of Square Yards Pavement



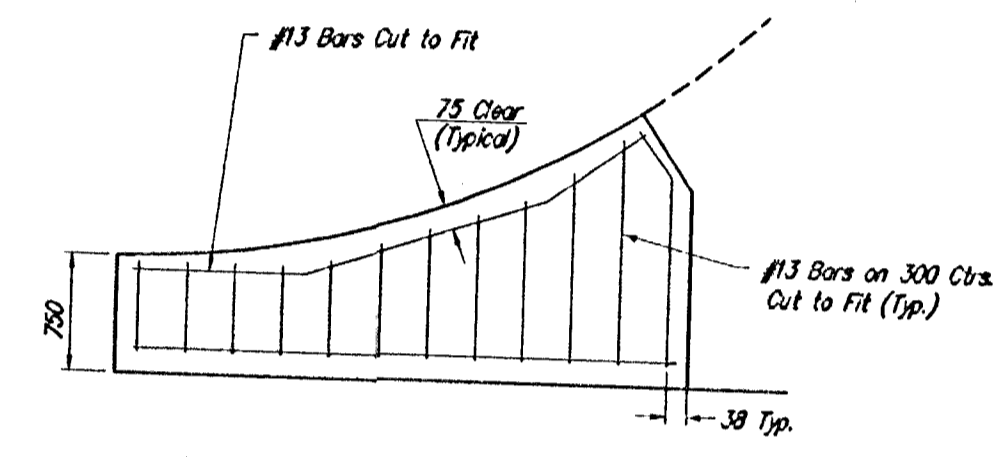
OPTIONAL CONTRACTION JOINT



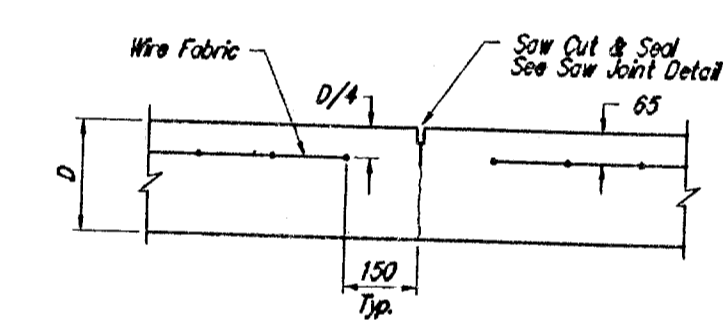
SAW JOINT DETAIL
JOINT TO BE SAHED IN TWO SEPARATE OPERATIONS



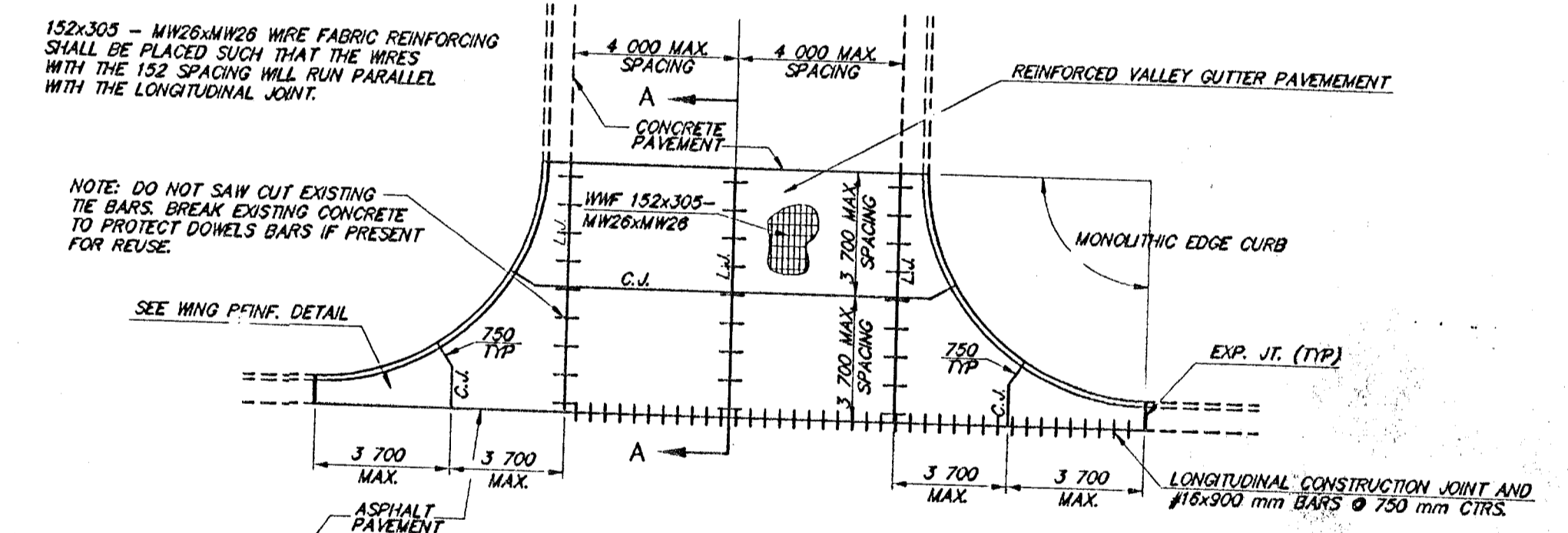
KEYWAY DETAIL



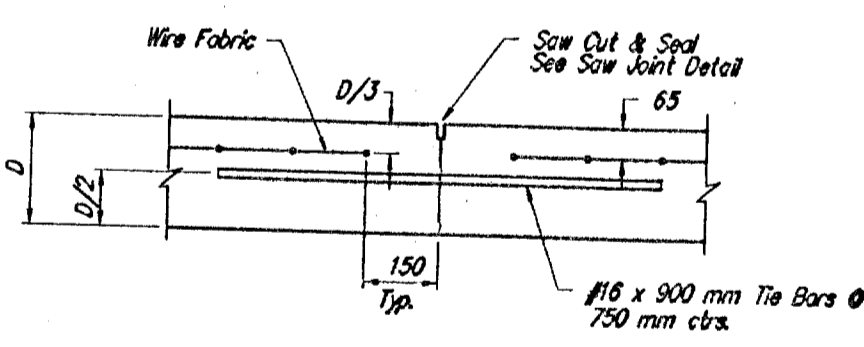
WING REINFORCING DETAIL



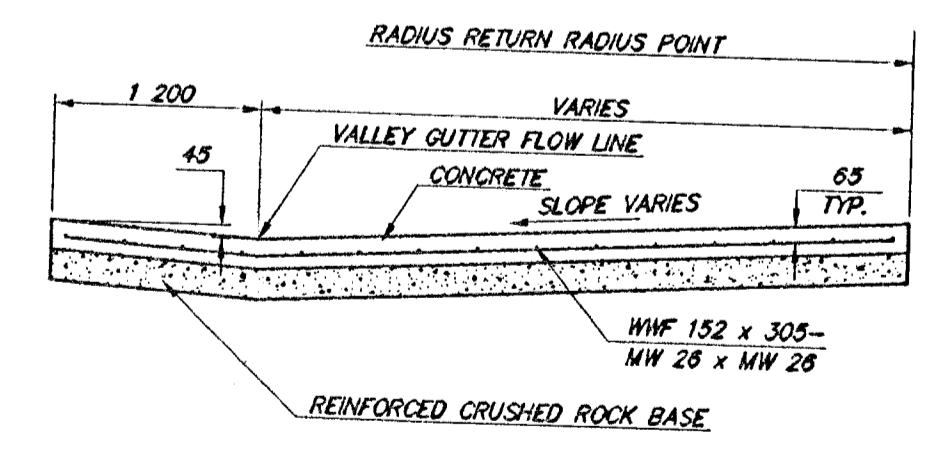
CONTRACTION JOINT DETAIL (C.J.)



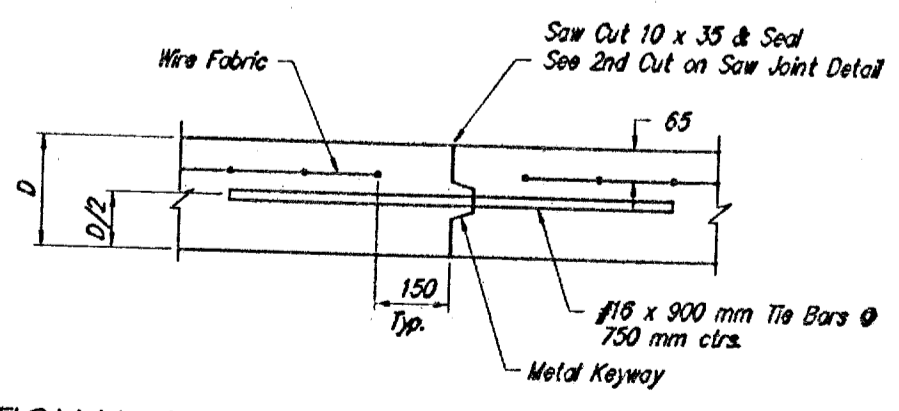
PLAN



LONGITUDINAL JOINT DETAIL (L.J.)



SECTION A-A



OPTIONAL LONGITUDINAL JOINT DETAIL (L.J.)

REINFORCED VALLEY GUTTER DETAIL