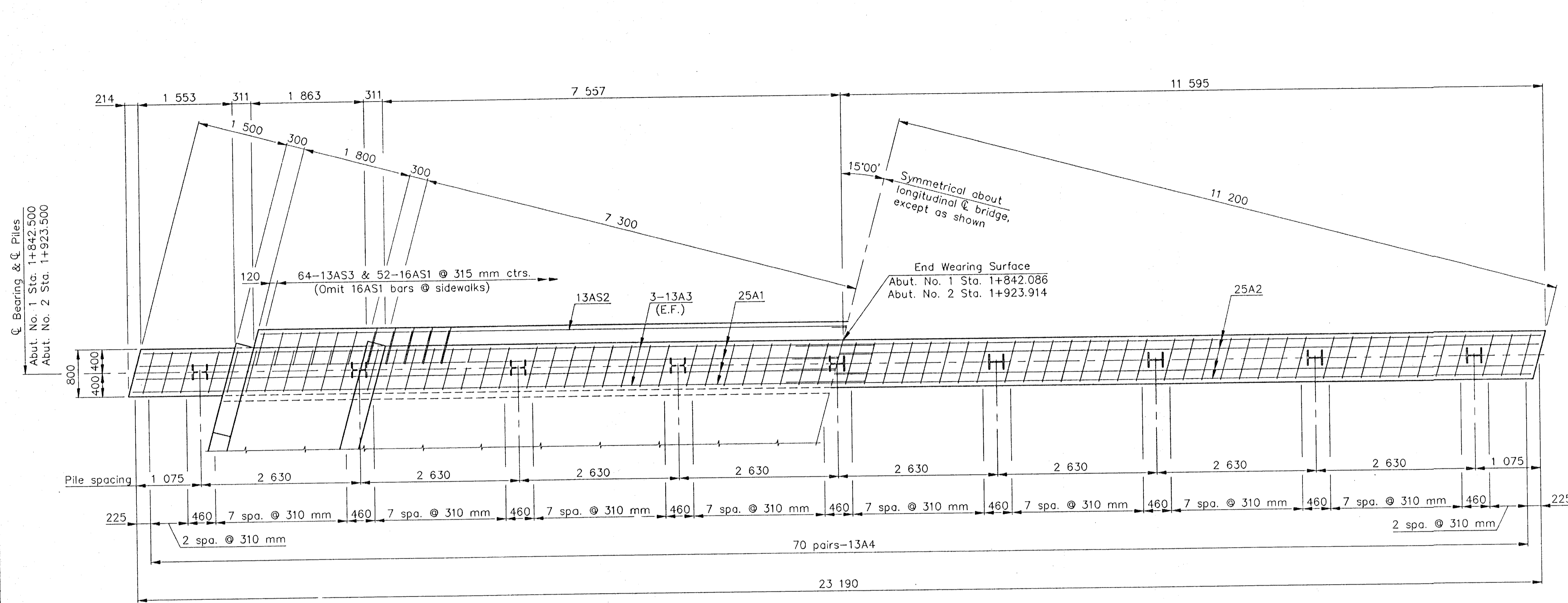


E.F. INDICATES EACH FACE  
 N.F. INDICATES NEAR FACE  
 F.F. INDICATES FAR FACE

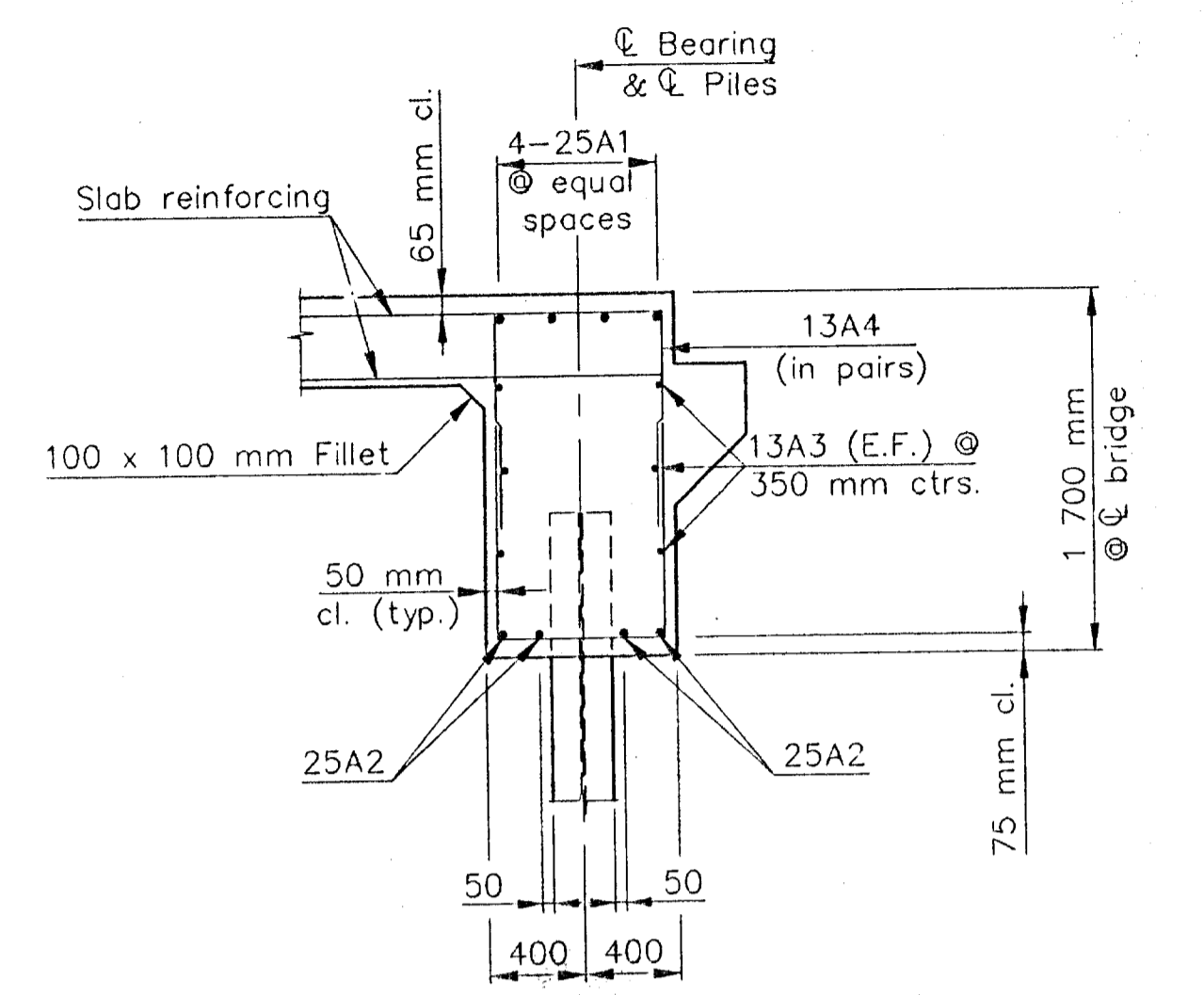
STATE	PROJECT NO.	YEAR	SHEET NO.	TOTAL SHEETS
KANSAS	87 N-0230-01	2003	26	73



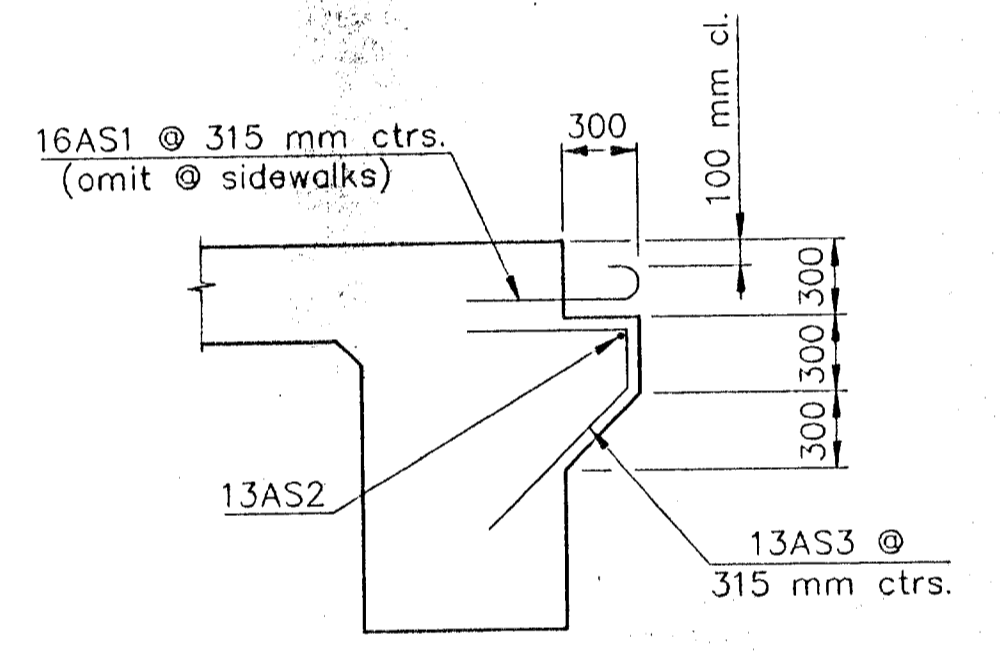
REINFORCING STEEL II. TOP

PLAN OF ABUTMENT

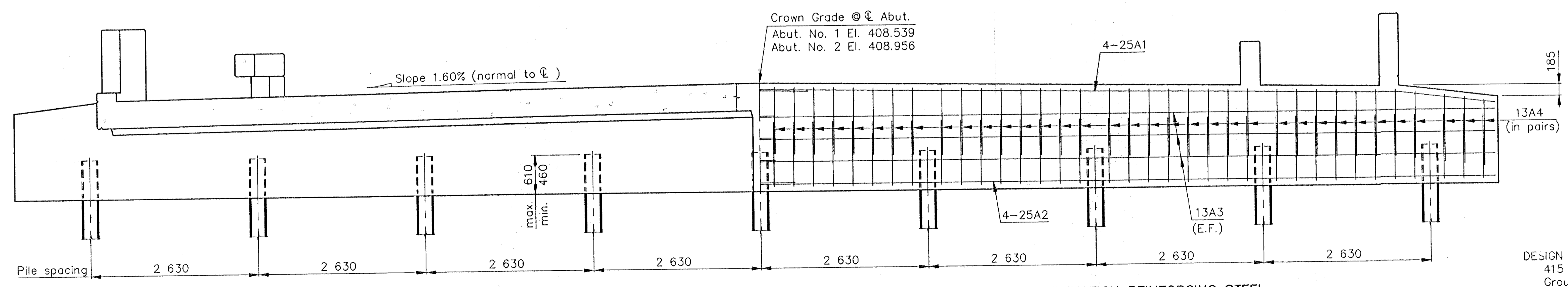
REINFORCING STEEL IN BOTTOM



TYPICAL SECTION  
 (Perpendicular to abutment)



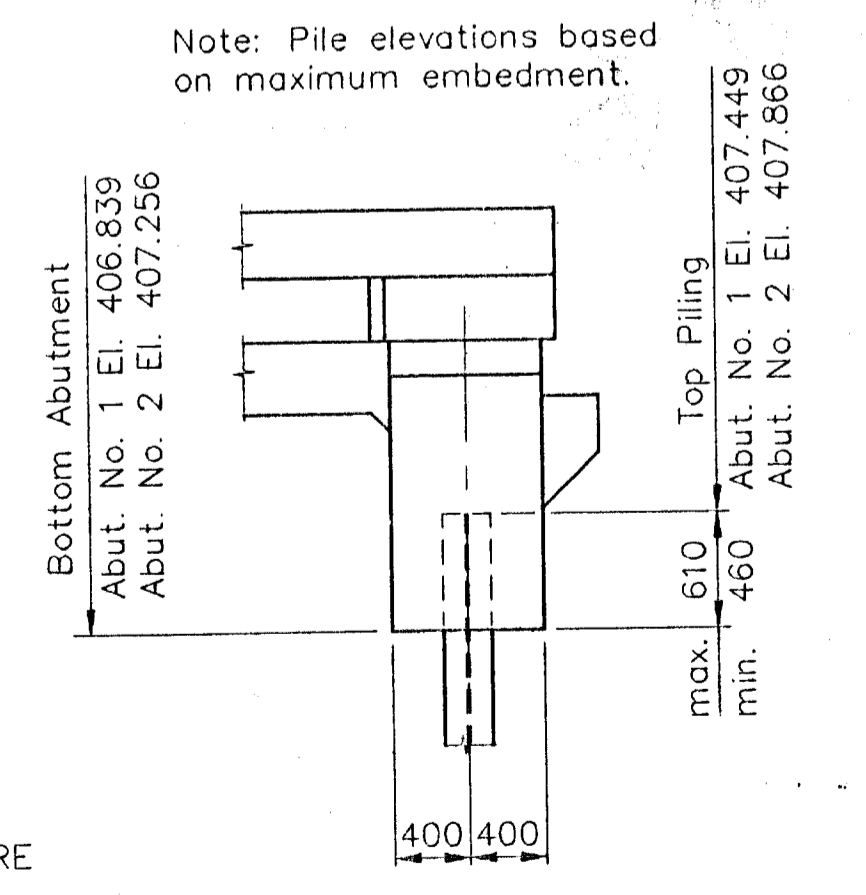
PAVEMENT SEAT DETAIL  
 (Perpendicular to abutment)



HALF ELEVATION

FRONT ELEVATION

HALF ELEVATION REINFORCING STEEL



END ELEVATION

DESIGN PILE PRESSURE  
 415 kN per Pile  
 Group I Loading

PROJECT NO. 87 N-0230-01

ABUTMENT DETAILS

Cook, Flatt & Strobel  
 ENGINEERS, P.A.

1:40 (1:04)