

GENERAL NOTES

ABUTMENT STRIP DRAIN: The Bridge Contractor shall excavate to the limits shown on the Bridge Excavation sheet, grade the bottom of the backfill area, place the strip drain, and place the perforated pipe, the outlet pipe, the CMP, and the backfill. Guide post and coarse aggregate are subsidiary to this bid item. Guide post and coarse aggregate are not required if the CMP empties onto riprap.

BRIDGE BACKWALL PROTECTION SYSTEM: Apply a Bridge Backwall Protective System to the approach side of the abutments and the wings in accordance with KDOT Specifications and the manufacturer's recommendations. Cover the abutments and wings to the limits shown on the details. Prior to backfilling, repair any damage done to the system at no charge to the state.

Place perforated pipe next to the strip drain. Use non-perforated pipe outside the limits of the strip drain. Enclose the perforated pipe with the extension of the filter fabric.

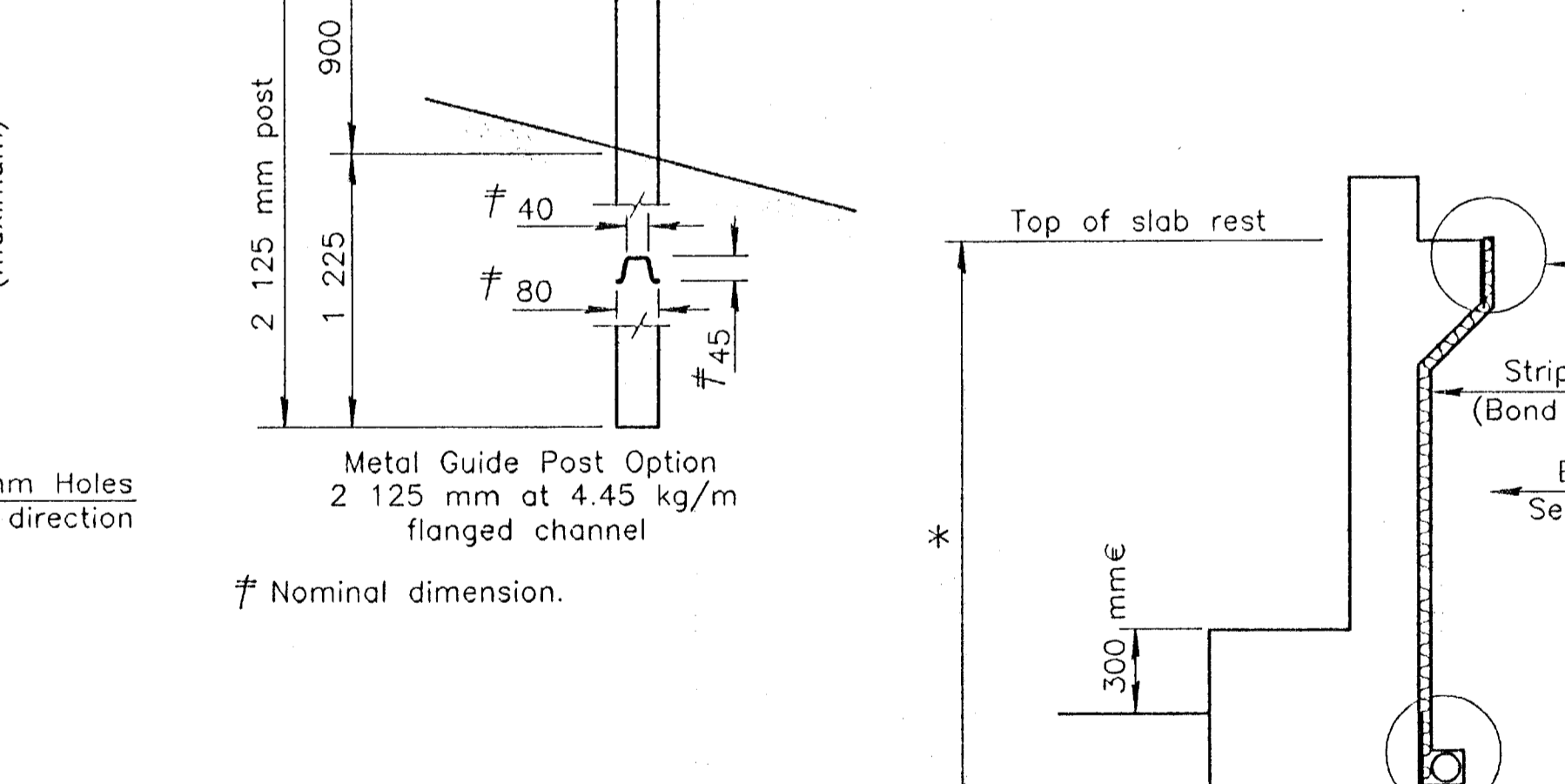
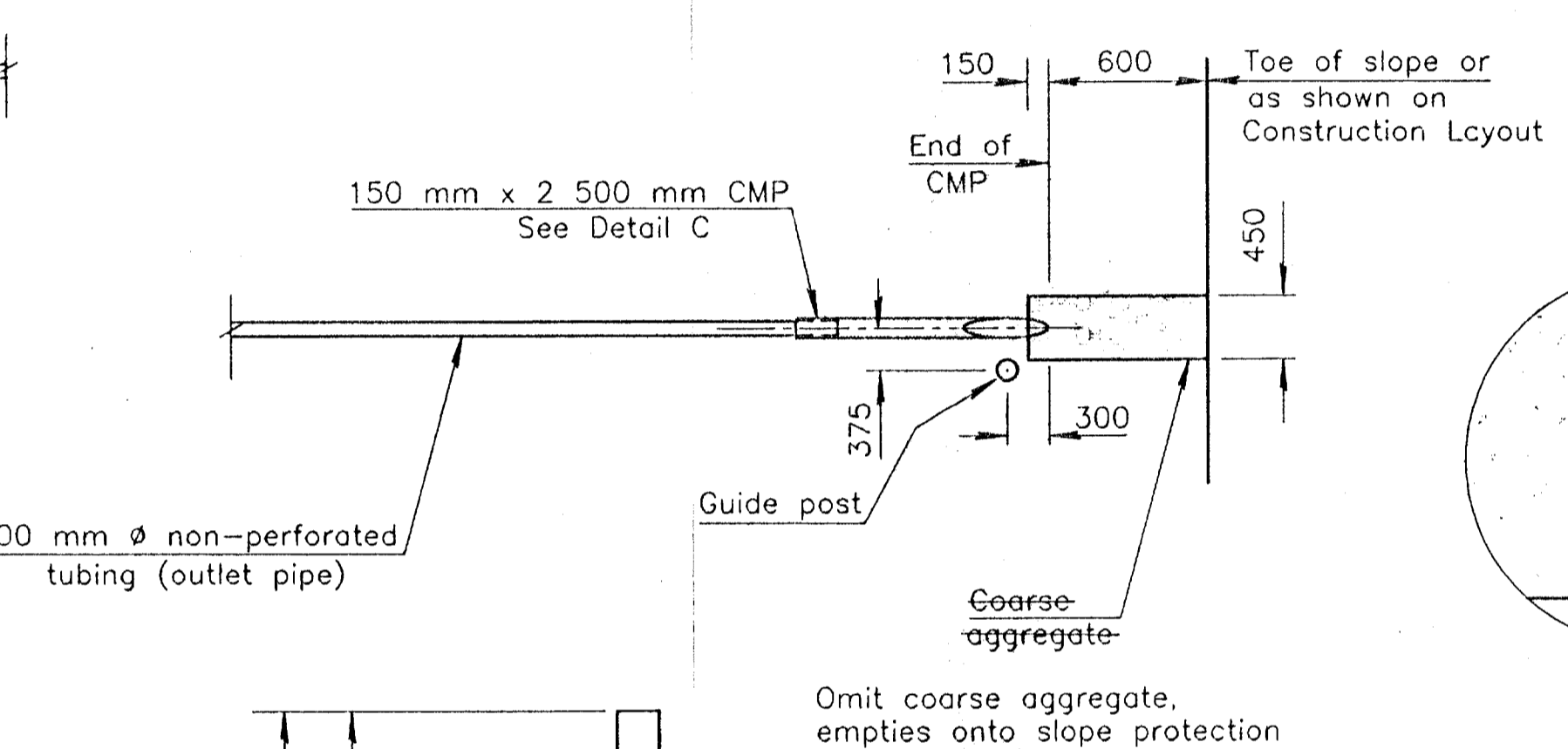
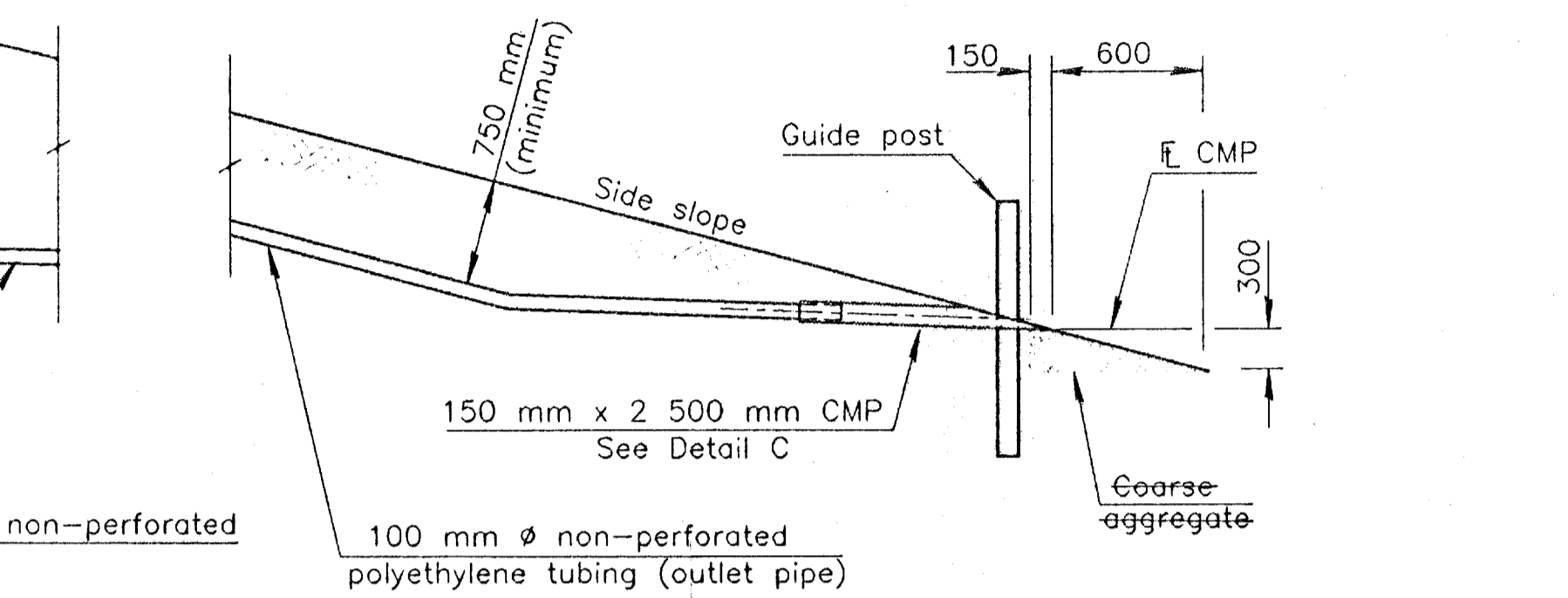
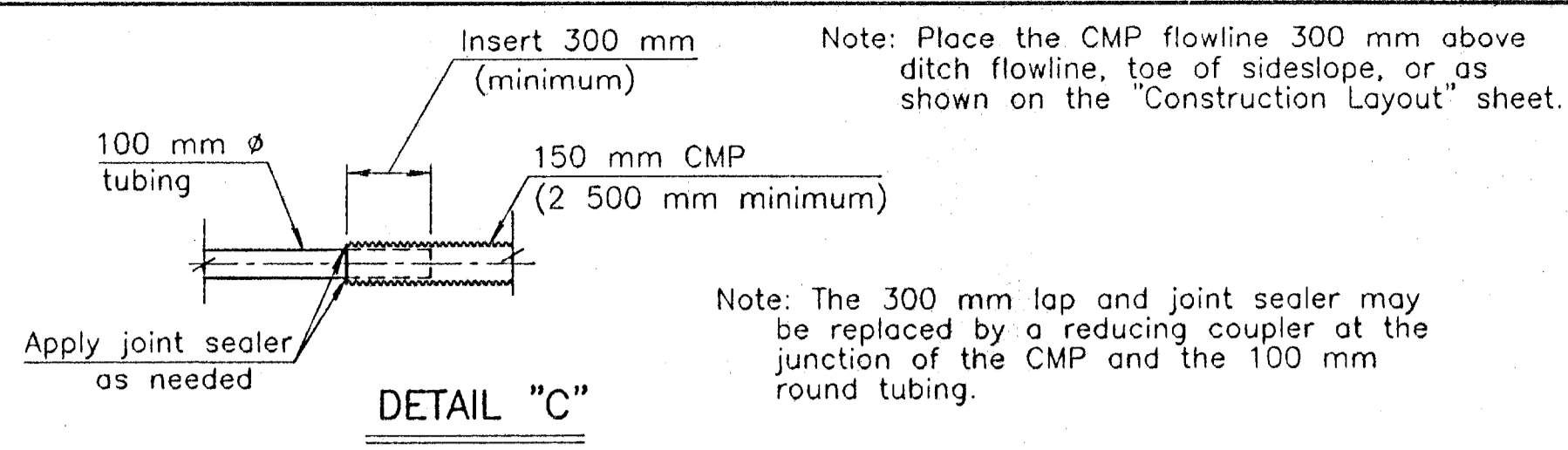
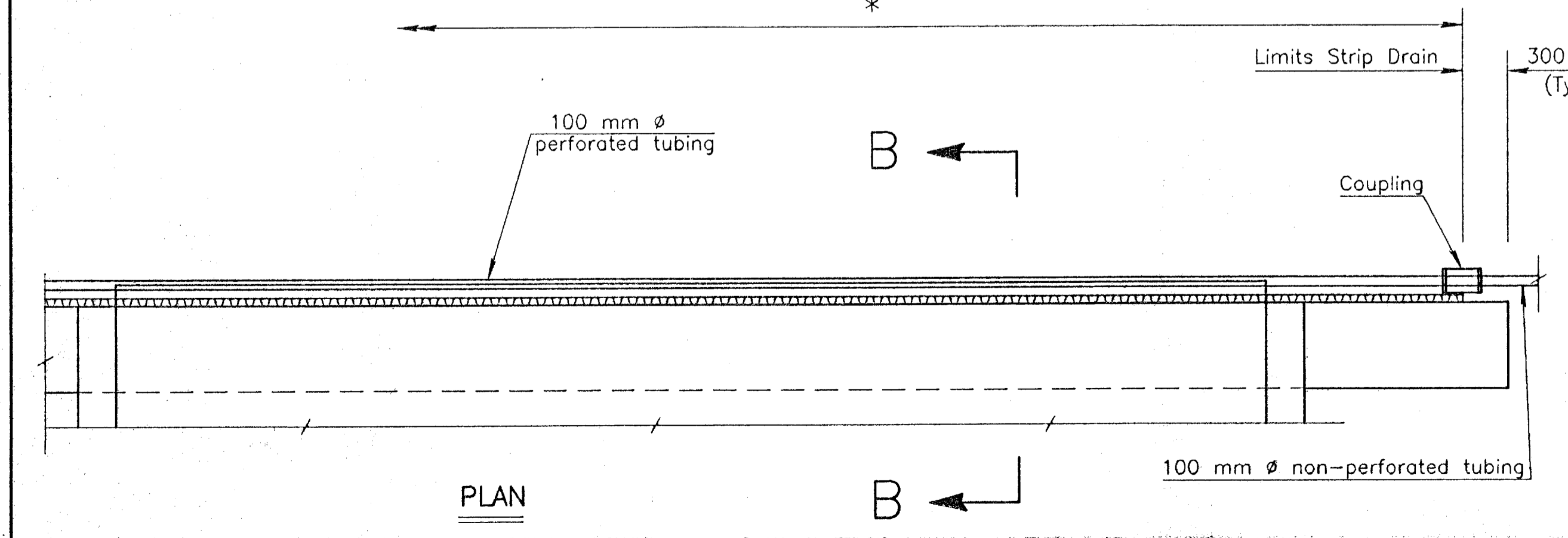
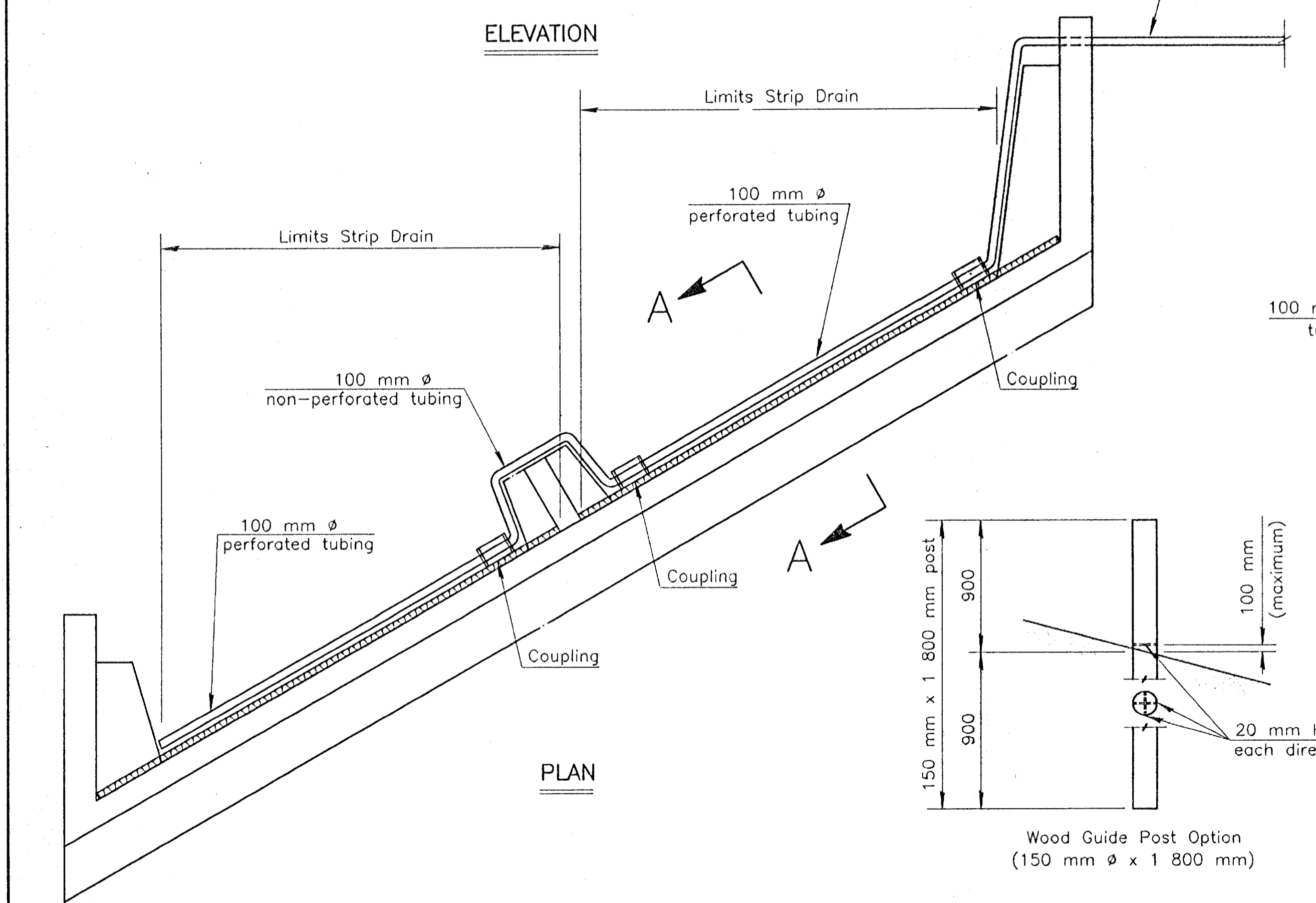
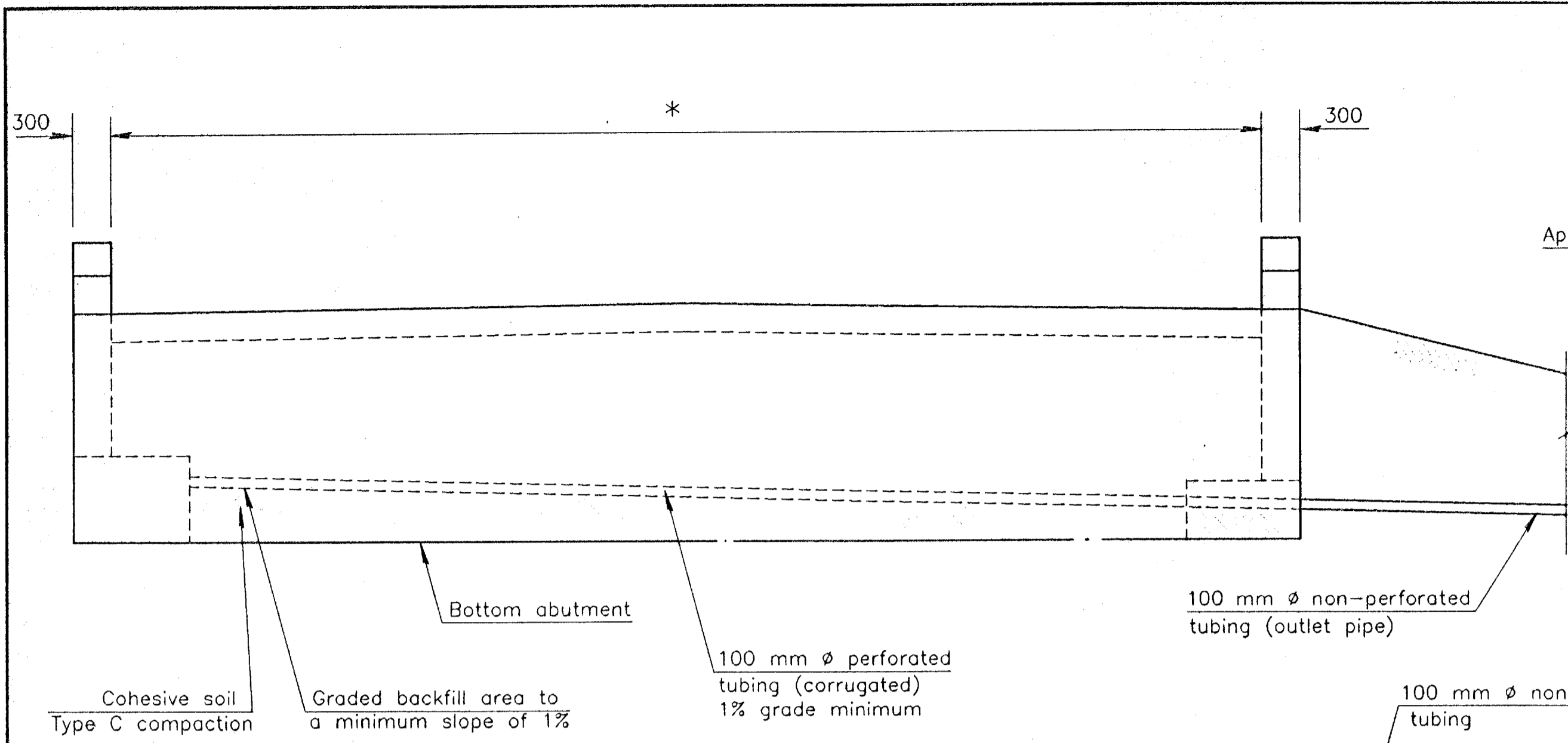
Compact the abutment backfill. See the KDOT Specifications.

Perforated pipe and non-perforated outlet pipe shall be corrugated polyethylene tubing conforming to the KDOT Specifications.

Fit the CMP end section with 6 mm galvanized mesh screen to prevent the entrance of rodents. Seal the joint between the outlet pipe and the end section with a joint sealer. Place coarse aggregate at the outlet end as shown.

Grade the bottom surface of the excavated area to drain. Backfill this area with a cohesive type soil. The soil should be a silty clay or clay under the Kansas Classification System with a minimum plasticity index of 20. Compact the material to Type C standards.

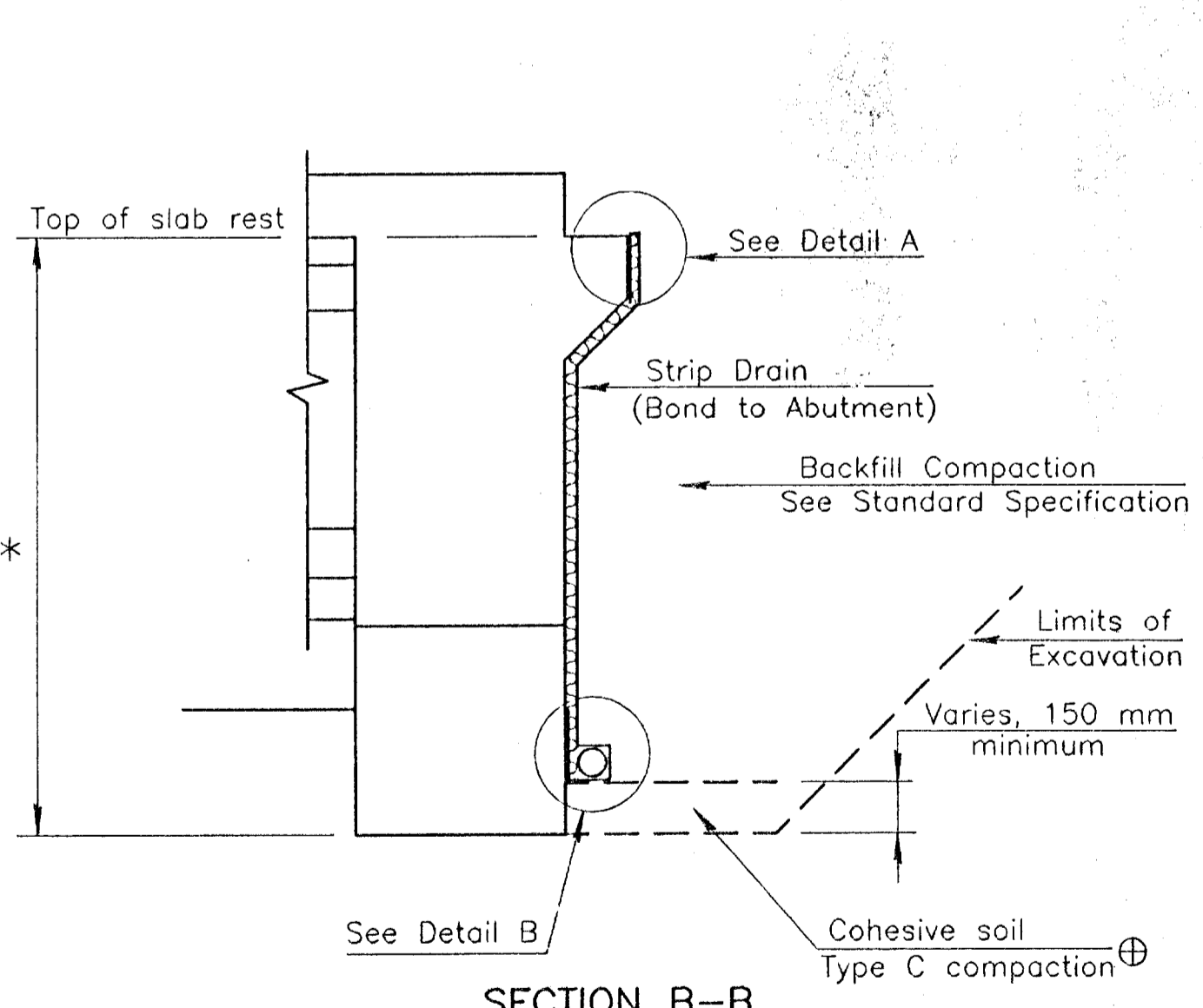
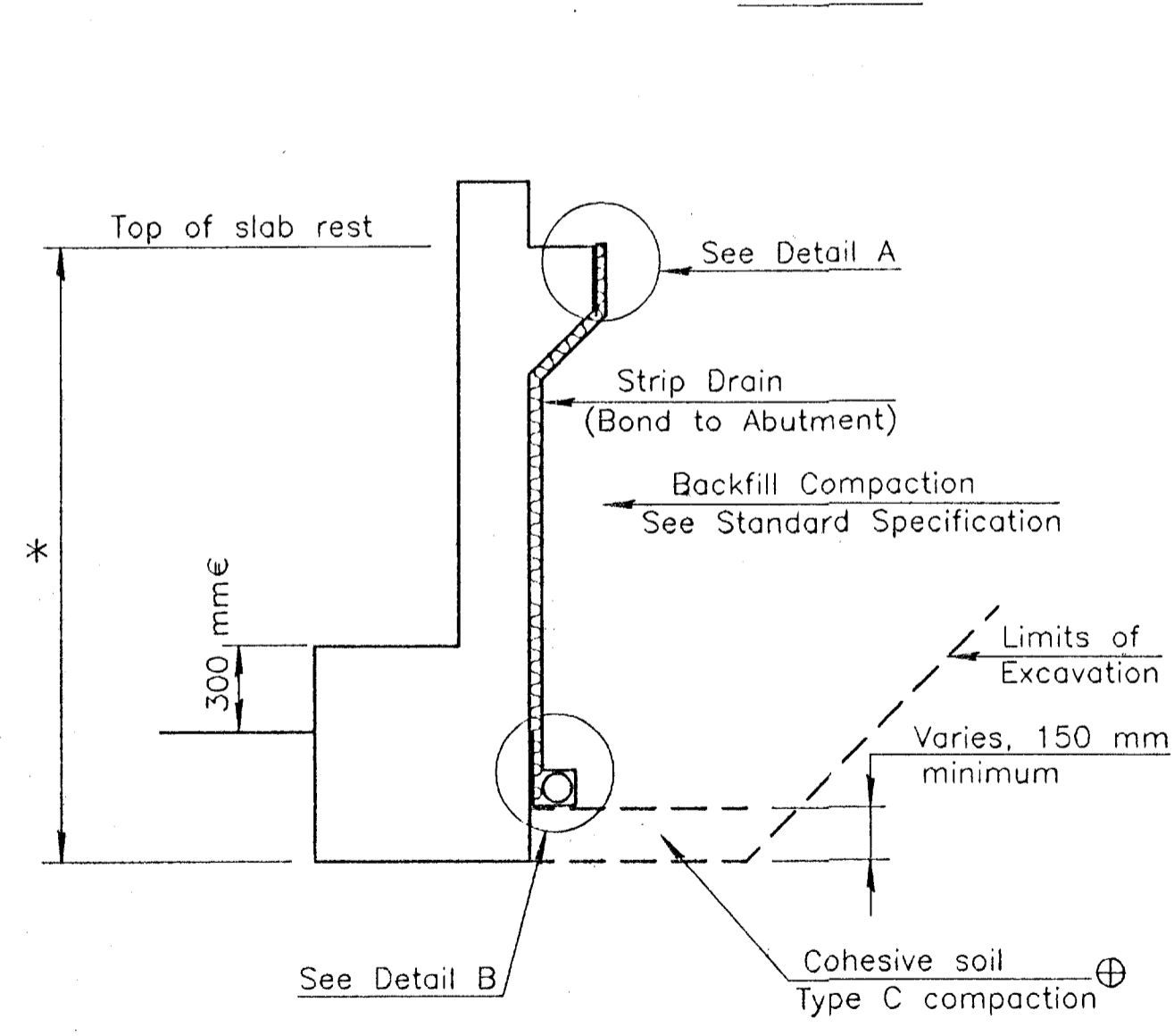
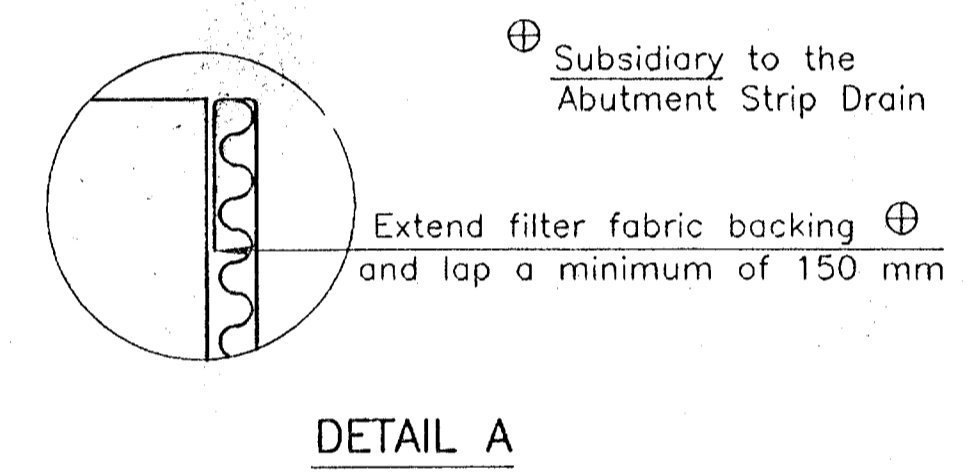
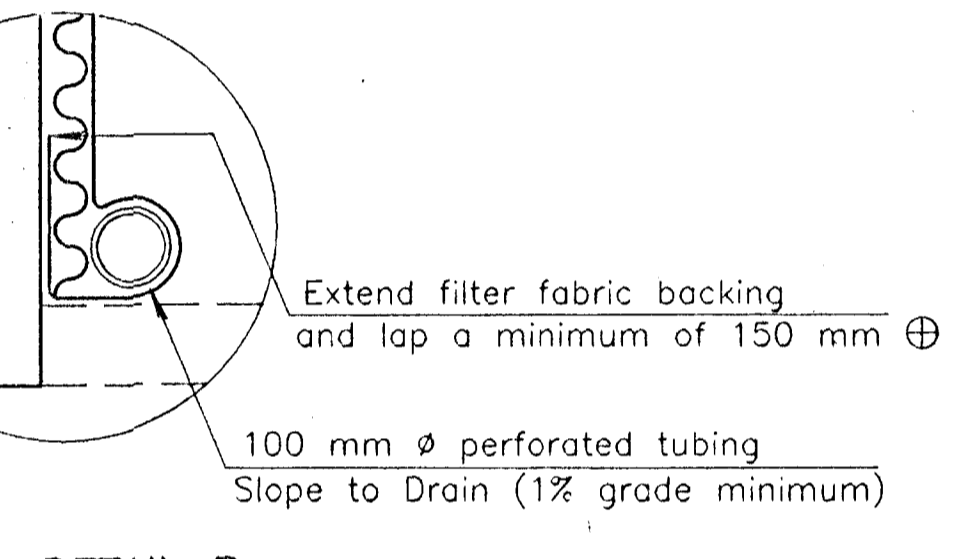
Place the outlet pipe on the downstream side of structures over streams and as shown or noted on other crossings (See the "Construction Layout" sheet).



Notes:

Wood Guide Posts: Apply a preservative treatment conforming to the KDOT Specifications to the posts. Use only one type of preservative treatment on a project. Apply two coats of aluminum paint to the top 450 mm of the posts. Apply one coat of International Orange paint to the top 300 mm of the posts. State forces will apply reflectorized material.

Metal Guide Posts: Posts shall conform to the KDOT Specifications. Posts shall have a galvanized or baked enamel coating. Apply one coat of International Orange paint to the top 300 mm of the posts.



SUMMARY OF QUANTITIES (Both Abutments)

Abutment Strip Drain	66 sq m
Bridge Backwall Protection System	57 sq m
Items Subsidiary to Strip Drain	
100 mm diameter Perforated Pipe	45.2 m
100 mm diameter Outlet Pipe	€17.5 m
150 mm diameter CMP	5.0 m
Guide Post	0

NO.		DATE	REVISIONS	BY	APP'D
1	7-15-98		Current release		

KANSAS DEPARTMENT OF TRANSPORTATION

ABUTMENT STRIP DRAIN

Project No. 87 N-0230-01 City of Wichita

SHEET NO. OF	DATE	APP'D
DESIGNED	7-15-98	
DESIGN CK.	DETAIL CK.	QUANTITIES CK.
		CADD CK.

Plotted By: J:\02517\DWGS\ABDR
 Plot File: J:\02517\DWGS\ABDR
 Plot Date: 7/15/98
 Server: witch
 View: PLOT1
 Std. Base File: /usr2/stand/si/br102.asi.dgn
 Server File: /usr2/stand/si/br102.asi.dgn
 Server: witch
 Plotted By: J:\02517\DWGS\ABDR
 Plot File: J:\02517\DWGS\ABDR
 Plot Date: 7/15/98
 Server: witch
 View: PLOT1