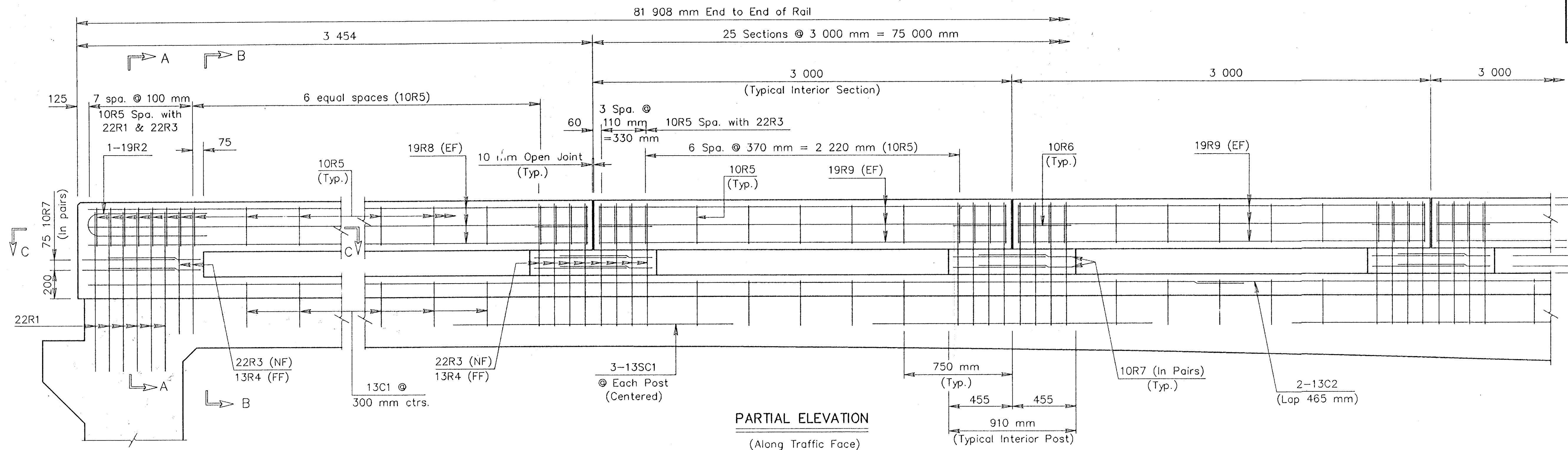


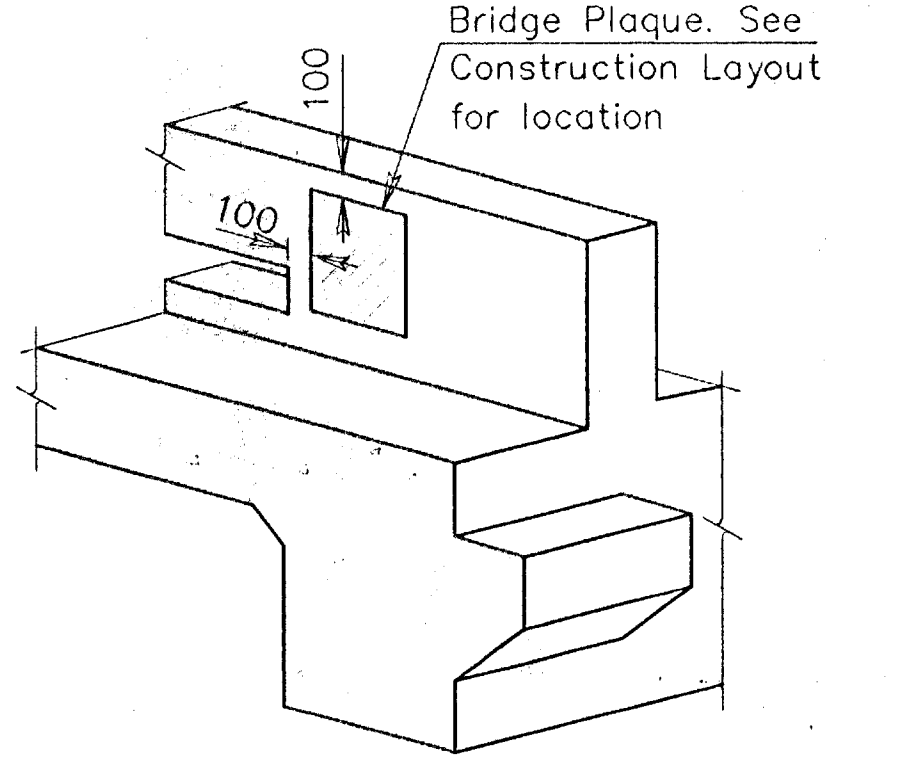
STATE	PROJECT NO.	YEAR	SHEET NO.	TOTAL SHEETS
KANSAS	87 N-0230-01	2003	33	73

LEGEND

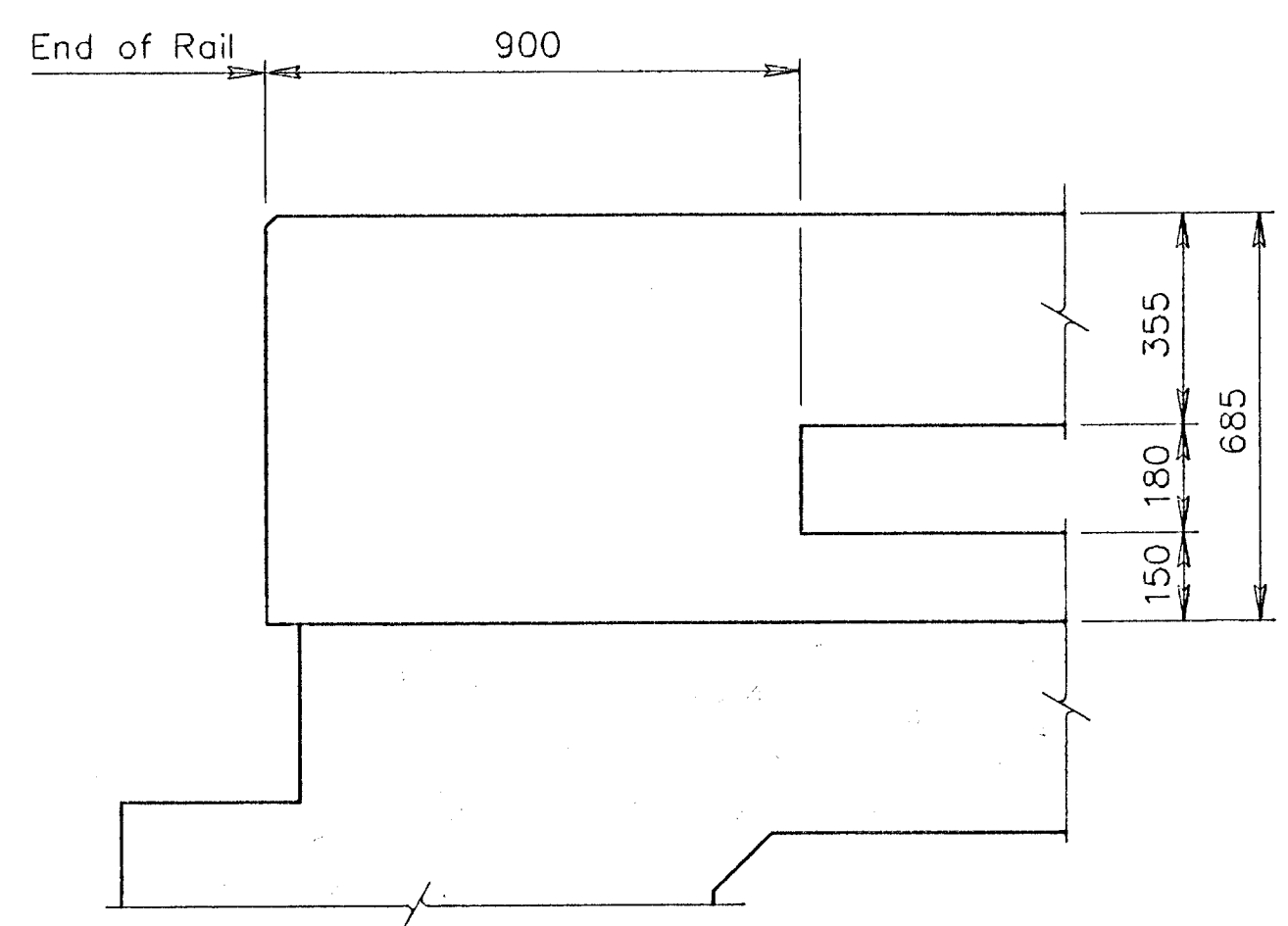
NF = Near Face
 FF = Far Face
 EF = Each Face



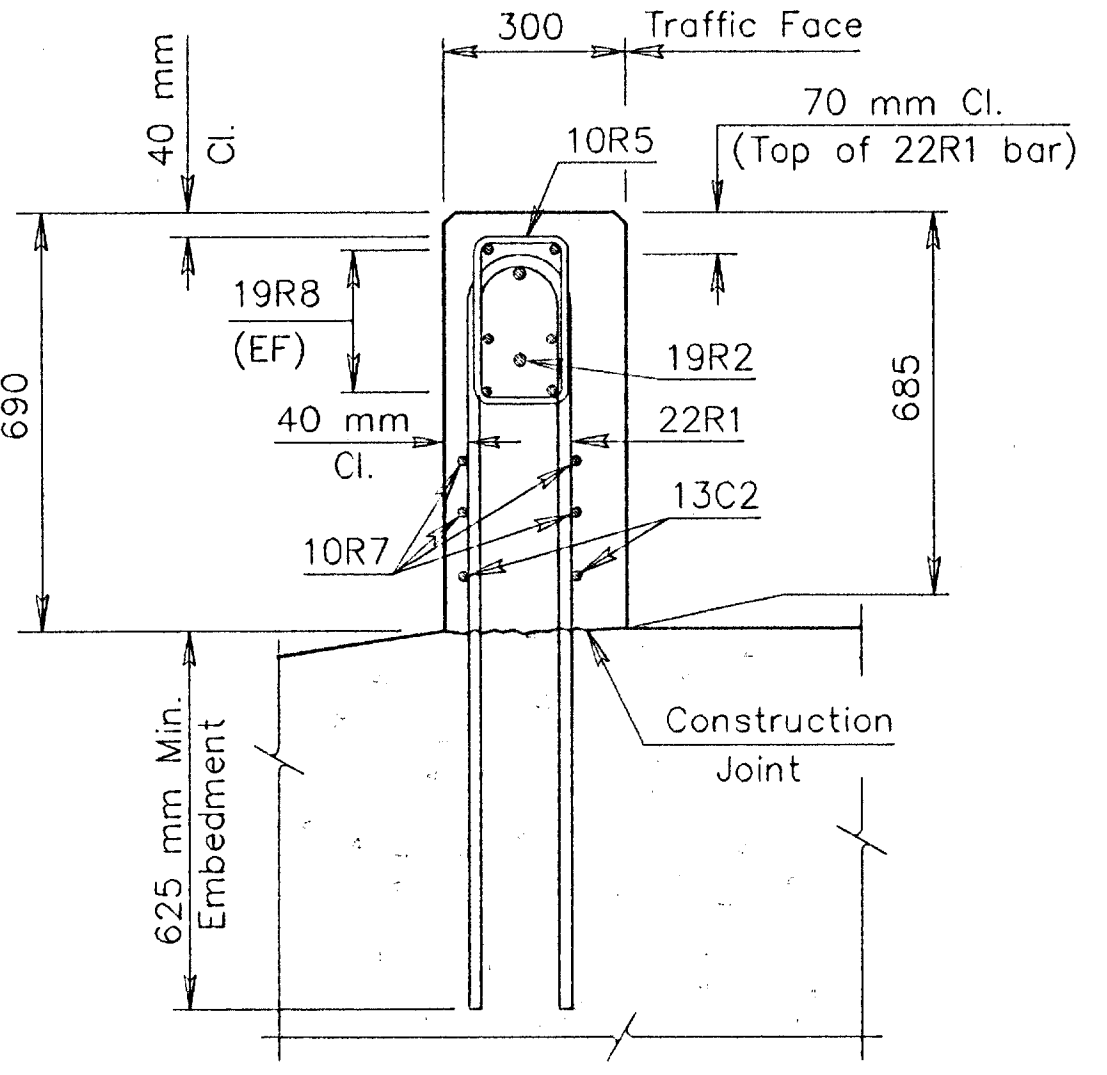
PARTIAL ELEVATION
 (Along Traffic Face)



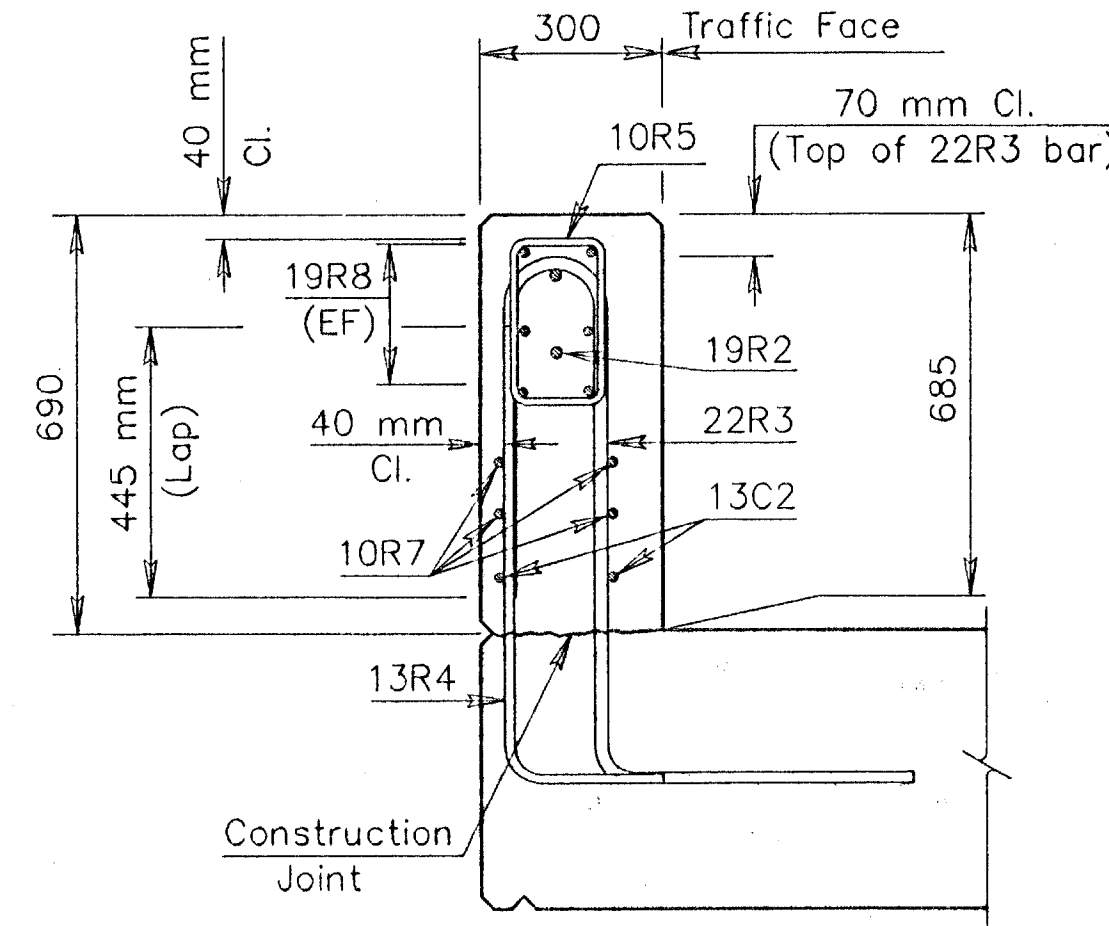
BRIDGE PLAQUE PLACEMENT DETAIL



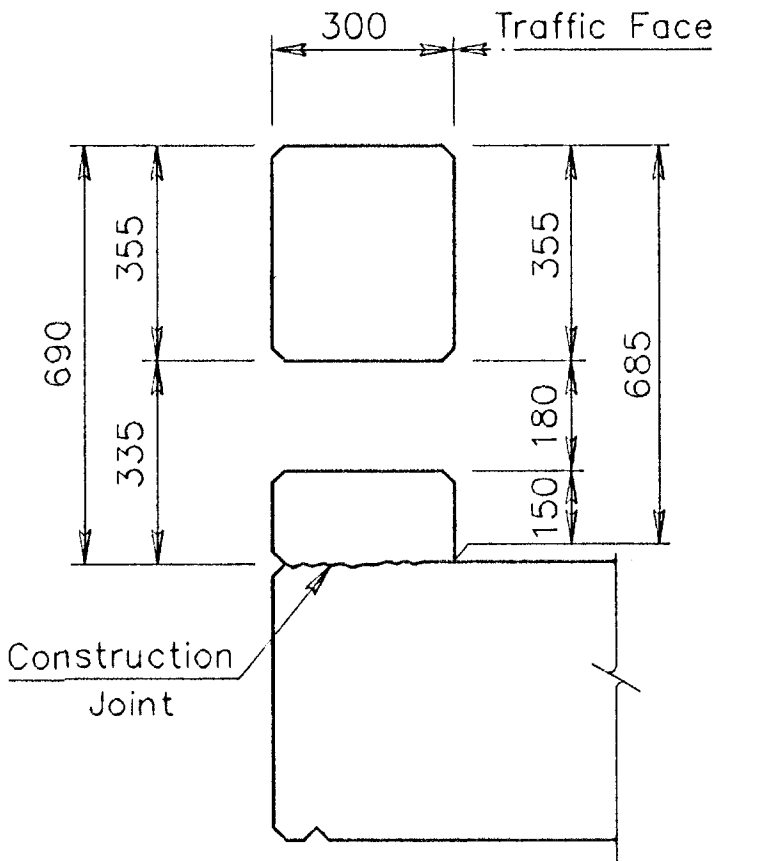
ELEVATION
 (Dimensions at traffic face of rail)



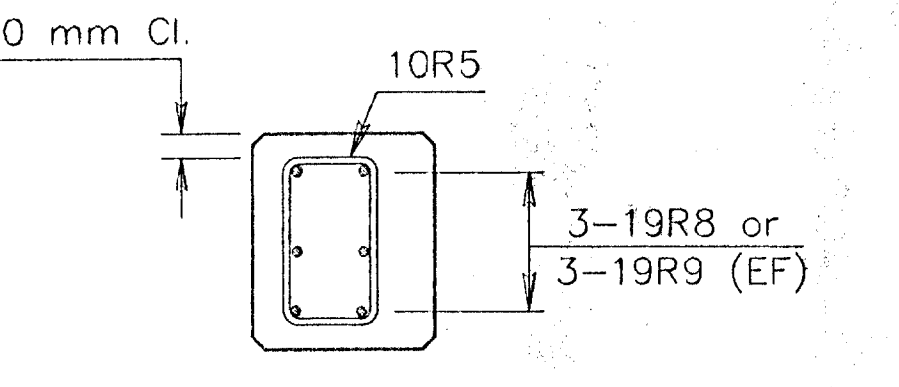
SECTION A-A



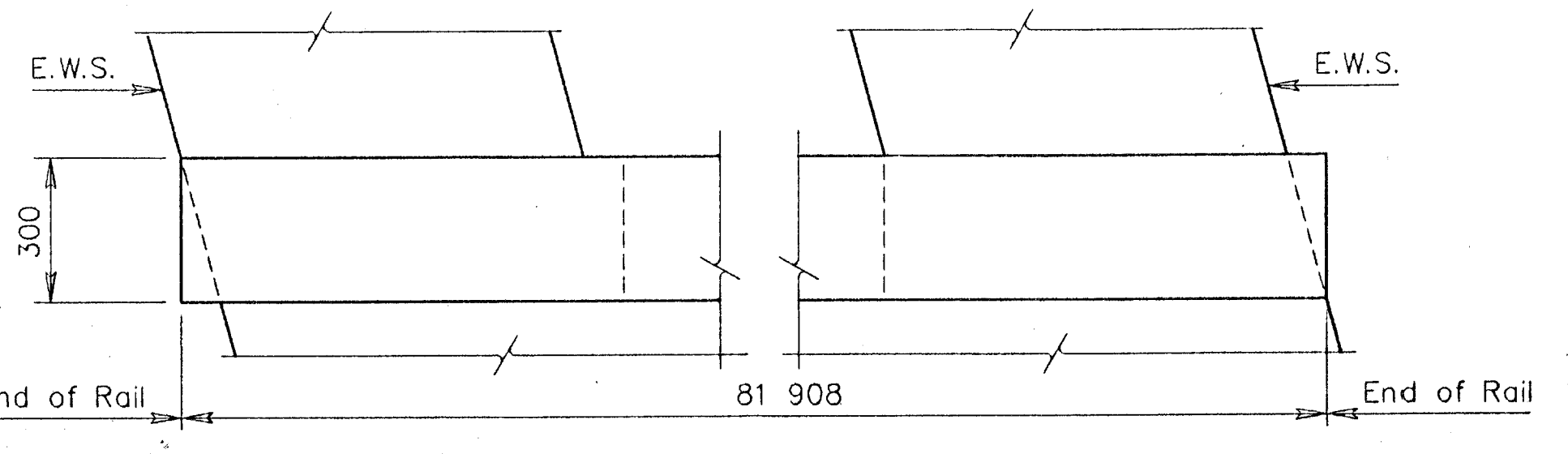
SECTION B-B



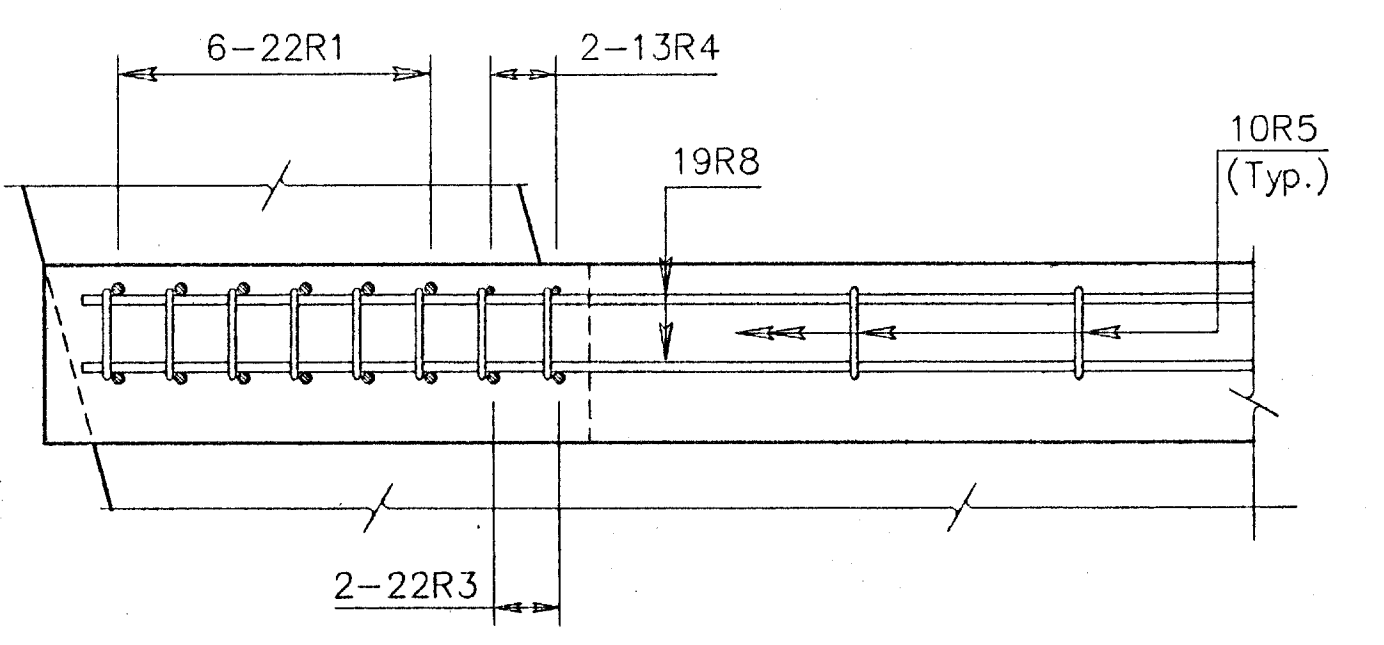
TYPICAL SECTION BETWEEN POST



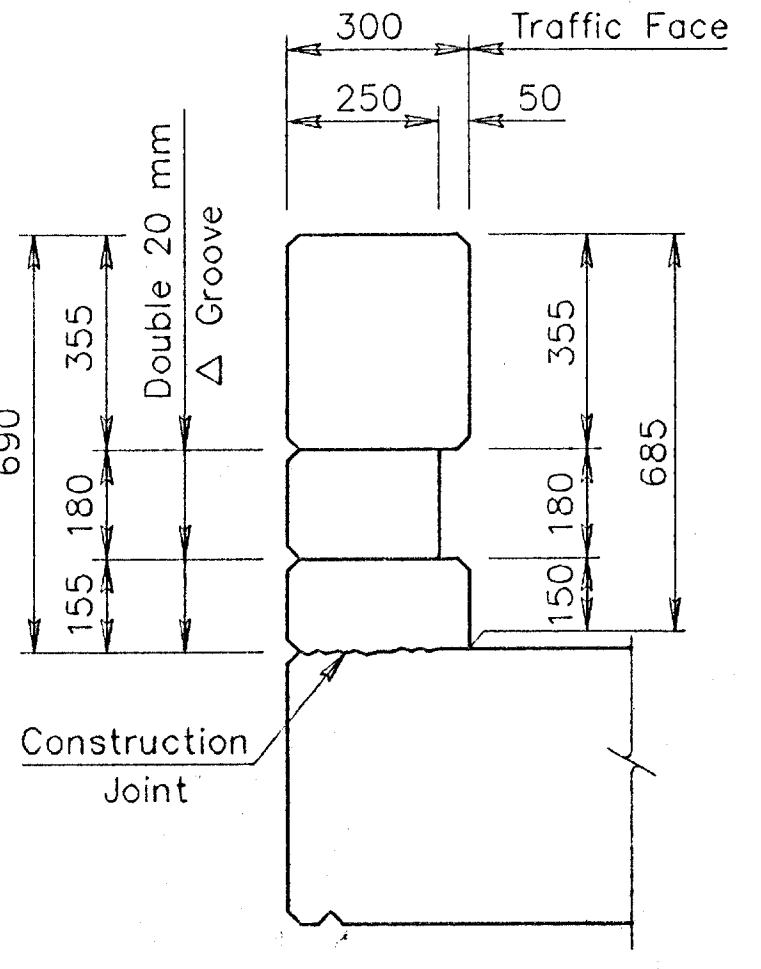
TYPICAL SECTION BETWEEN POST



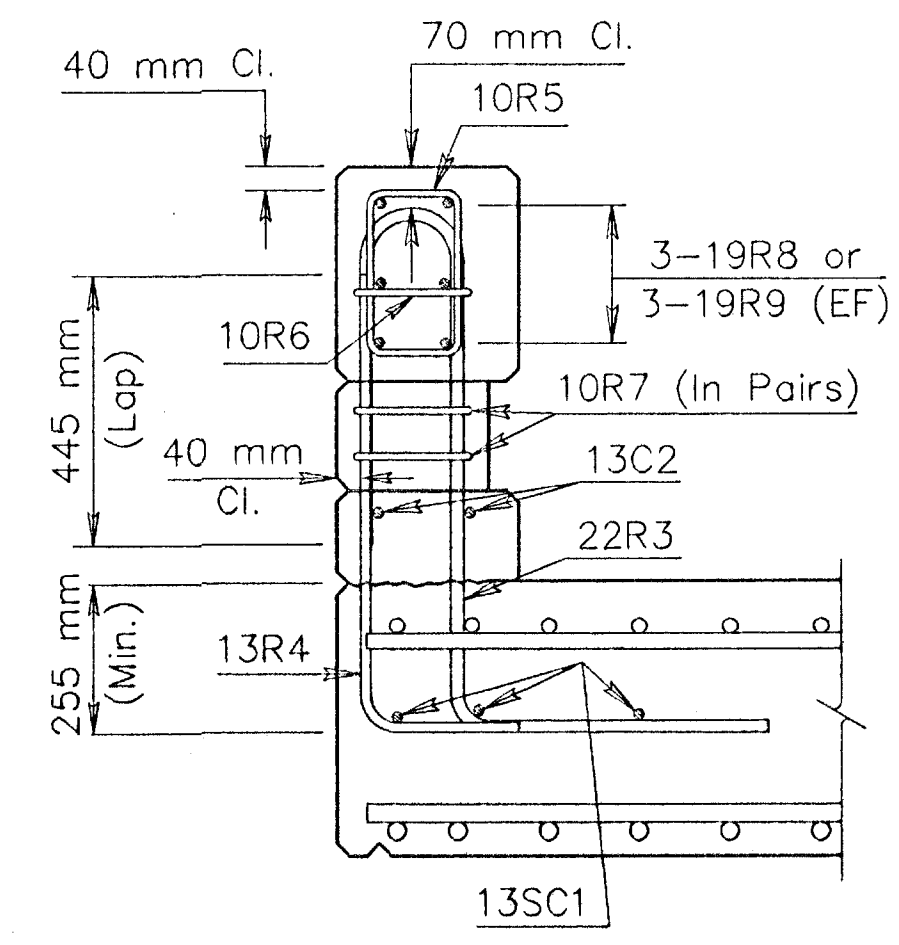
PLAN



SECTION C-C



TYPICAL INTERIOR POST



SECTION THRU POST

3				
2				
1	3-4-96	Current Release		
NO.	DATE	REVISIONS	BY	APP'D
KANSAS DEPARTMENT OF TRANSPORTATION				
GUIDELINES FOR THE				
685 mm KANSAS CORRAL RAIL				
(W-BEAM-WITH-RUBRAIL)				
R.C. HAUNCHED SLAB (With Curb)				
BR183B-SI				
FRVA APPROVAL	3/4/96	APP'D		
DESIGNED	DETAILED	QUANTITIES	CADD	
DESIGN CK.	DETAIL CK.	QUAN. CK.	CADD CK.	

Plotted By : \$USERNAME\$\$
 Server File : \$\$\$\$SYTIME\$\$\$\$
 Server : wtc
 View#
 J:\02517\DWGS\RAIL
 PLOT 1:1 (METRIC)