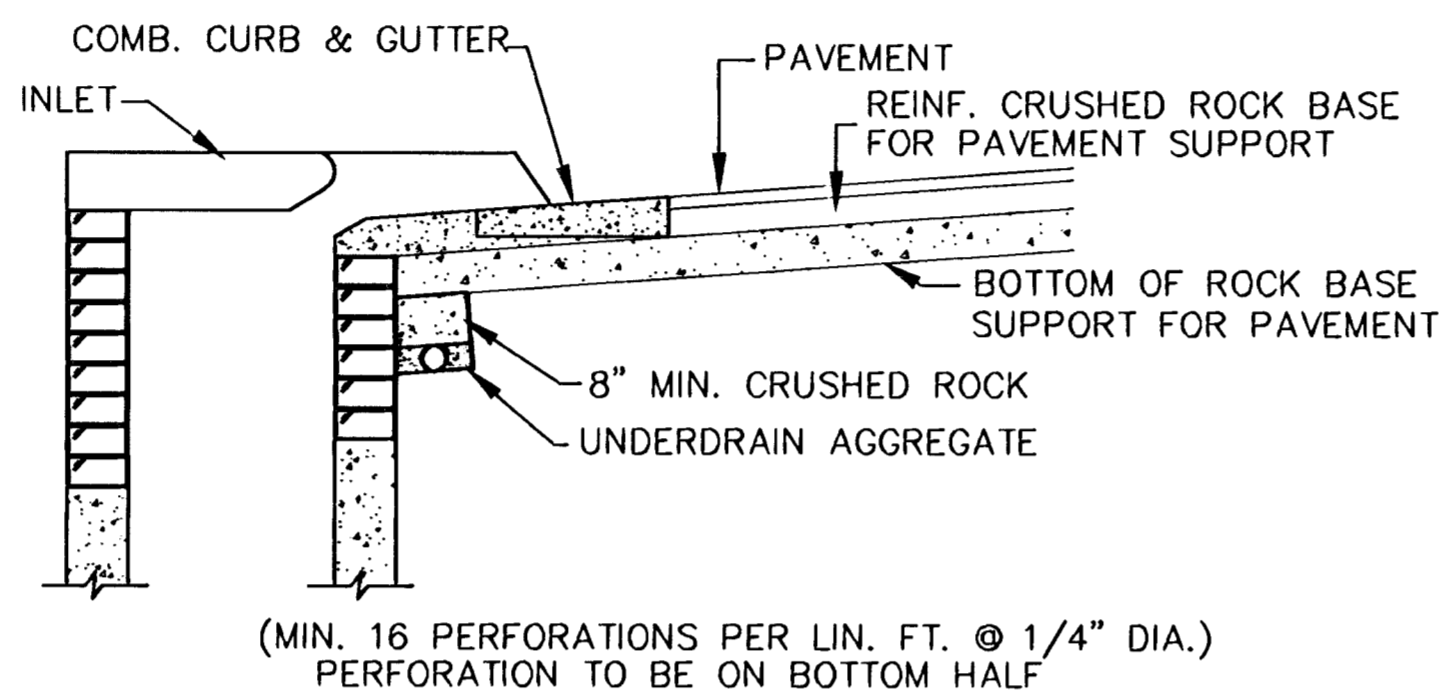


* UNDERDRAIN AGGREGATE
PERCENT OF AGGREGATE RETAINED

1"	0
3/4"	0 to 10
3/8"	45 to 80
#4	90 to 100
#8	95 to 100

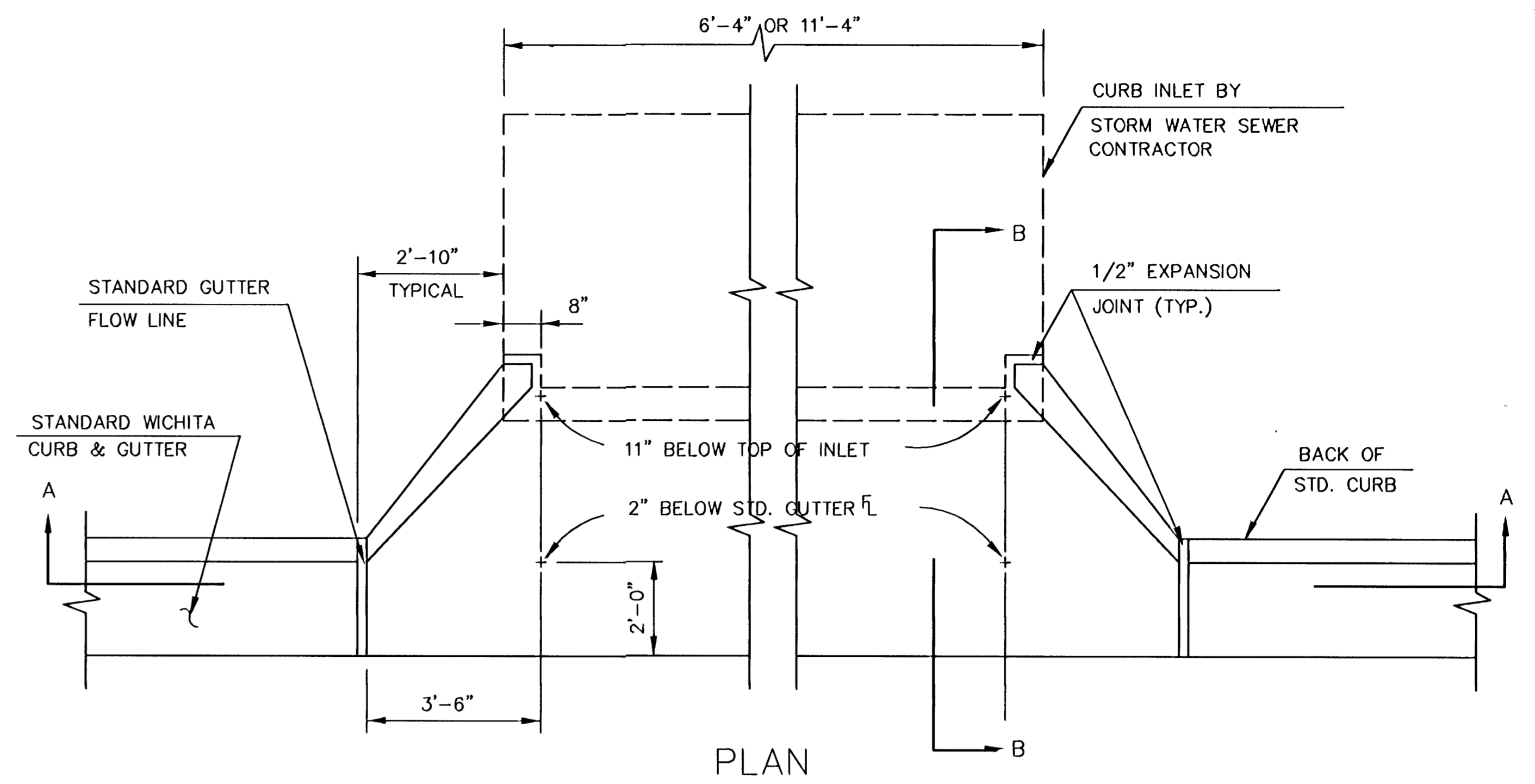
ROCK QUALITY SHALL CONFORM TO THE REQUIREMENTS SPECIFIED BY K.D.O.T. 1990 EDITION STANDARD SPECIFICATION SUBSECTION 1102 FOR DURABILITY CLASS 1.



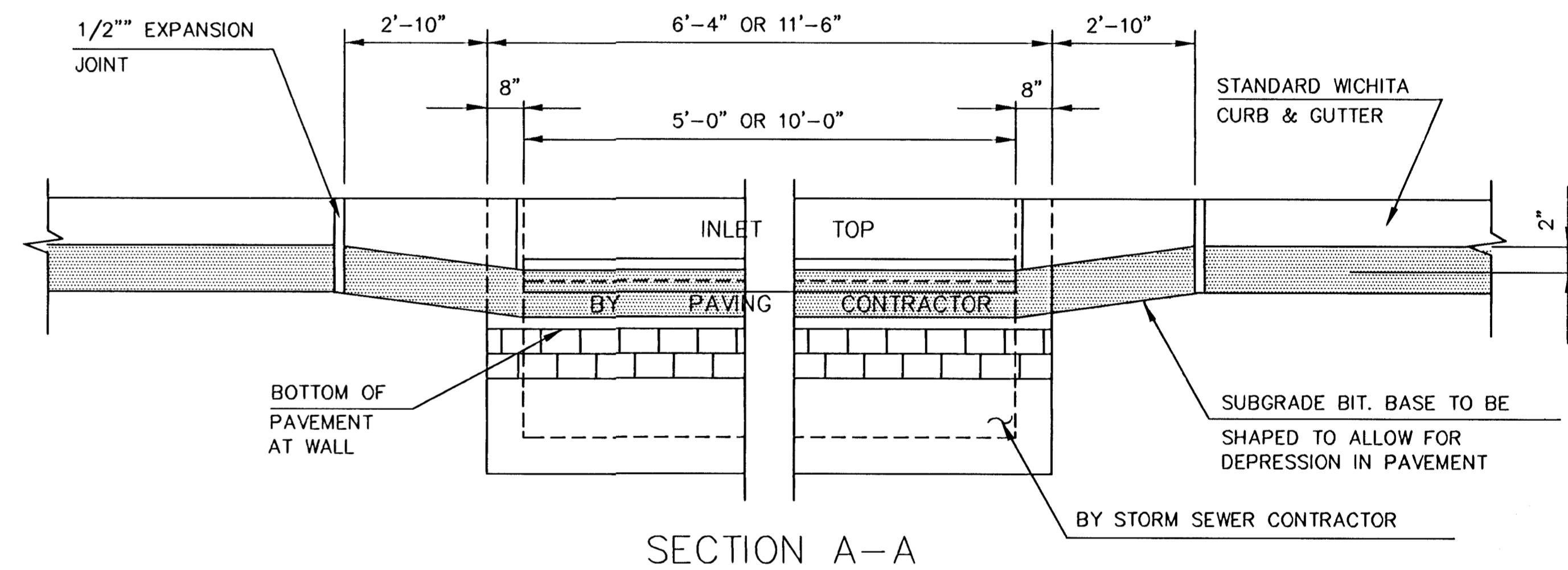
SECTION A-A

NOTE: PLACE 4" PVC PERFORATED PIPE AT ALL DRAINAGE SUMP LOCATIONS. COST OF UNDERDRAIN SYSTEM TO BE INCIDENTAL TO THE REINFORCED CRUSHED ROCK SUBGRADE. INLET TYPE MAY VARY FROM THAT SHOWN.

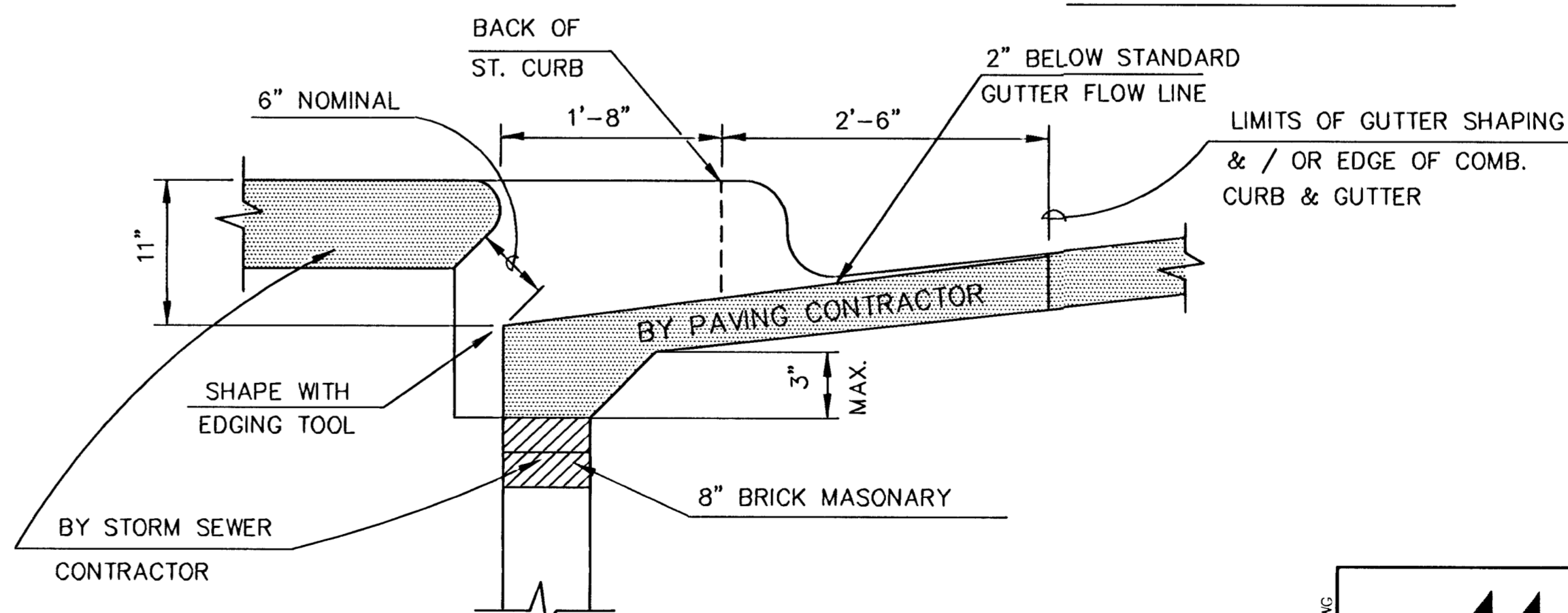
PAVEMENT UNDERDRAIN DETAIL



PLAN



SECTION A-A



SECTION B-B

TYPE 1A INLET HOOKUP

(BY PAVING CONTRACTOR)

GENERAL NOTES

- USE THE CONCRETE MIX SPECIFIED FOR CITY OF WICHITA CONCRETE PAVEMENT. ALL EXPOSED EDGES SHALL BE FINISHED WITH AN EDGING TOOL.
- TYPE 1A INLET HOOKUP WILL BE PAID EACH REGARDLESS OF SIZE.
- ADDITIONAL CURB & GUTTER CONSTRUCTION NECESSARY TO CONNECT SET BACK INLET TO PAVEMENT WILL BE PAID FOR AT THE UNIT PRICE BID FOR EACH INLET HOOKUP. (BY PAVING CONTRACTOR)

H:\GML\02173.DWG\PAV\02173_EP04.DWG

MKEC
ENGINEERING CONSULTANTS
411 N. WEBB ROAD
WICHITA, KS. 67208
316-684-9600

IRONHORSE AT OXFORD ADDITION
PROJECT NAME

INLET HOOK UP & UNDERDRAIN DETAILS
SHEET TITLE

BH DESIGN BY: BFL DRAWN BY: DRK CHECKED BY:

MARCH 2003 DATE: 02173 DRAWING NAME: 12 / 24 SHEET / OF