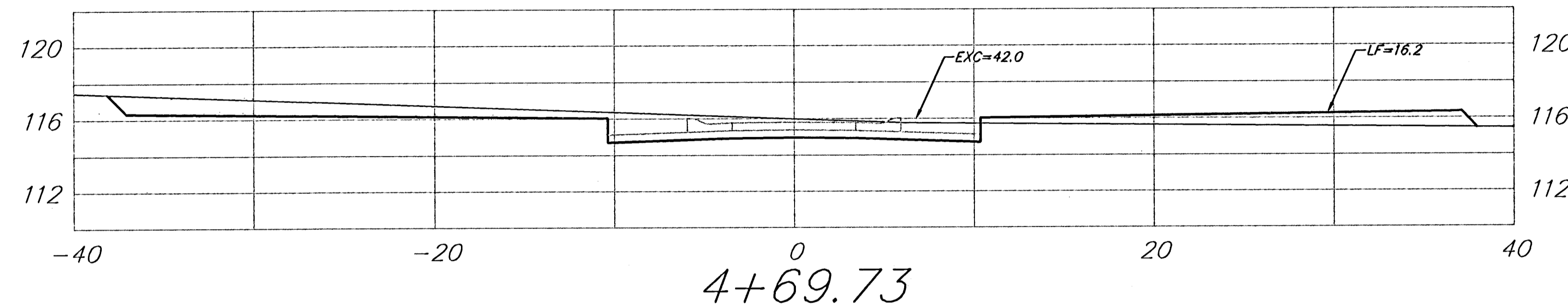
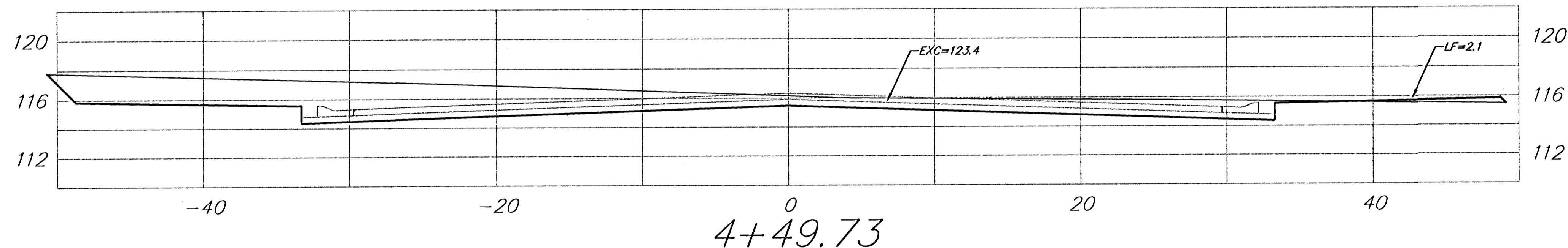


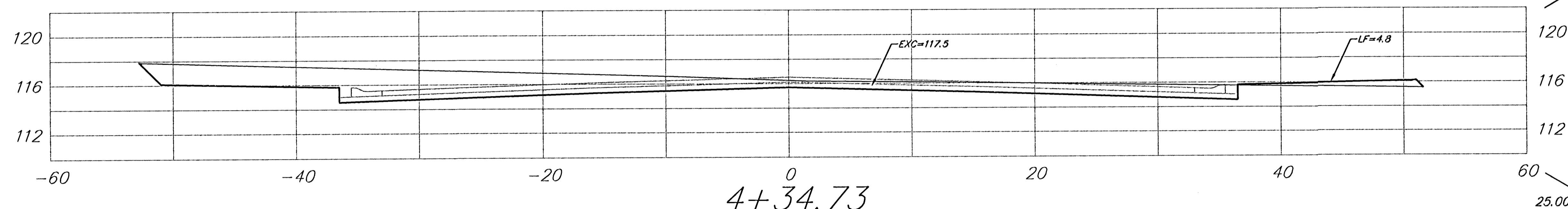
15.00' EXC = 11.7  
LF = 8.8  
CF = 0.0



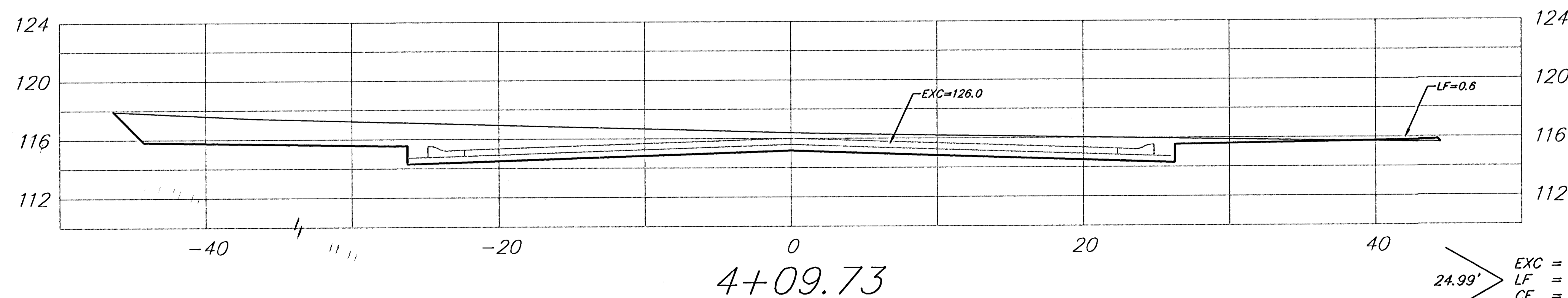
20.00' EXC = 61.3  
LF = 6.8  
CF = 0.0



15.00' EXC = 66.9  
LF = 1.9  
CF = 0.0



25.00' EXC = 112.7  
LF = 2.5  
CF = 0.0



24.99' EXC = 101.3  
LF = 0.3  
CF = 0.0

44TH COURT SOUTH (LOTS 22-35, BLOCK A)

Sheet Totals:  
Excavation = 353.9 C.Y.  
Loose Fill = 20.3 C.Y.  
Compacted Fill = 0.0 C.Y.

<b>BAUGHMAN COMPANY P.A.</b> ENGINEERING, SURVEYING, & PLANNING <small>316-262-7271 • 315 ELLIS • WICHITA, KANSAS 67211</small>	REV.
	SHEET <b>22</b> OF <b>23</b>
PROJECT NUMBER <b>472-83552</b>	