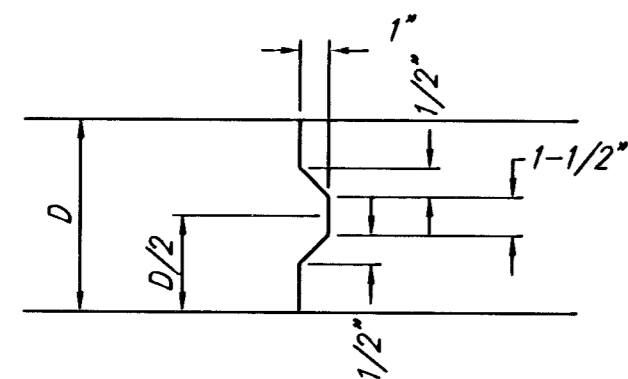
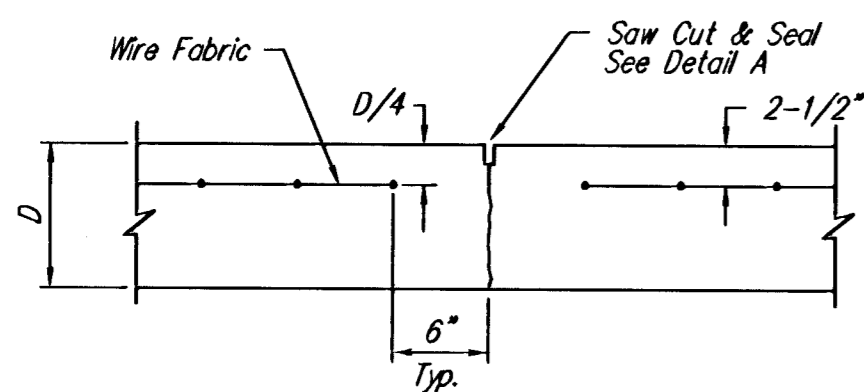


EXPANSION JOINT

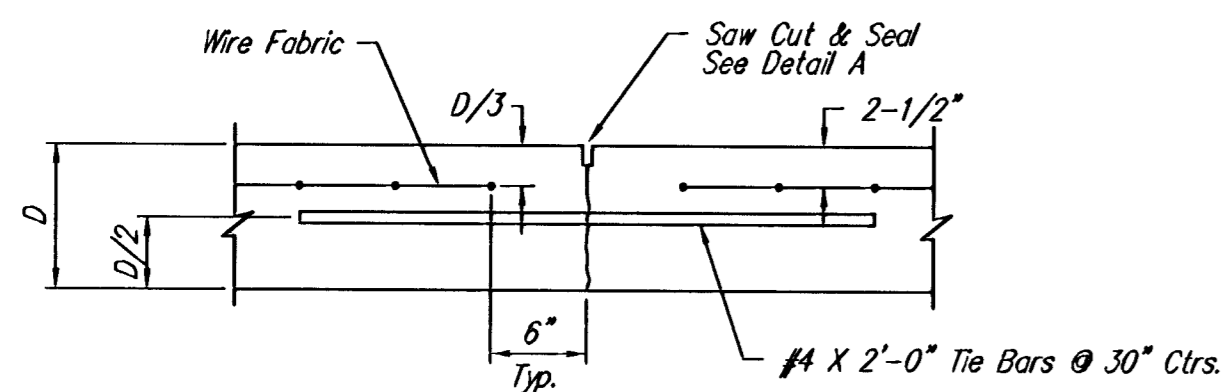
NOTE: Extra Thickness to be Subsidiary to Price of Square Yards Pavement



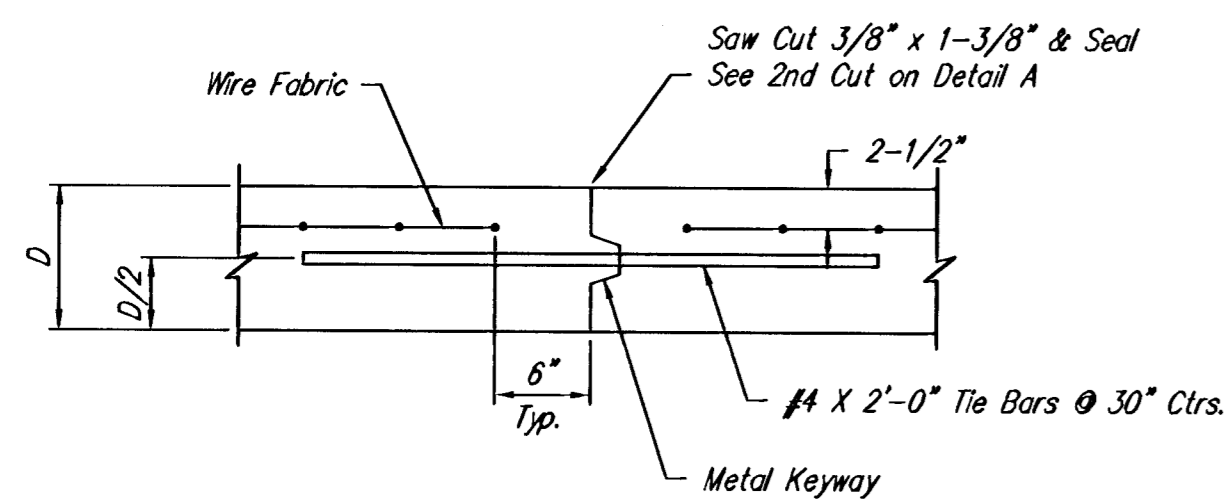
KEYWAY DETAIL



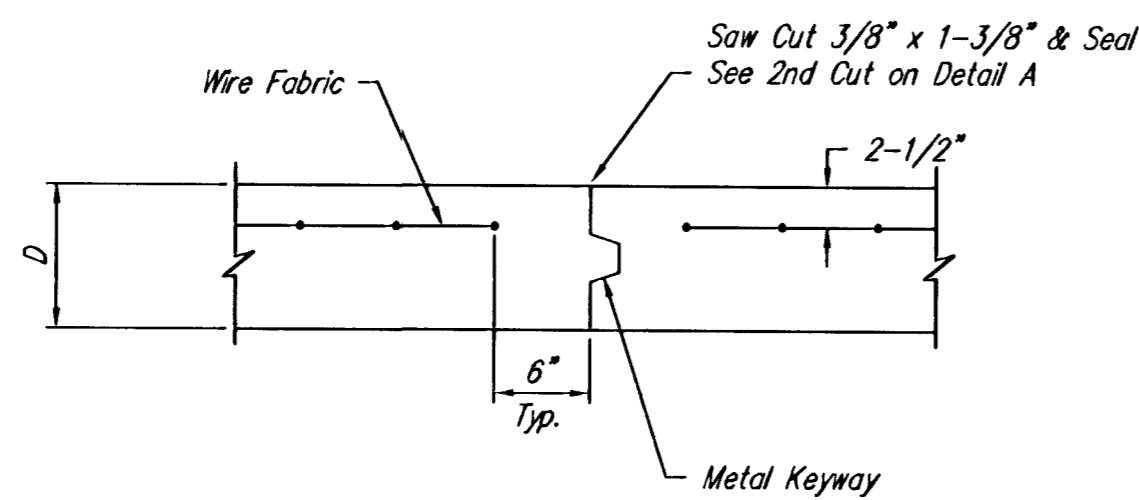
CONTRACTION JOINT DETAIL (C.J.)



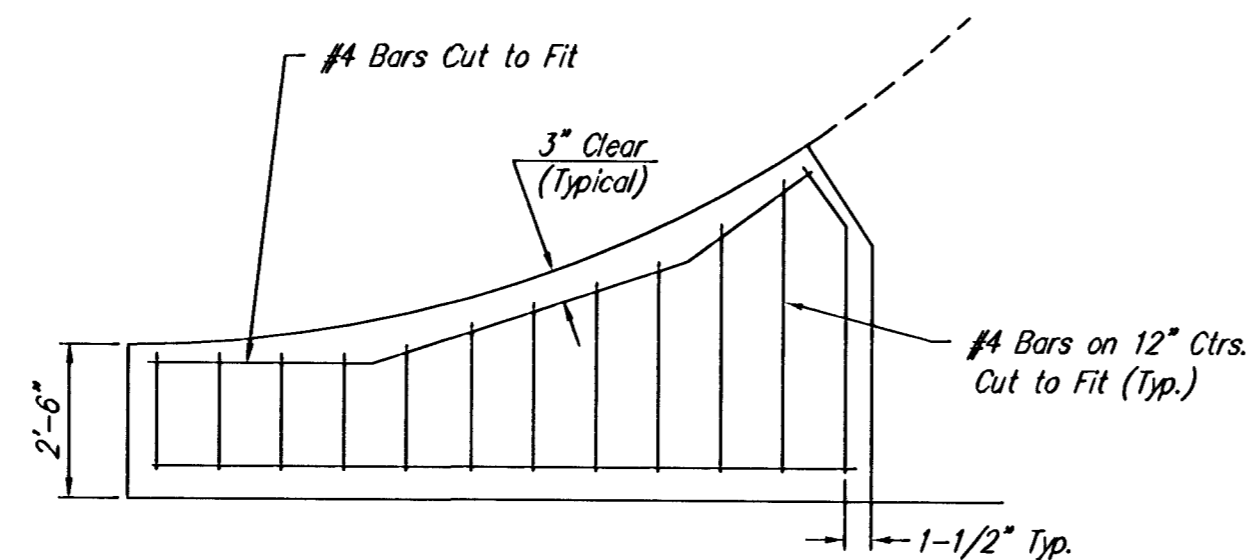
LONGITUDINAL JOINT DETAIL (L.J.)



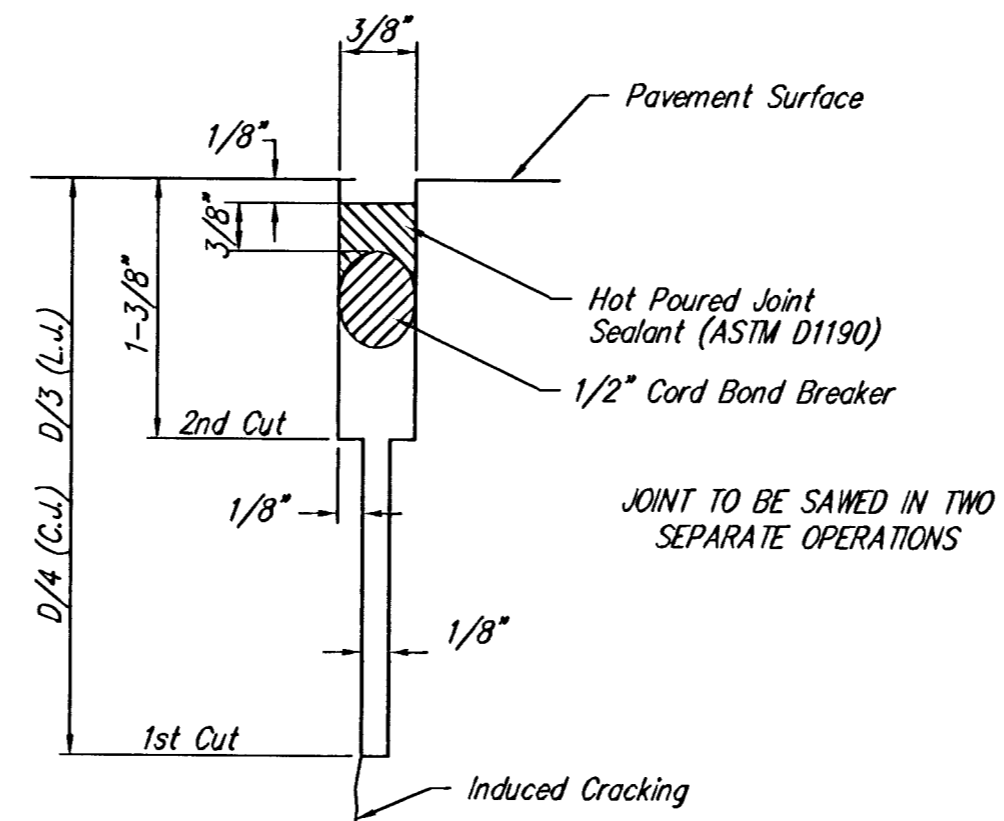
OPTIONAL LONGITUDINAL JOINT DETAIL (L.J.)



OPTIONAL CONTRACTION JOINT

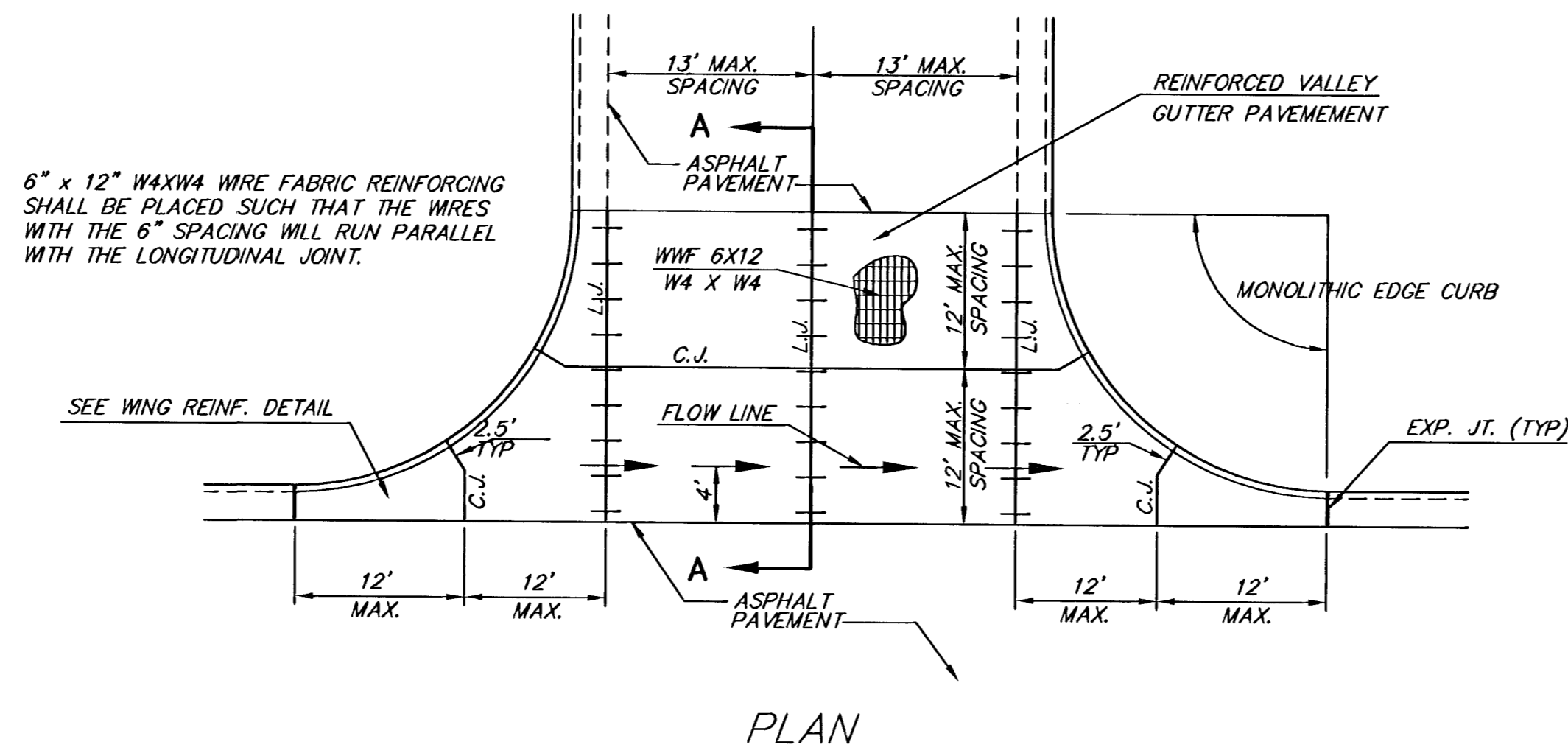


WING REINFORCING DETAIL



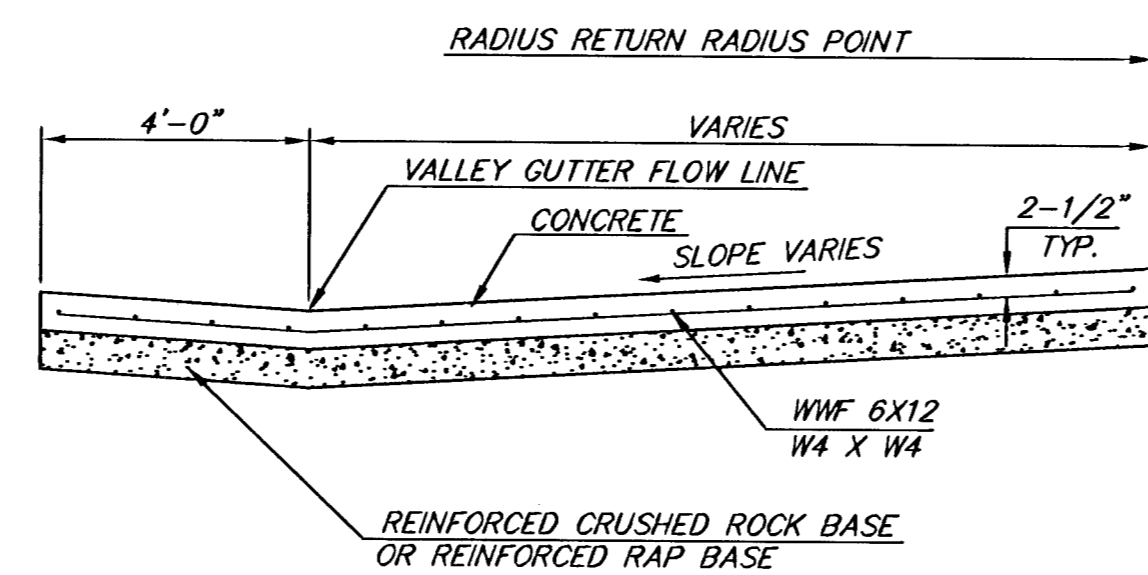
SAW JOINT DETAIL

JOINT TO BE SAWED IN TWO SEPARATE OPERATIONS



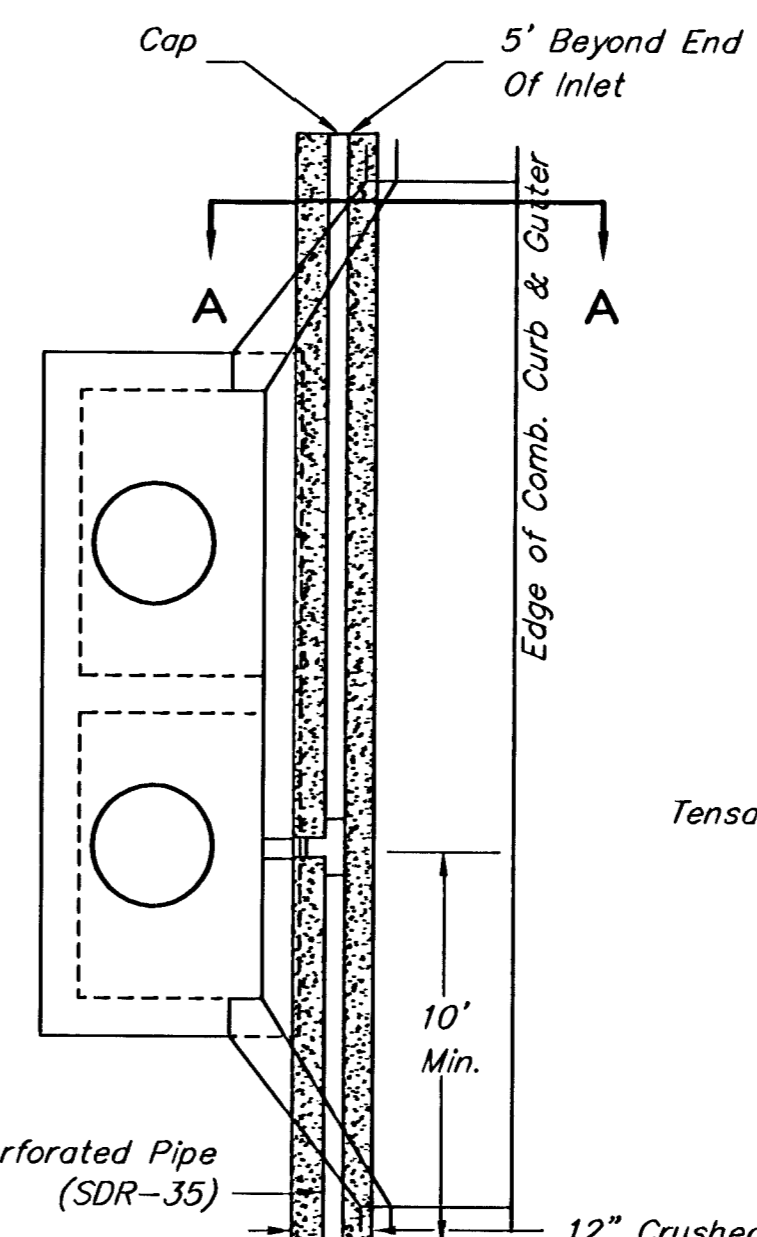
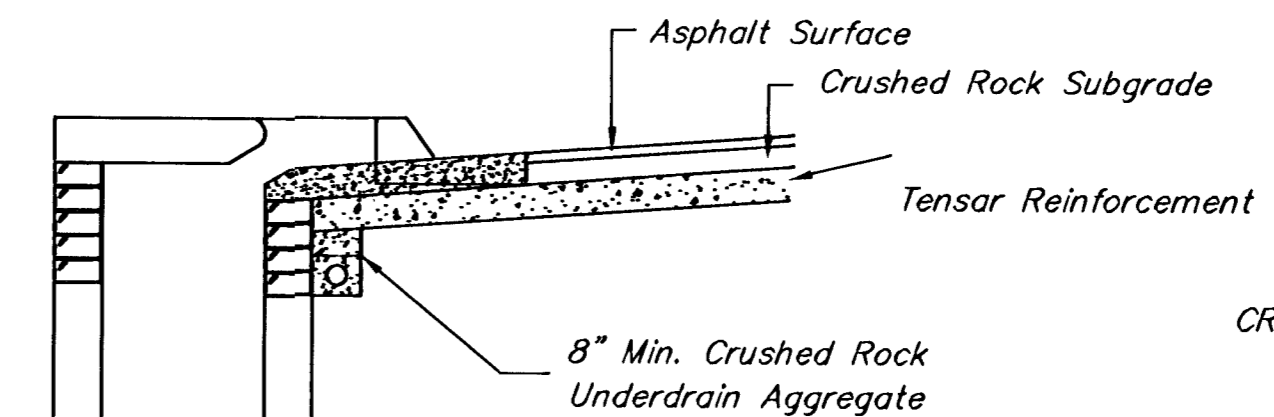
PLAN

6" x 12" WAXW4 WIRE FABRIC REINFORCING SHALL BE PLACED SUCH THAT THE WRES WITH THE 6" SPACING WILL RUN PARALLEL WITH THE LONGITUDINAL JOINT.



SECTION A-A

REINFORCED VALLEY GUTTER DETAIL



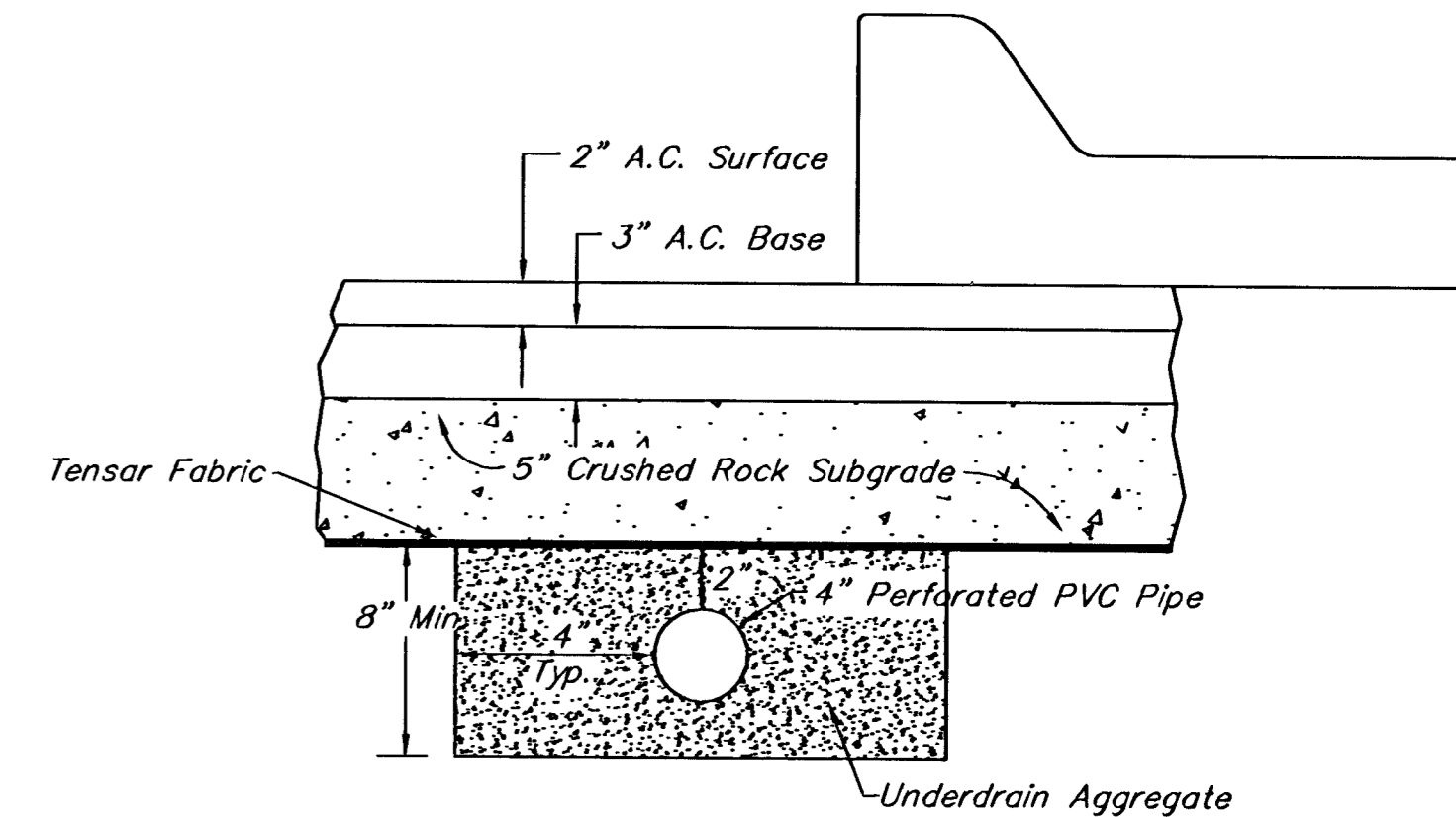
Type 1-A Inlet

PAVEMENT UNDERDRAIN DETAIL

CRUSHED ROCK GRADATION REQUIREMENTS
Percent of Aggregate Retained

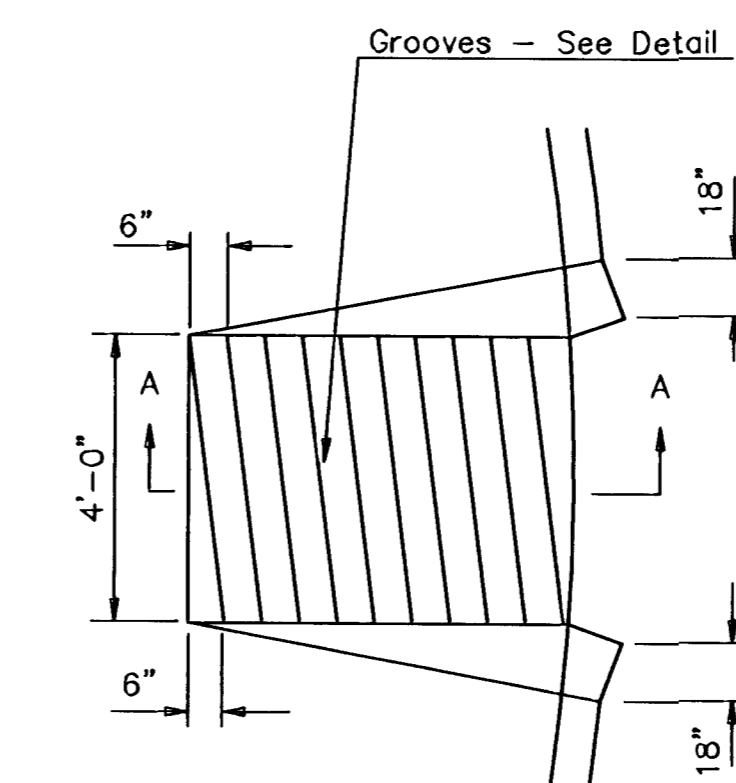
1 1/2"	0
3/4"	15-60
#4	40-80
#40	74-92
P-200	4-12

Rock Quality Shall Be The Same As Specified For Coarse Aggregate For Asphalt Concrete Mixes.

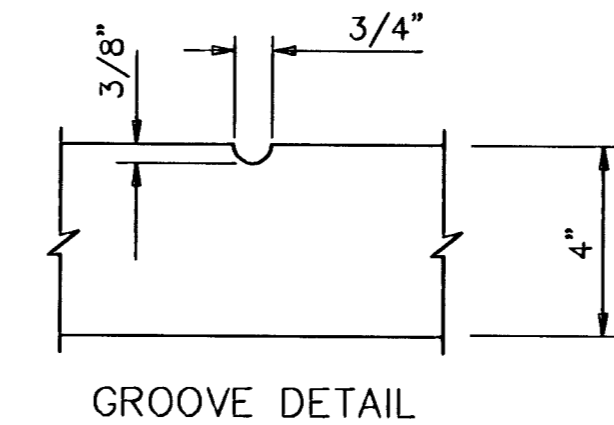


NOTE: Place 4" PVC Perforated Pipe at all drainage sump locations.

Cost of Underdrain System to be incidental to the Reinforced Crushed Rock Subgrade.

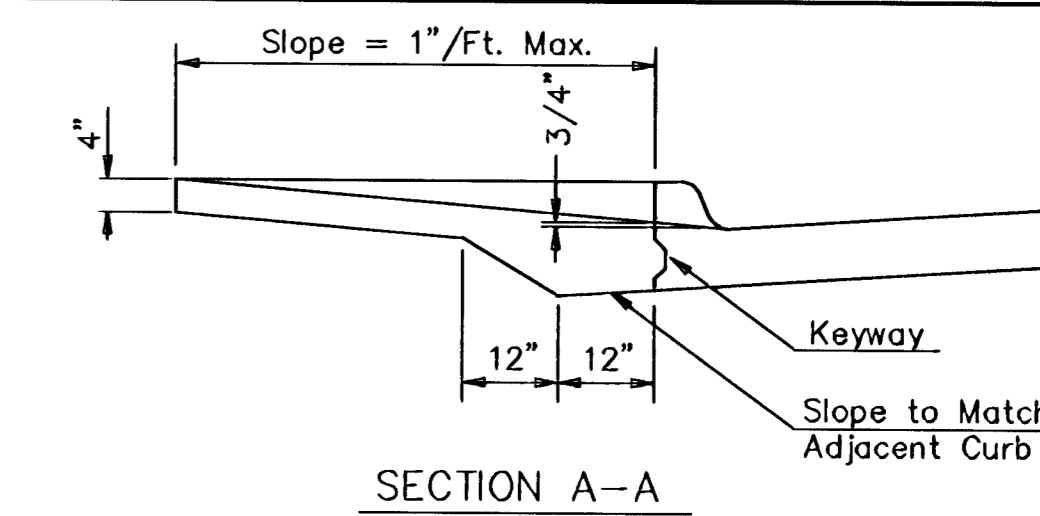


WHEELCHAIR RAMP PLAN VIEW

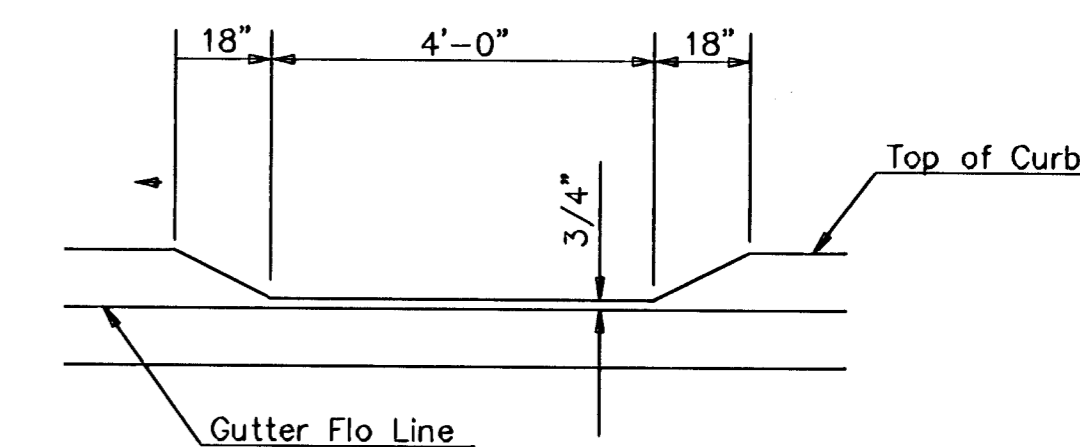


GROOVE DETAIL

WHEELCHAIR RAMP DETAIL



SECTION A-A



DEPRESSED CURB DETAIL

THE CITY OF WICHITA
W
CITY ENGINEER'S OFFICE
CITY HALL - SEVENTH FLOOR
455 NORTH MAIN STREET
WICHITA, KANSAS 67202
(316) 268-4501
(316) 268-4114 FAX

VALLEY GUTTER DETAILS
WHEELCHAIR RAMP
DETAILS

M. E. LINDEBAK P.E. - CITY ENGINEER

PROJECT NUMBER 472-83675 INDEX CODE 765771

DATE MAR 96 SHEET 4 OF 20