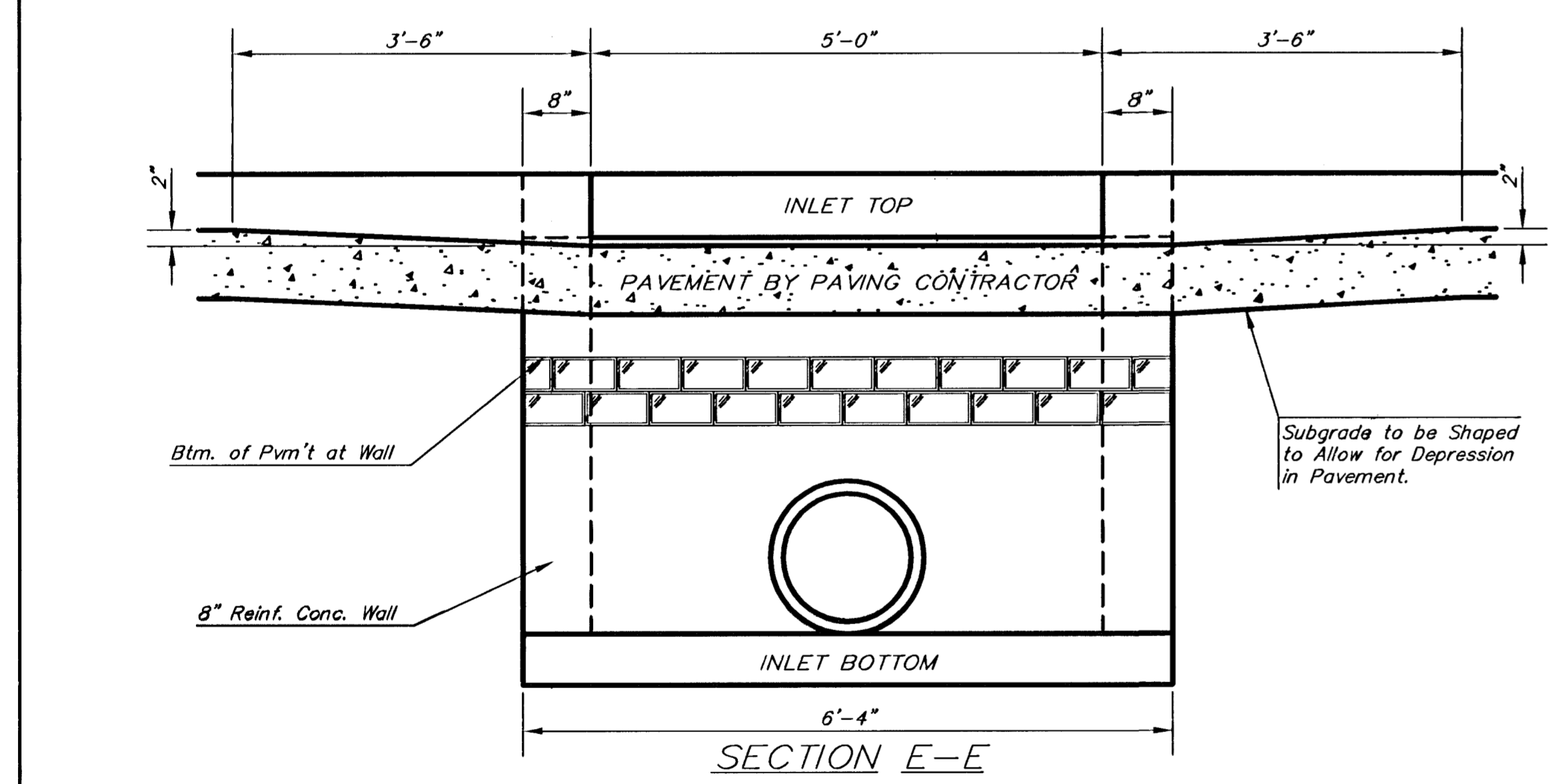
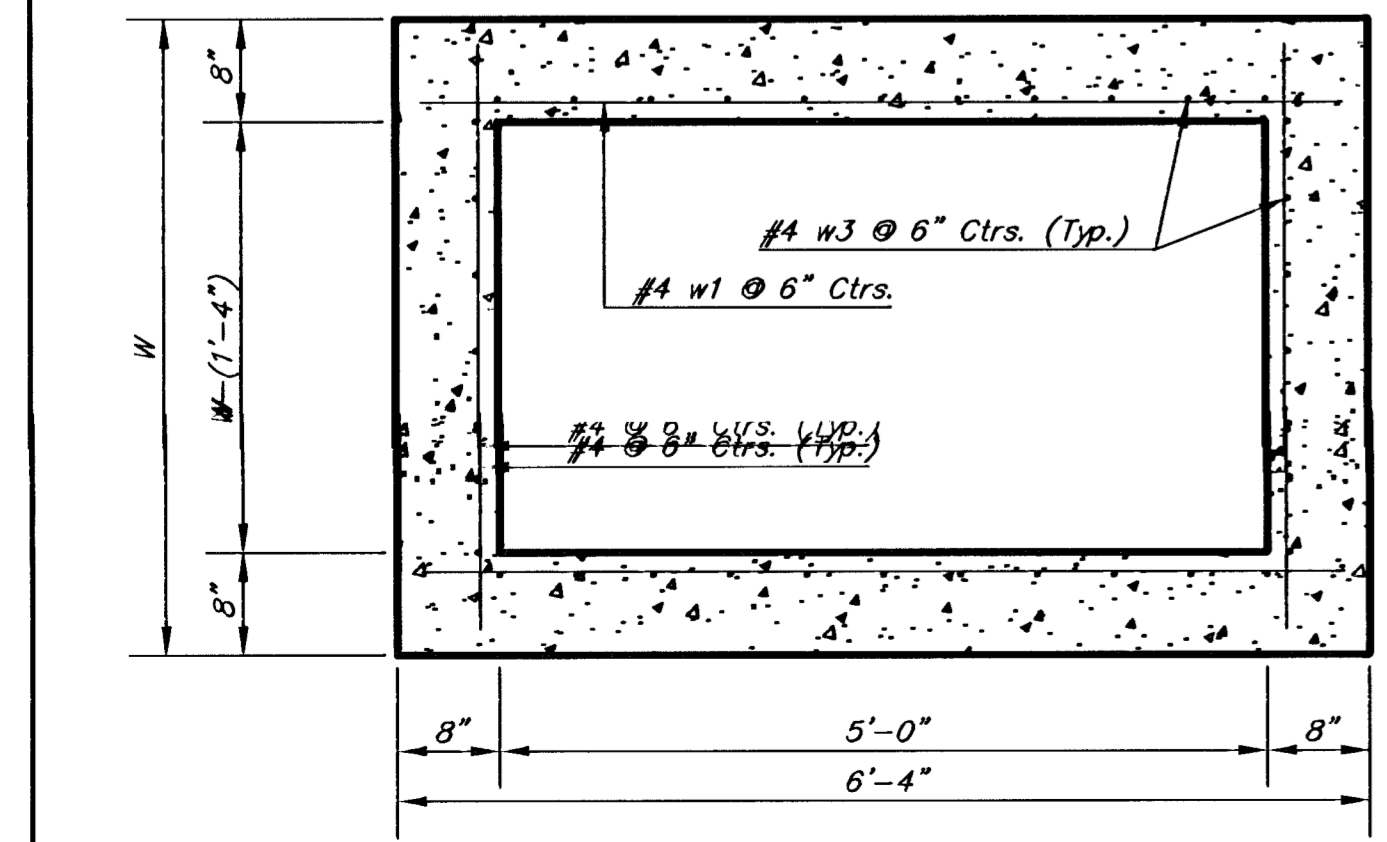


NOTE: Expansion Joint Only in Curb Area With Concrete Pavement.

PLAN



SECTION E-E



SECTION D-D

NOTE: Contractor shall have the option of constructing 8\"/>

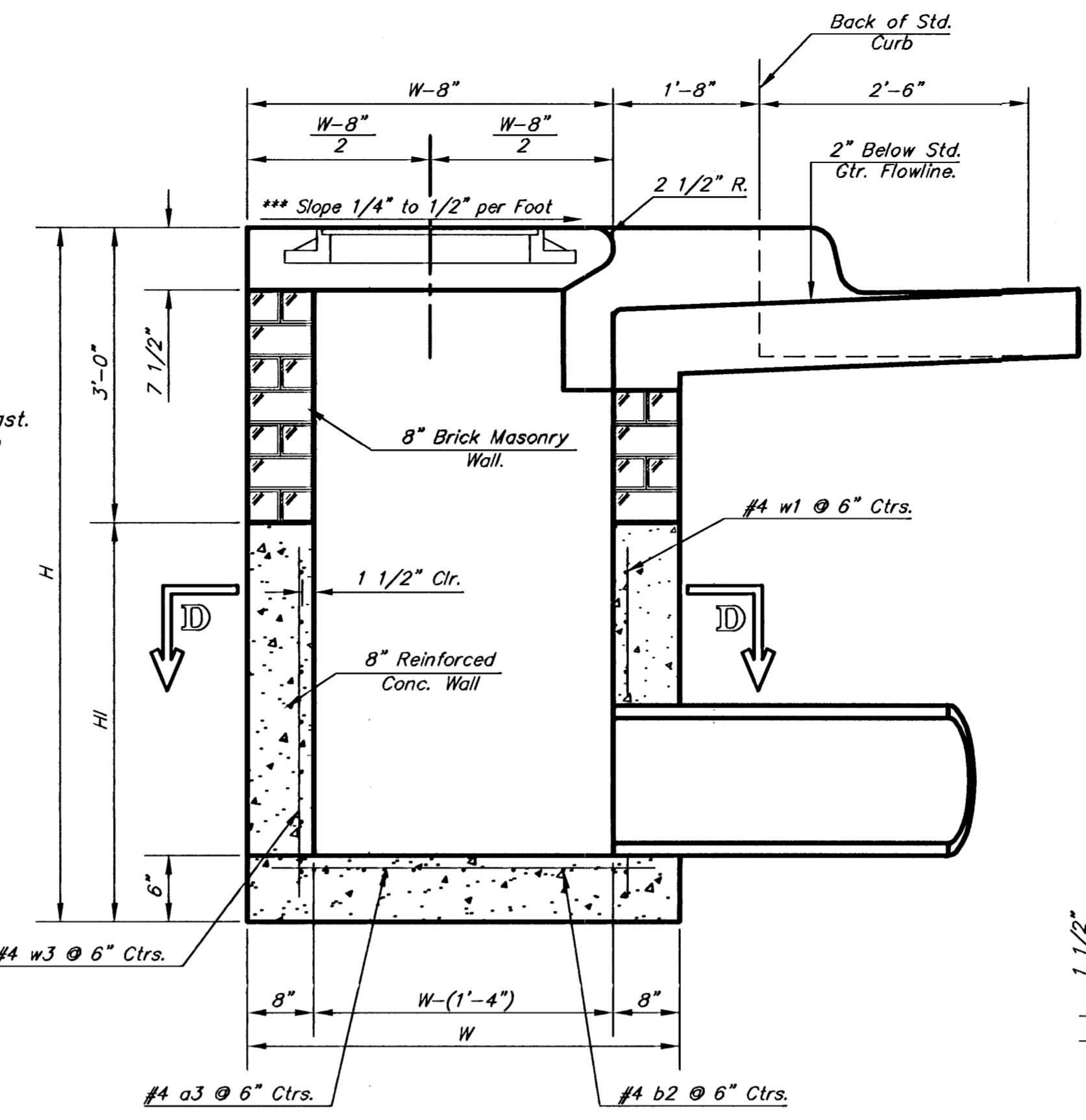
Additional curb and gutter construction necessary to ensure self-cleaning pavement will be paid for at the unit price bid for each inlet hookup.

Inlet invert shall be shaped with 8 sack sand mix concrete to create flow channels and to increase hydraulic efficiency such that the inlet will be self-cleaning between all inlet and/or outlet pipes.

The ends of all pipes installed in inlets shall be cut off flush with the inside face of the inlet wall

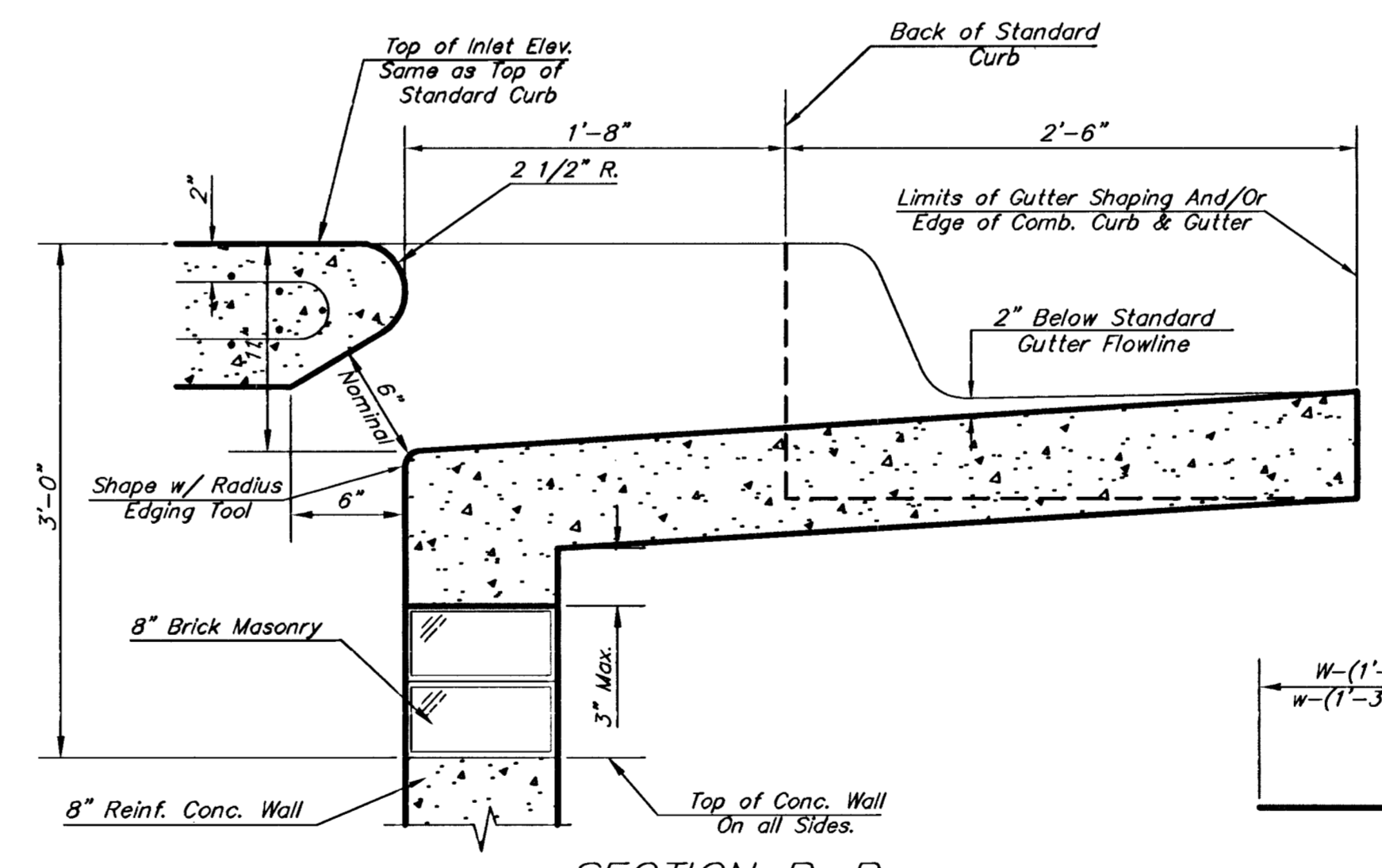
NOTE: Inlet Top Reinforcing shall be Spaced on 6\"/>

NOTE: Concrete Tops to be installed on thin mortar cushion to insure full support along brick walls. Concrete tops may be cast in place or precast. Concrete used for inlet construction shall be concrete pavement mix with air entrainment.

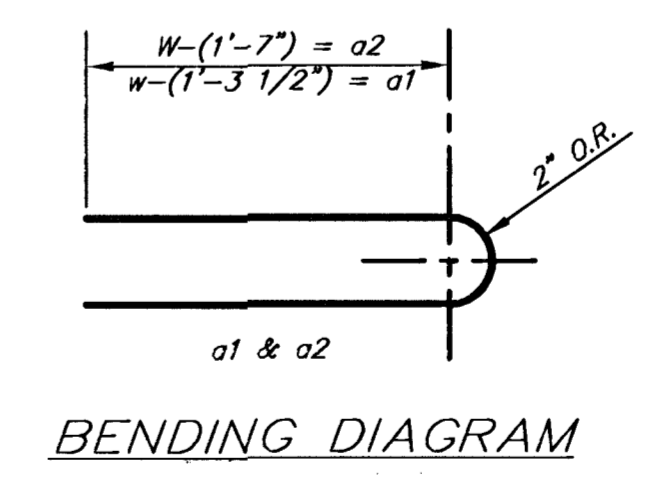


SECTION A-A

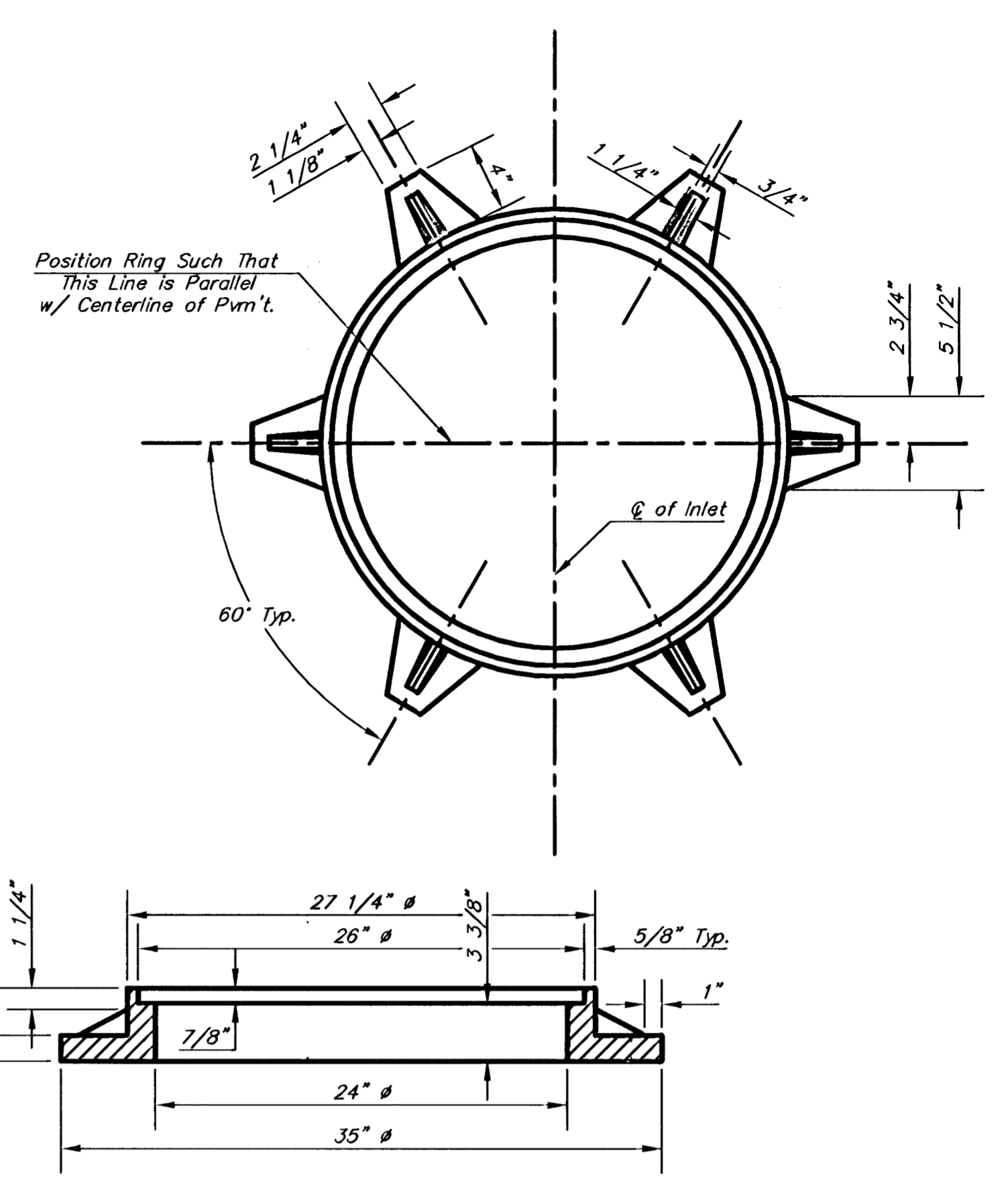
\*\*\*NOTE: Slope of Inlet tops to Match Sidewalk or Parking Slopes within Limits Indicated.



SECTION B-B

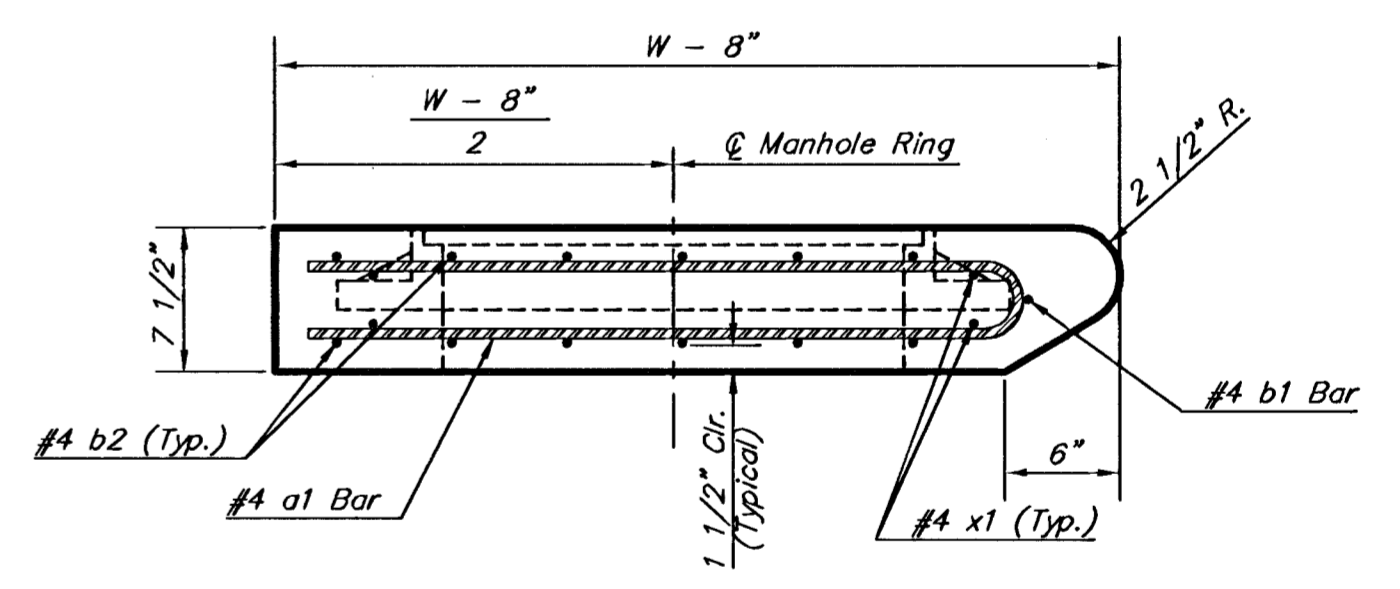


BENDING DIAGRAM



MANHOLE RING AND COVER

Weight = 180 Lbs.  
\*See City of Wichita Standard Manhole Ring and Cover Detail Sheet for Cover Details to Be Used With Inlet Frame.



SECTION A-A

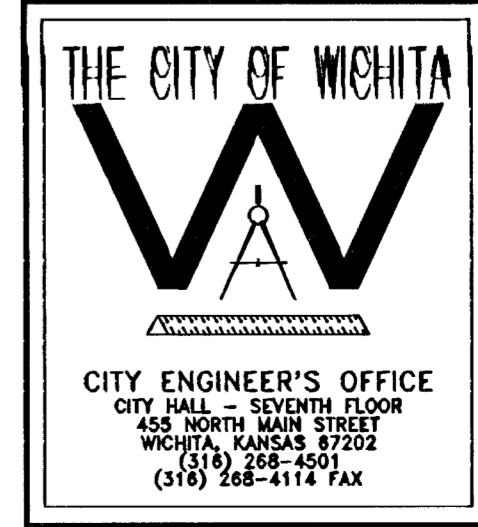
PRECAST SLAB AND FLOOR REINFORCING											
MARK	SIZE	W = 4'-4"		W = 5'-4"		W = 6'-4"		W = 7'-4"		W = 8'-4"	
		NO.	LENGTH	NO.	LENGTH	NO.	LENGTH	NO.	LENGTH	NO.	LENGTH
a1	#4	6	6'-7"	6	8'-7"	6	10'-7"	6	12'-7"	6	14'-7"
a2	#4	4	6'-0"	4	8'-0"	4	10'-0"	4	12'-0"	4	14'-0"
a3	#4	13	4'-1"	13	5'-1"	13	6'-1"	13	7'-1"	13	8'-1"
w1	#4	1	6'-9"	1	8'-9"	1	10'-9"	1	12'-9"	1	14'-9"
w2	#4	2	5'-10"	2	4'-2"	2	4'-5"	2	4'-10"	2	5'-2"

WALL REINFORCING											
MARK	SIZE	W = 4'-4"		W = 5'-4"		W = 6'-4"		W = 7'-4"		W = 8'-4"	
		NO.	LENGTH	NO.	LENGTH	NO.	LENGTH	NO.	LENGTH	NO.	LENGTH
w1	#4	1	6'-1"	1	6'-1"	1	6'-1"	1	6'-1"	1	6'-1"
w2	#4	1	4'-1"	1	5'-1"	1	6'-1"	1	7'-1"	1	8'-1"
w3	#4	32	2	36	2	40	2	44	2	48	2

\* Field Bend or Cut Reinforcing as Required for Clearance.  
① 4 (H1 - 12') (H1 - 21') Rounded down to nearest 0.5'  
② H1 - 3'

STANDARD CURB INLET PRECAST TOPS			
W	PRE-CAST TOP SIZE	PIPE SIZE	CU. YD. CONC.
4'-4"	3'-8" x 6'-4" x 7 1/2"	21" & SMALLER	0.38±
5'-4"	4'-8" x 6'-4" x 7 1/2"	24" & 30"	0.51±
6'-4"	5'-8" x 6'-4" x 7 1/2"	36" & 42"	0.64±
7'-4"	6'-8" x 6'-4" x 7 1/2"	48" & 54"	0.77±
8'-4"	7'-8" x 6'-4" x 7 1/2"	60" & 66"	0.90±



**STANDARD TYPE 1=A CURB INLET**  
OPENING = 6" x 5'-0"

M. E. LINDEBAK P.E. - CITY ENGINEER

PROJECT NUMBER 472-83675 INDEX CODE 765771

DATE MAR 96 SHEET 11 OF 20