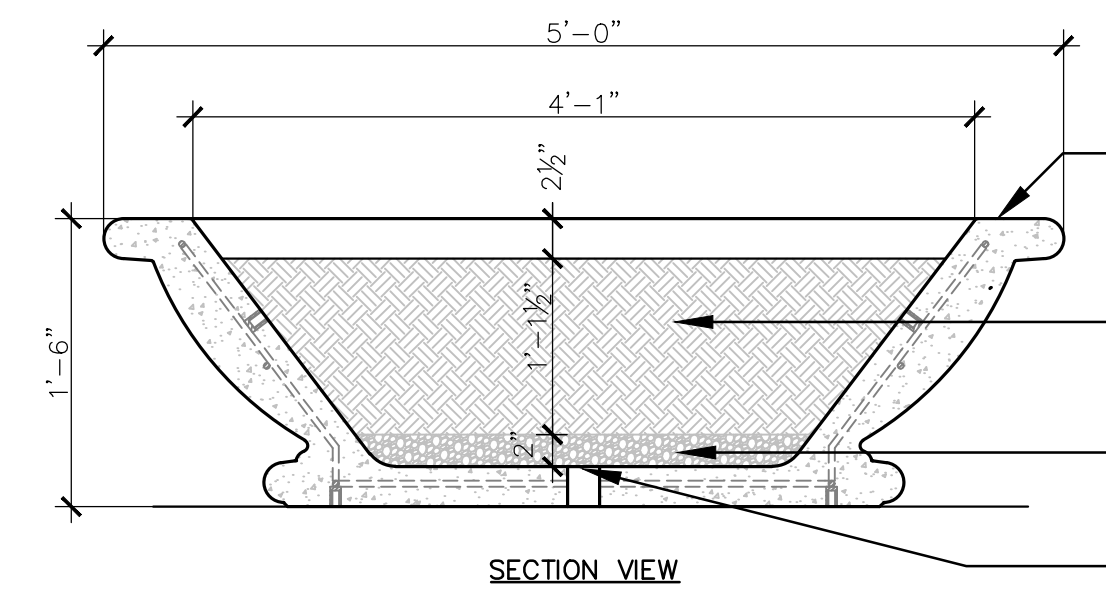


NOTE:
 • VICTOR STANLEY TRASH RECEPTACLE (www.victorstanelly.com), OR APPROVED EQUIVALENT.
 • ITEM NUMBER: S-42
 • COLOR: BLACK
 • SURFACE MOUNT TO CONC. PAVING. IF LOCATED ON PAVERS EXTEND ANCHOR BOLTS INTO CONC. BASE.

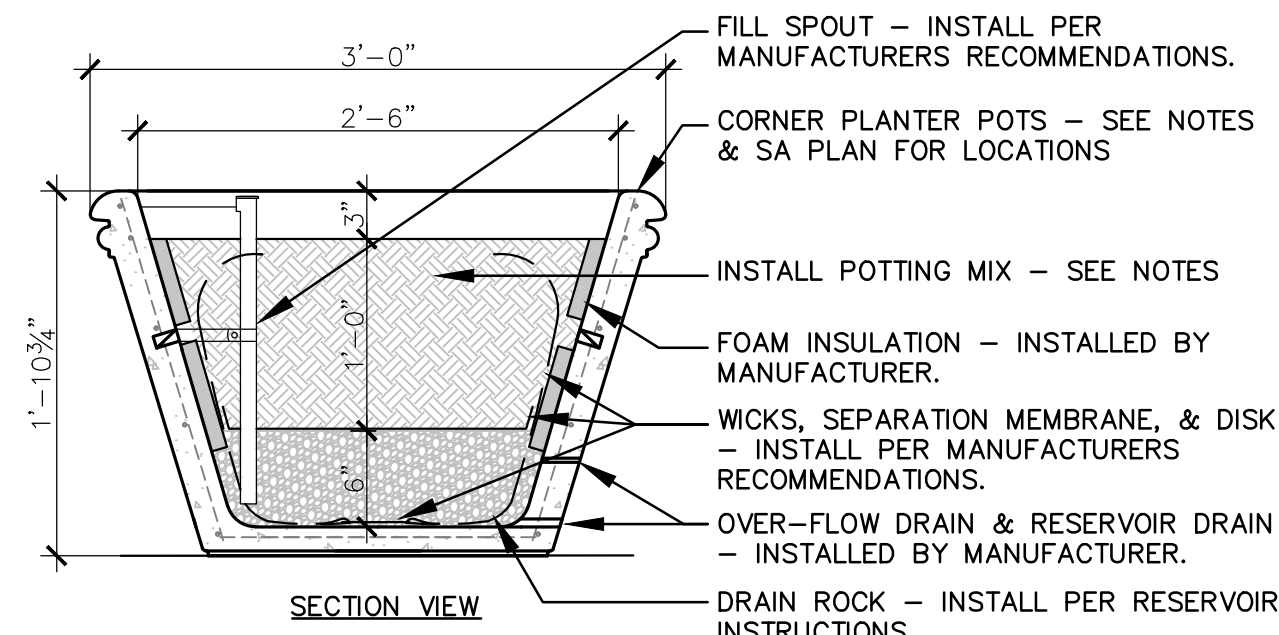
12 TRASH RECEPTACLE

POTTING MIX NOTE:
 INSTALL A PRE-MANUFACTURED SOILLESS POTTING MIX (PROVIDE CUT SHEET FOR APPROVAL) CONSISTING OF PEAT MOSS (OR CORI), COMPOST, & PERLITE (OR VERMICULITE). ADD A SLOW RELEASE FERTILIZER, A MYCORRHIZA, & HYDROGEL TO THE MIX PER MANUFACTURERS INSTRUCTIONS.



CORNER PLANTER POTS - SEE NOTES & SA PLAN FOR LOCATIONS
 PLANTER POT SOIL MIX - SEE NOTES
 PLACE 2" OF DRAIN ROCK IN BOTTOM OF POT. USE THE SAME ROCK AS POTS B & C
 INSTALL WIRE MESH OVER DRAIN HOLE IN PLANTER POT. OVERLAP 1" MIN. & SILICON IN PLACE.

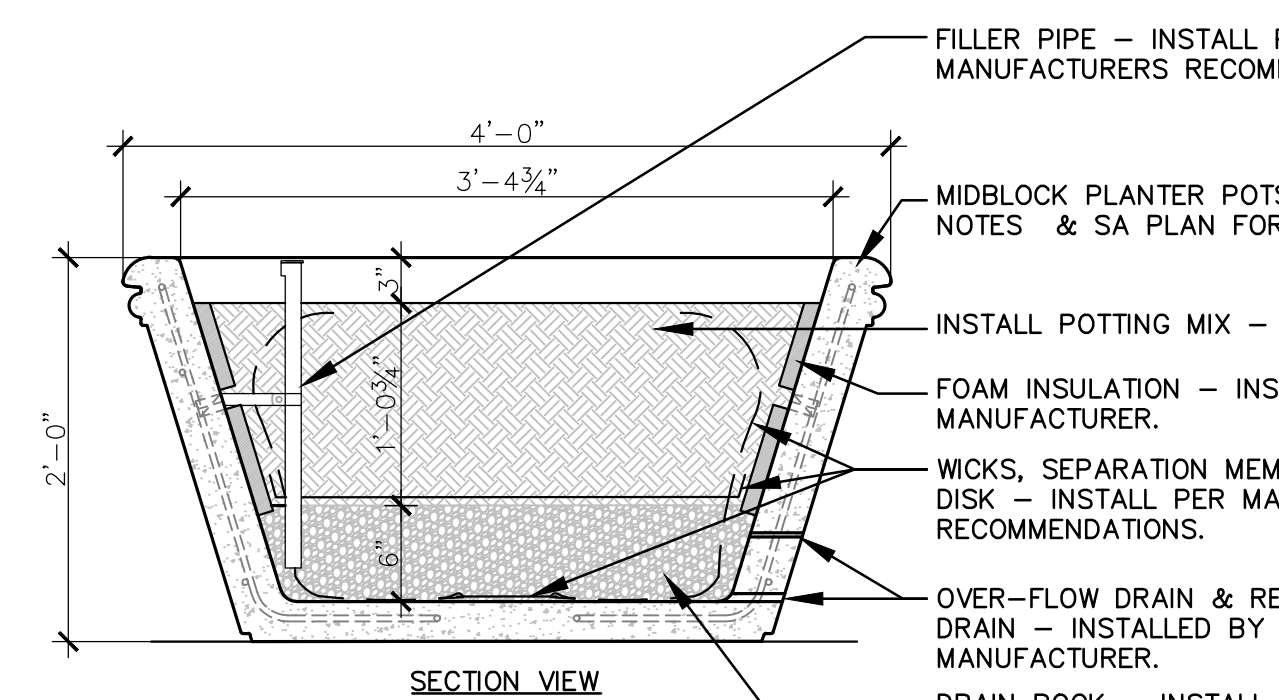
13 PLANTER POT - A



POTTING MIX NOTE:
 INSTALL A PRE-MANUFACTURED SOILLESS POTTING MIX (PROVIDE CUT SHEET FOR APPROVAL) CONSISTING OF PEAT MOSS (OR CORI), COMPOST, & PERLITE (OR VERMICULITE). ADD A SLOW RELEASE FERTILIZER, A MYCORRHIZA, & HYDROGEL TO THE MIX PER MANUFACTURERS INSTRUCTIONS.

6. Planter Pots. On details 14 and 15 Sheet SA2.2, the foam insulation, fill spout, wicks, and plugs (model number TF4900) shall be eliminated from the planter pot. Replace 6" of drain rock in the bottom with 2" depth.

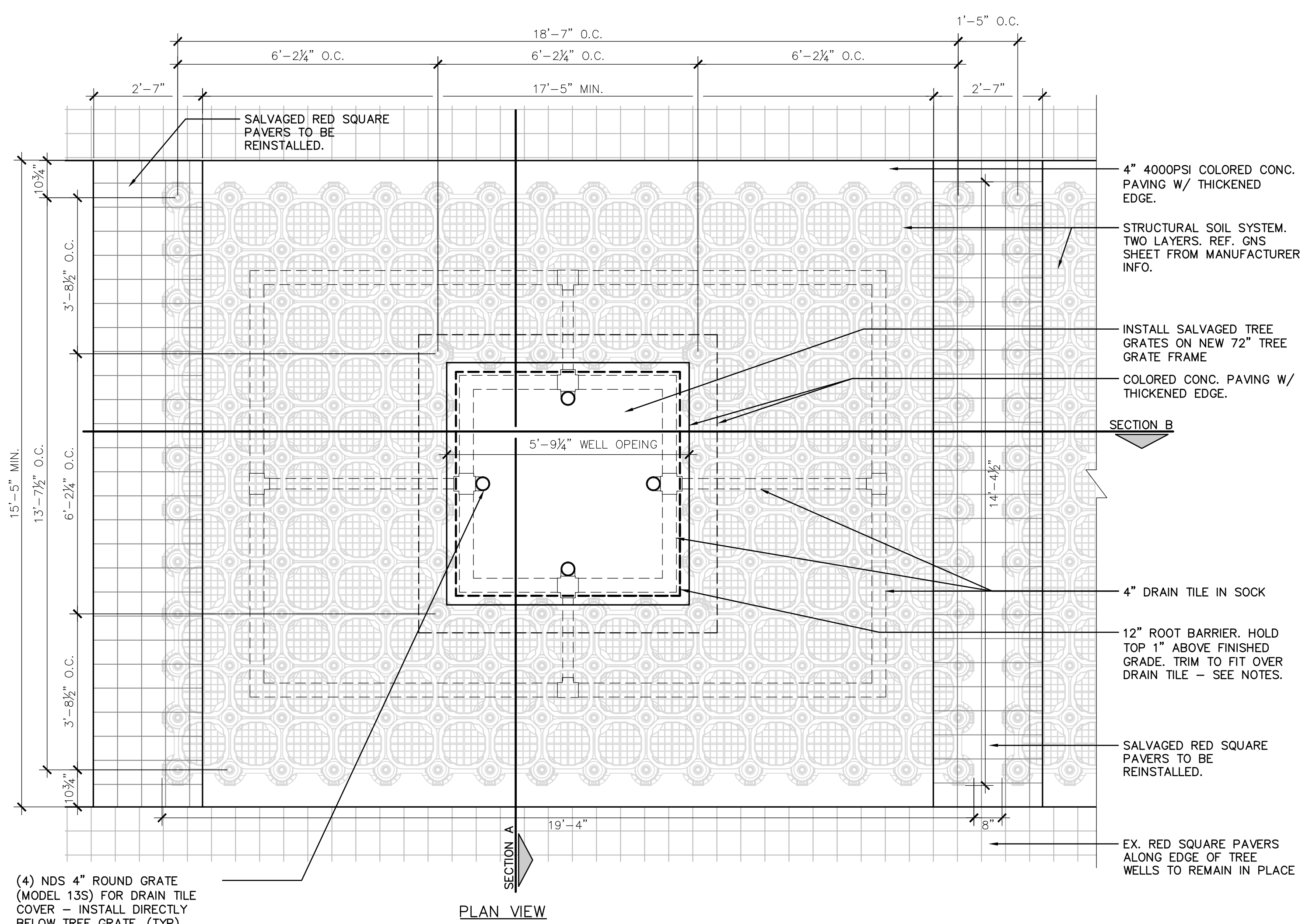
14 PLANTER POT - B



POTTING MIX NOTE:
 INSTALL A PRE-MANUFACTURED SOILLESS POTTING MIX (PROVIDE CUT SHEET FOR APPROVAL) CONSISTING OF PEAT MOSS (OR CORI), COMPOST, & PERLITE (OR VERMICULITE). ADD A 12-14 MONTH SLOW RELEASE FERTILIZER, A MYCORRHIZA, & A HYDROGEL TO THE MIX PER MANUFACTURERS INSTRUCTIONS.

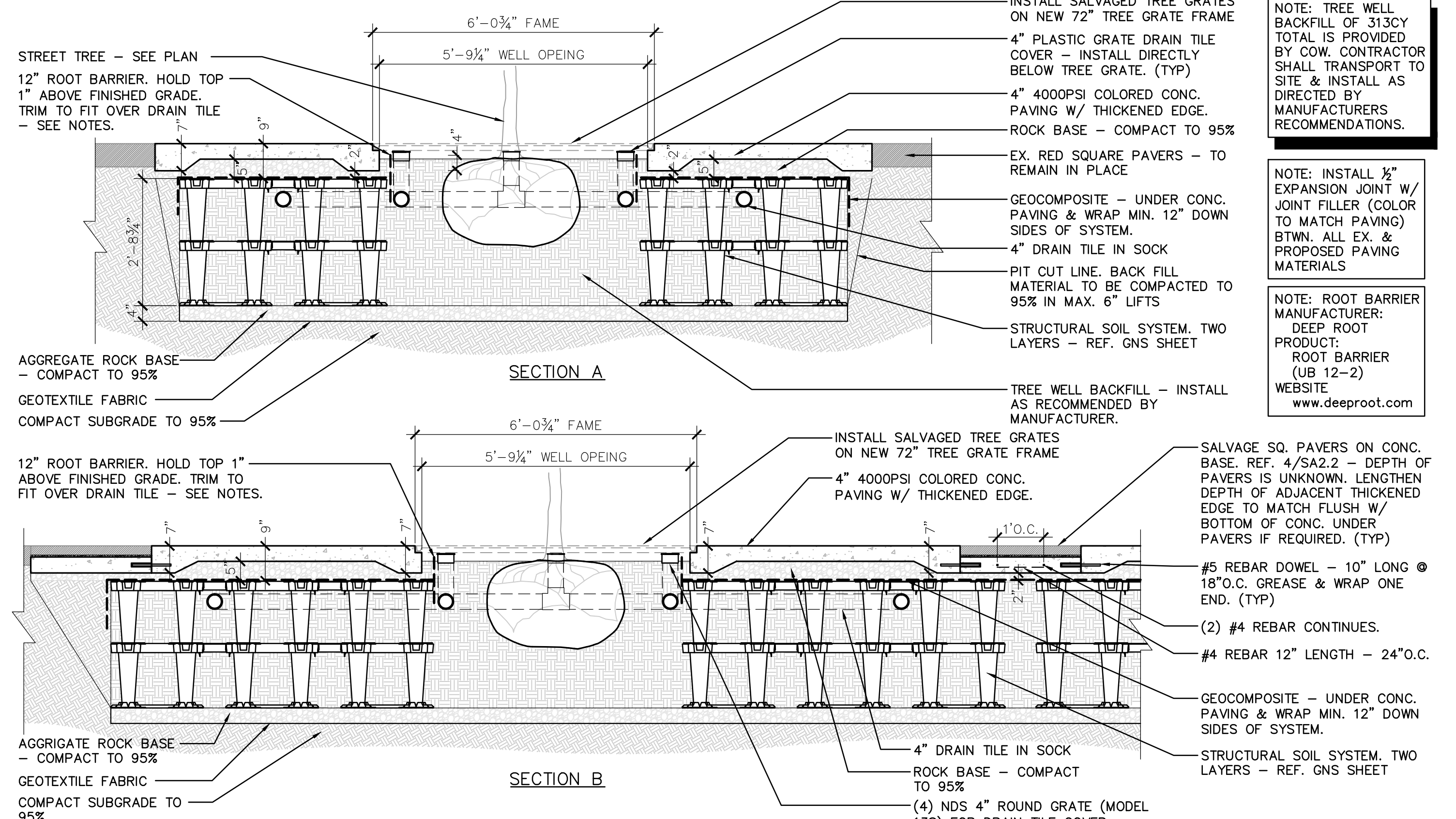
15 PLANTER POT - C

ADD ALTERNATE BID ITEM #1



(4) NDS 4" ROUND GRATE (MODEL 13S) FOR DRAIN TILE COVER - INSTALL DIRECTLY BELOW TREE GRATE. (TYP)

PLAN VIEW



AGGREGATE ROCK BASE - COMPACT TO 95%
 GEOTEXTILE FABRIC
 COMPACT SUBGRADE TO 95%

SECTION A

12" ROOT BARRIER. HOLD TOP 1" ABOVE FINISHED GRADE. TRIM TO FIT OVER DRAIN TILE - SEE NOTES.

SECTION B

AGGREGATE ROCK BASE - COMPACT TO 95%
 GEOTEXTILE FABRIC
 COMPACT SUBGRADE TO 95%

16 STRUCTURAL SOIL TREE WELL

DESIGN OF TREE WELL IS BASED ON CITY GREEN STRATAVAULT SYSTEM. IF APPROVED EQUIVALENT IS USED PROVIDE SHOP DRAWINGS FOR APPROVAL PRIOR TO PURCHASING OF MATERIALS.

1/2" = 1'-0"