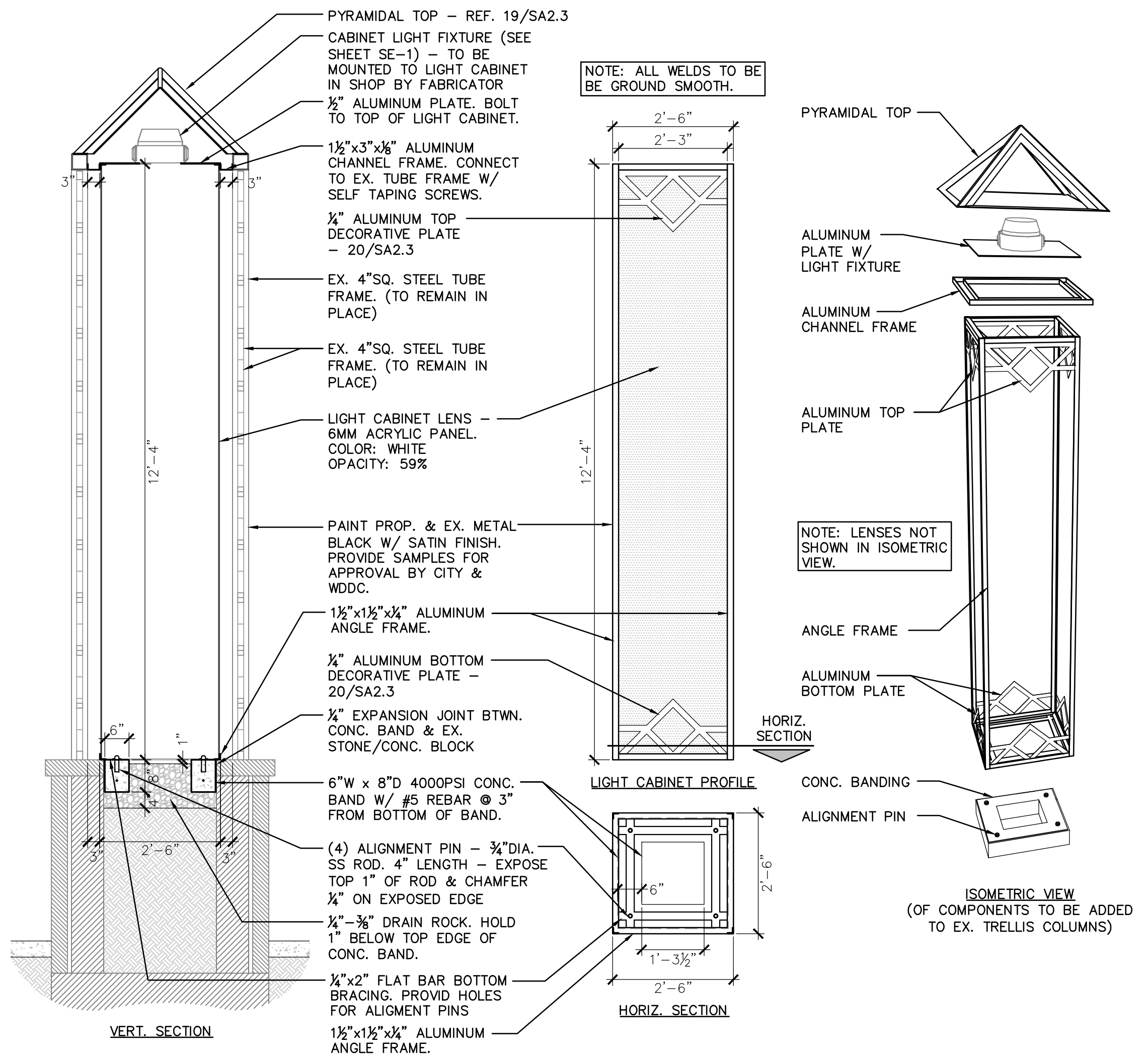
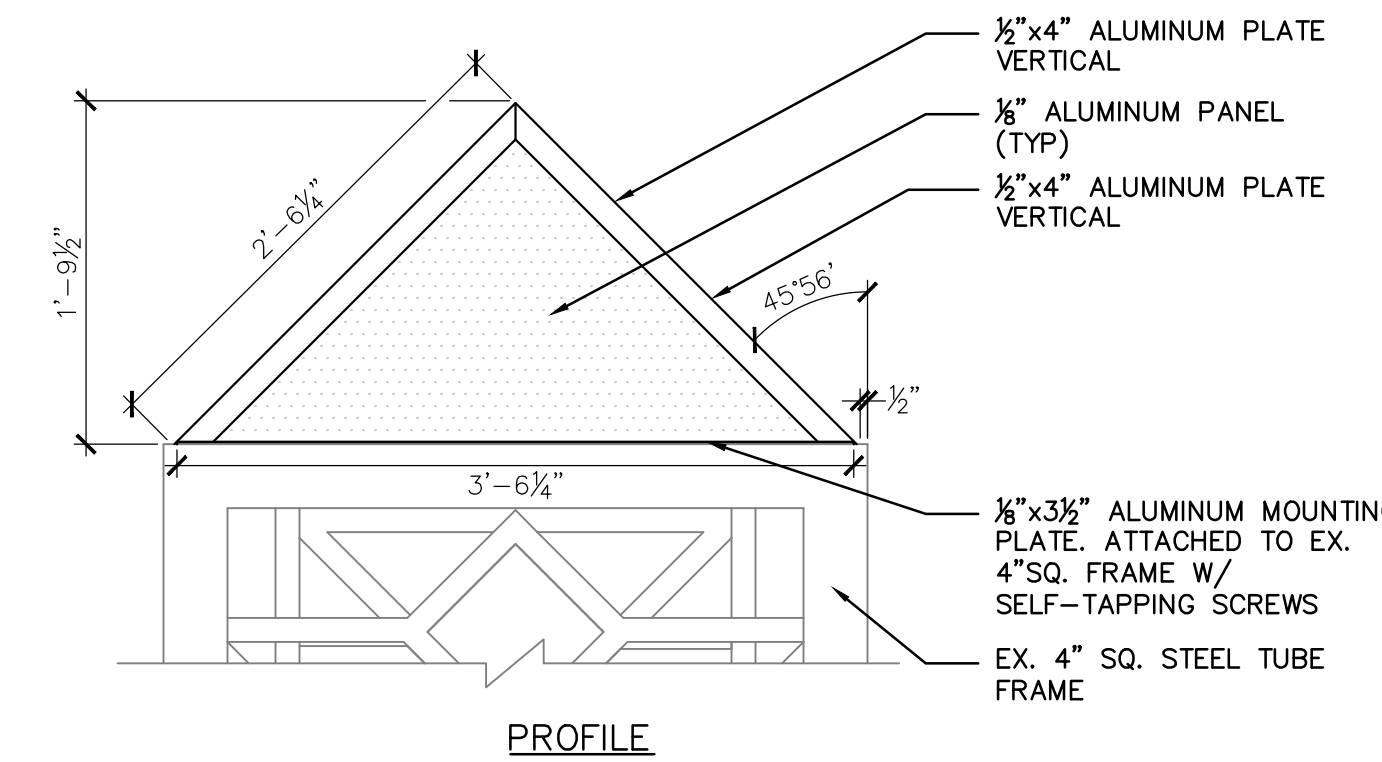
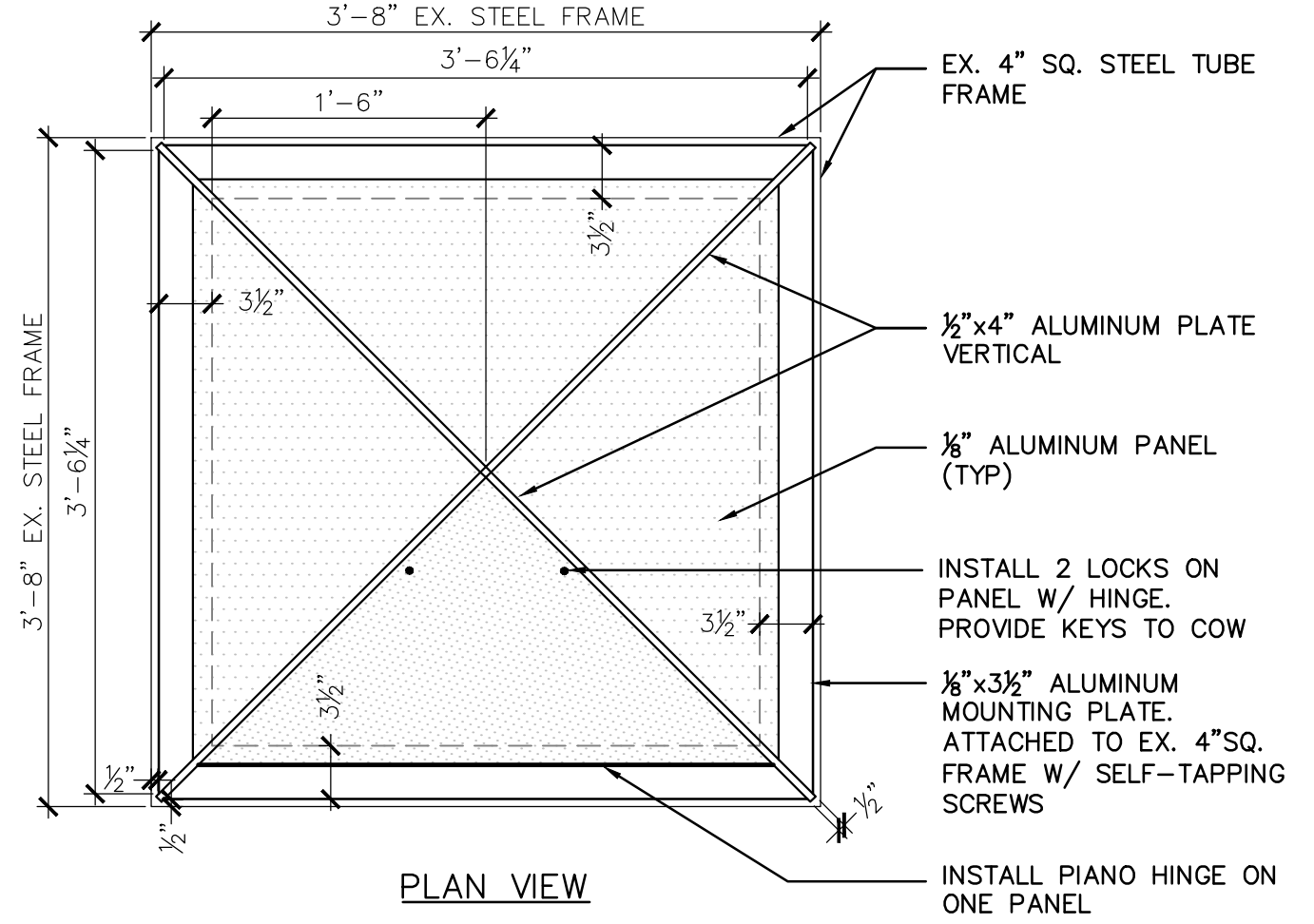


NOTE:  
 • TOTAL OF 12 TRELLIS COLUMNS - SEE SA1 SHEETS FOR LOCATIONS  
 • REMOVE ITEMS ATTACHED TO THE FACE OF TRELLIS COLUMN.  
 • GRIND ALL FACES SMOOTH WHERE ITEMS HAVE BEEN REMOVED FROM TRELLIS COLUMN.  
 • EX. SMALL BRONZE SCULPTURES ON THE INSIDE OF STEEL PATTERN WORK IN SOME LOCATIONS. RELOCATE OUTSIDE OF PATTERN WORK.

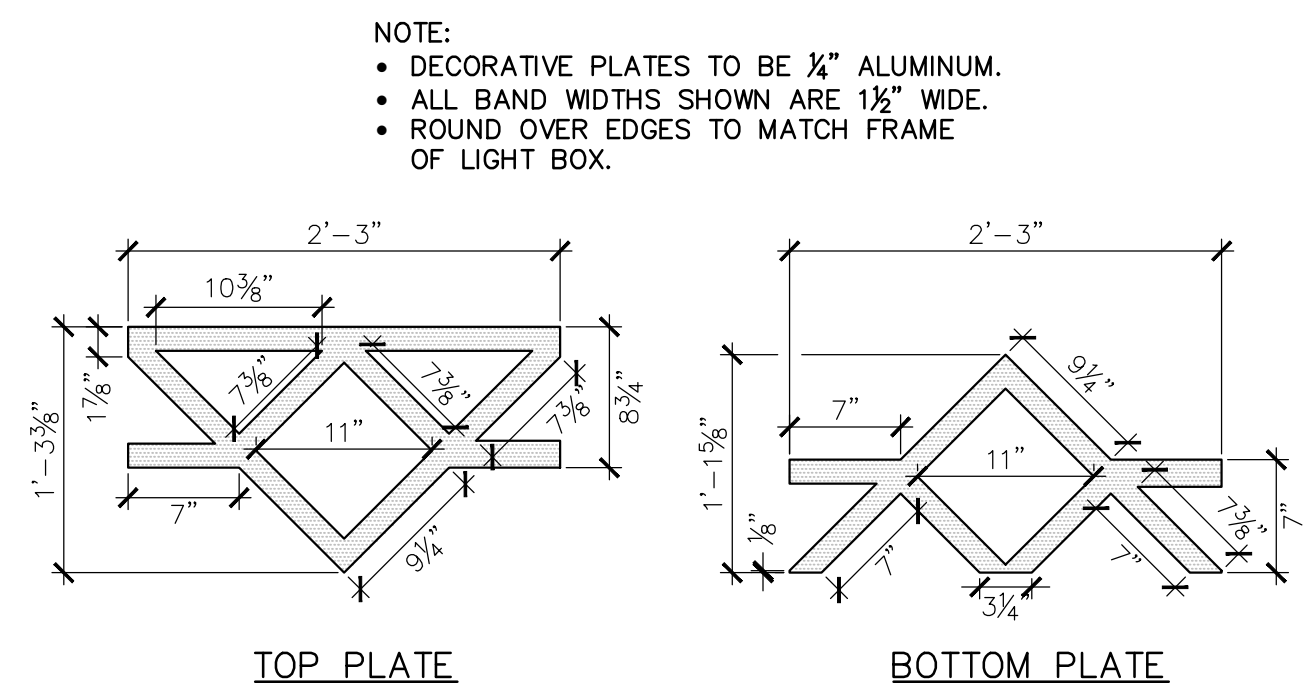
**17 TRELLIS COLUMN - EXISTING**  
 ADD ALTERNATE BID ITEM #2  
 1/2" = 1'-0"



**18 TRELLIS COLUMN - LIGHT CABINATE**  
 ADD ALTERNATE BID ITEM #2  
 • PROVIDE SHOP DRAWINGS FOR APPROVAL OF ALL PROPOSED COMPONENTS.  
 • FABRICATOR (1) ONE FULL MOCK-UP LIGHT CABINET FOR APPROVAL PRIOR TO MANUFACTURING ALL LIGHT CABINETS.  
 1/2" = 1'-0"



**19 TRELLIS COLUMN**  
 ADD ALTERNATE BID ITEM #2  
 PYRAMID TOP  
 1" = 1'-0"



**20 TRELLIS COLUMN**  
 DECORATIVE PLATE PROFILES  
 ADD ALTERNATE BID ITEM #2  
 1" = 1'-0"

DOUGLAS AVE.  
 STREETSCAPE  
 IMPROVEMENTS  
 WICHITA, KS

**LKArchitecture**  
 Architecture • Engineering • Planning • Interior Design • Landscape Architecture

LK Architecture Inc. ©  
 345 RIVERVIEW WICHITA, KS 67203  
 Phone (316) 268-0230 Fax: (316) 268-0205  
 CONTACT: Jeffery A. Best, ASLA  
 PROJECT NUMBER:  
**15749.01**  
 SHEET TITLE:  
**SITE DETAILS**  
 SHEET NUMBER:  
**SA2.3**