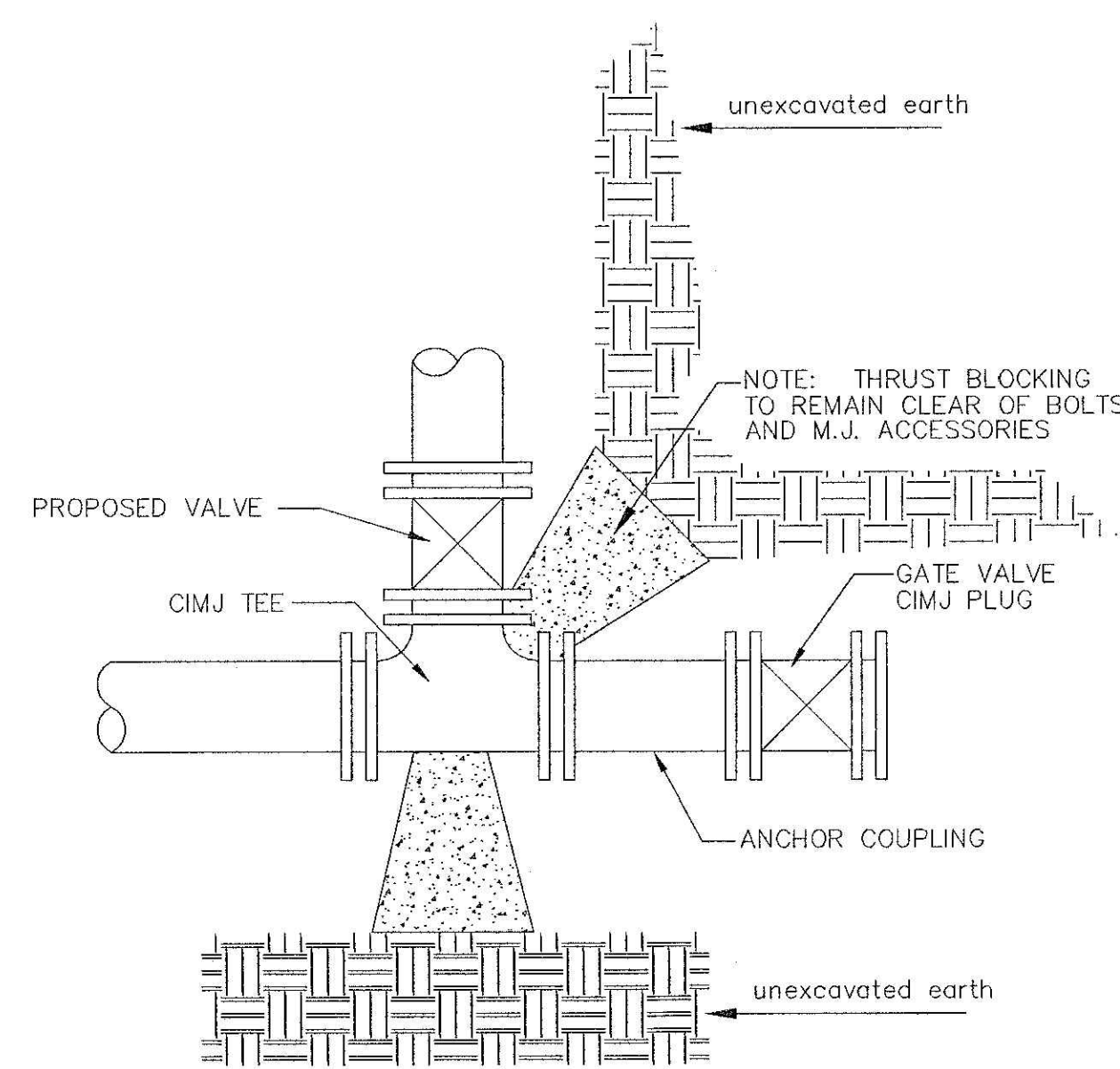


| PIPE SIZE | THRUST AT FITTINGS IN TONS--AT 150#/IN ² P | | | | | |
|-----------|---|------|-------|---------|---------|-------|
| | PLUG | 90° | 45° | 22 1/2° | 11 1/4° | TEE |
| 6" | 2.8 | 3.95 | 2.15 | 1.09 | .55 | 2.8 |
| 8" | 4.9 | 6.95 | 3.75 | 1.90 | .96 | 4.9 |
| 12" | 11.4 | 16.1 | 8.75 | 4.45 | 2.25 | 11.4 |
| 16" | 20.15 | 28.5 | 15.4 | 7.85 | 3.95 | 20.15 |
| 20" | 31.15 | 44.0 | 23.85 | 12.15 | 6.10 | 31.15 |
| 24" | 44.55 | 63.0 | 34.1 | 17.4 | 8.75 | 44.55 |

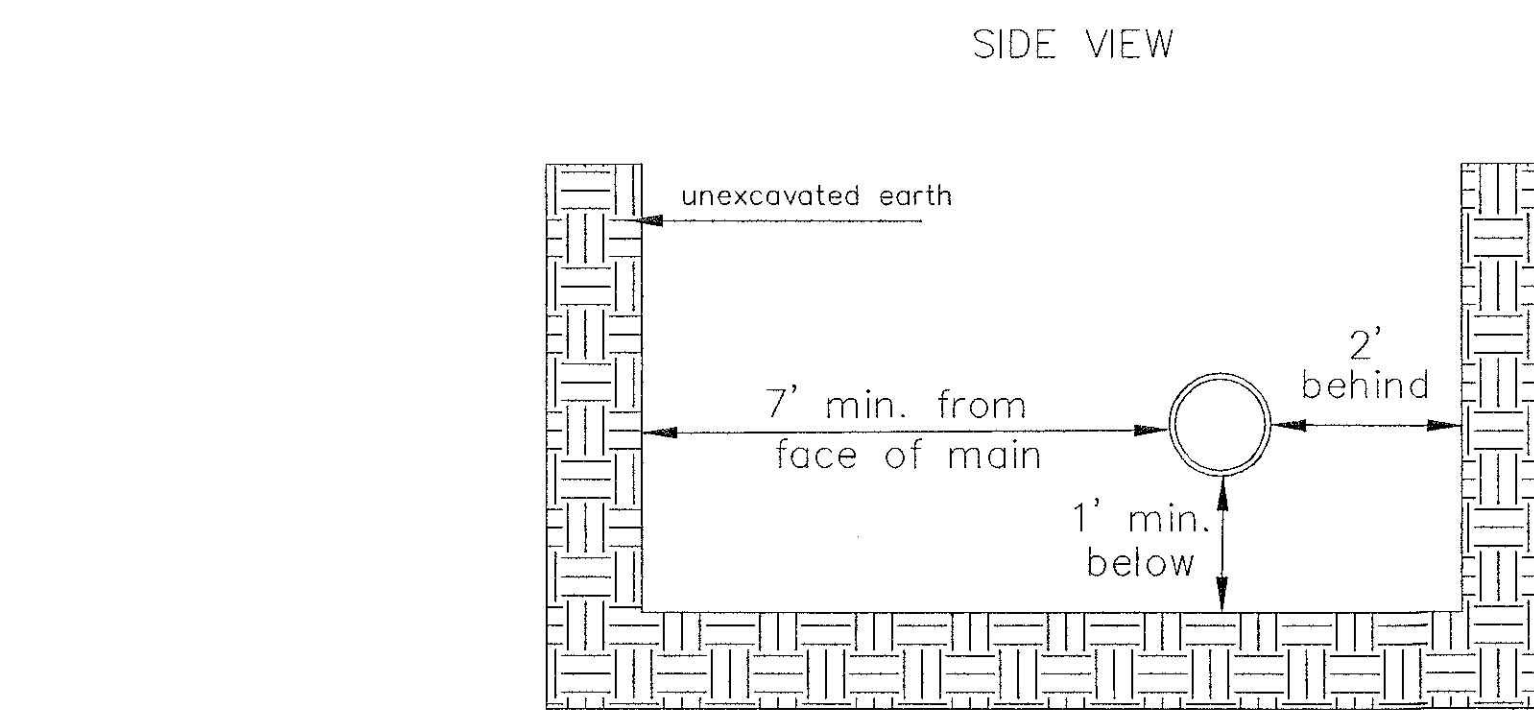
TYPICAL THRUST BLOCKS



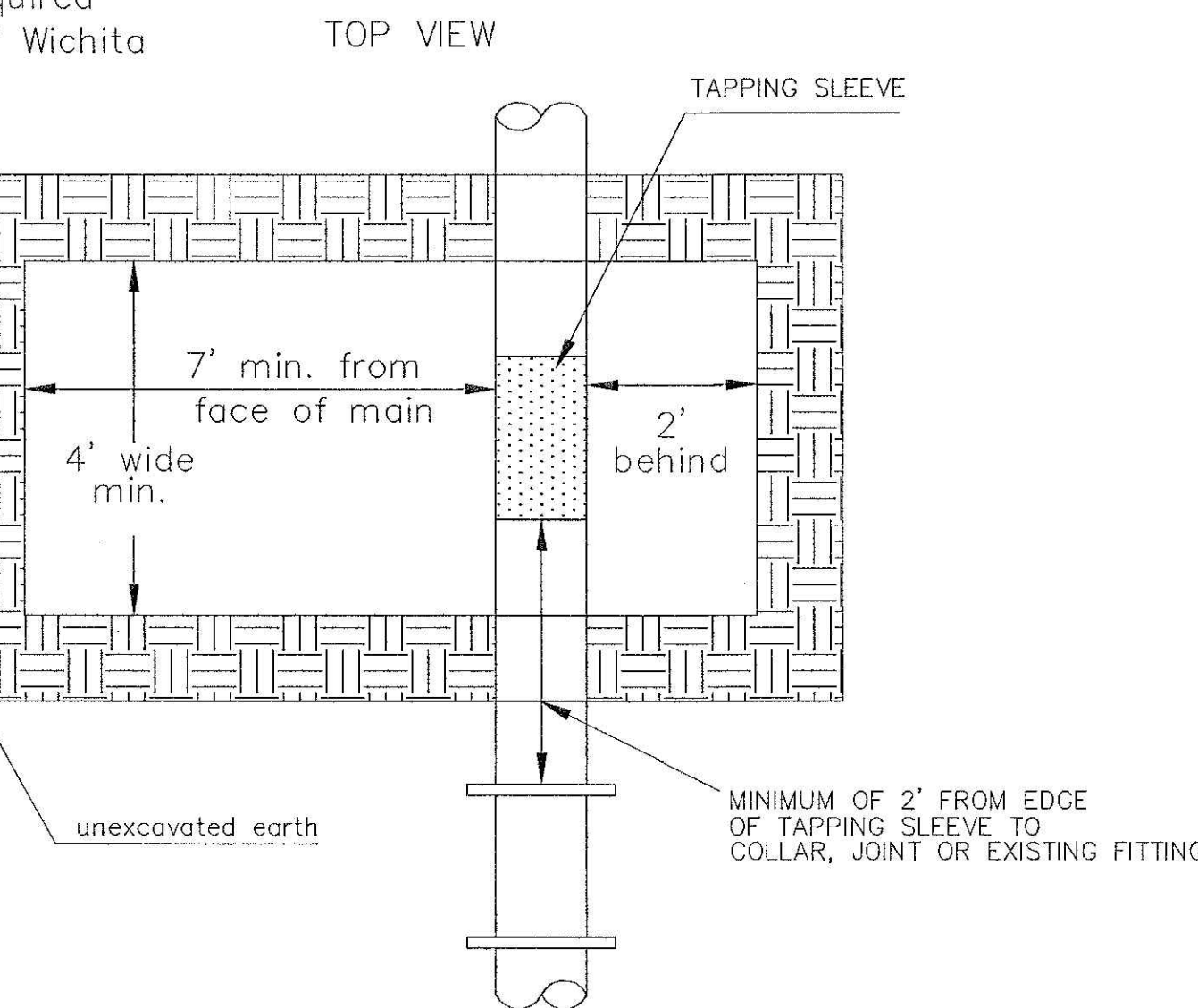
KEY BLOCK DETAIL

* PLANS GOVERN
UNLESS OTHERWISE NOTED ON PLANS

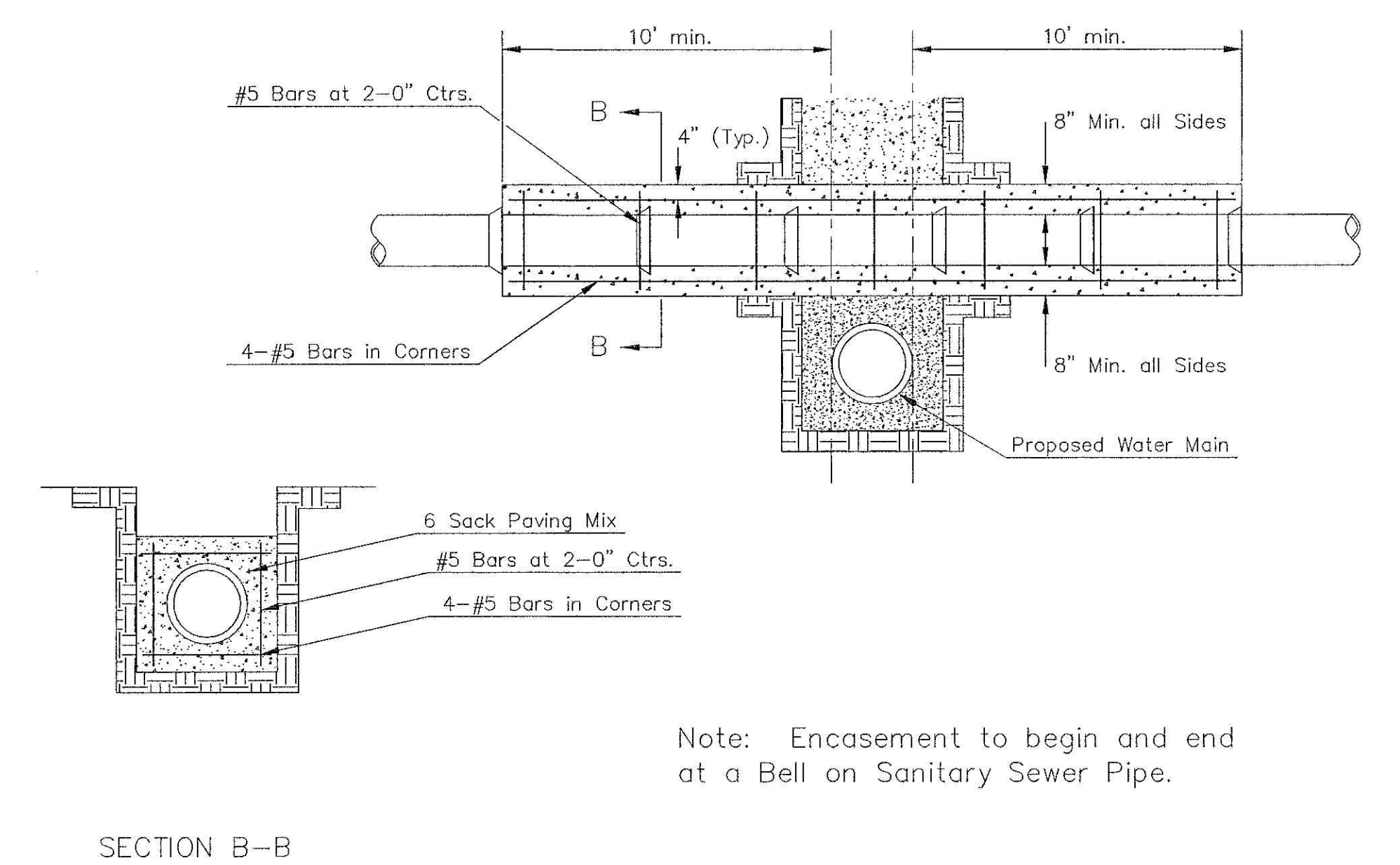
TRENCH COMPACTION IN ROAD RIGHT-OF-WAY



Note: When shoring is required it is to be per The City of Wichita Standard Specifications.

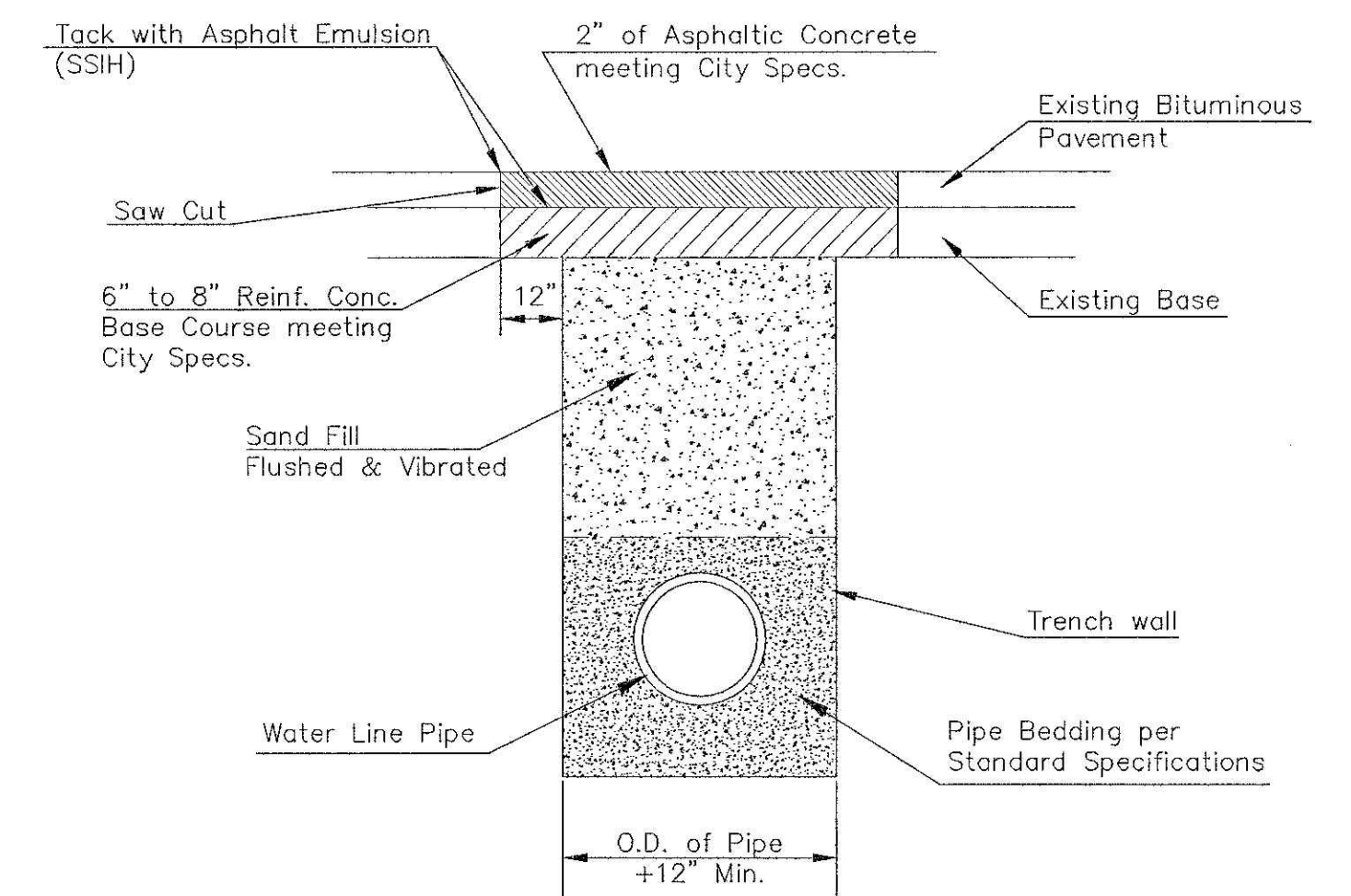


EXCAVATION FOR WET TAP

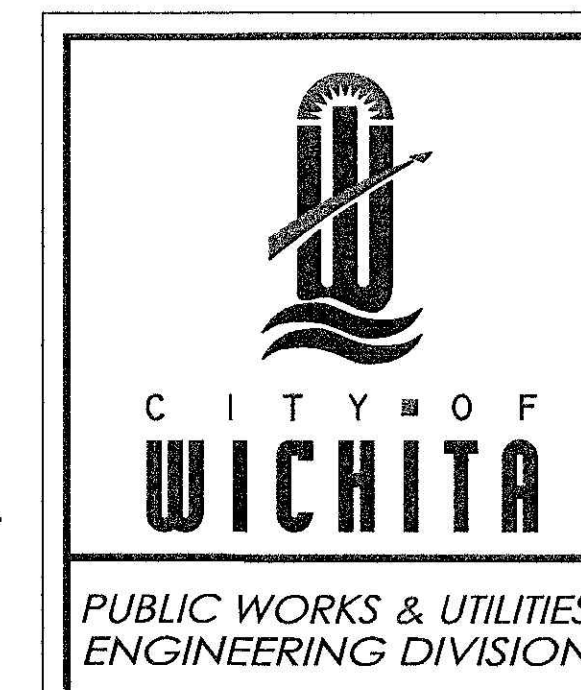


REINFORCED CONCRETE ENCASEMENT OF SANITARY SEWER

PAVEMENT REPLACEMENT & TRENCH COMPACTION UNDER EXISTING AND PROPOSED CITY ROADS



Saved 02-02-2017 9:41:49 AM by CSL
Plot Scale: 1:1 02-02-2017 9:51:40 AM by CSL
C:\Wichita-Civil\2016\160312\04\Main\Drawings\160312-04-C07 MISCELLANEOUS WATER DETAILS



| MISCELLANEOUS WATER DETAILS | | |
|-----------------------------|------------|---------|
| CITY ENGINEER | | |
| GARY JANZEN, P.E. | | |
| PROJECT NUMBER | OCA NUMBER | DATE |
| 448-90765 | 636436 | |
| CITY ENGINEER'S OFFICE | | SHEET |
| CITY HALL - SEVENTH FLOOR | | 7 of 13 |
| 455 NORTH MAIN STREET | | |
| WICHITA, KANSAS 67202-1620 | | |
| (316) 268-4501 | | |