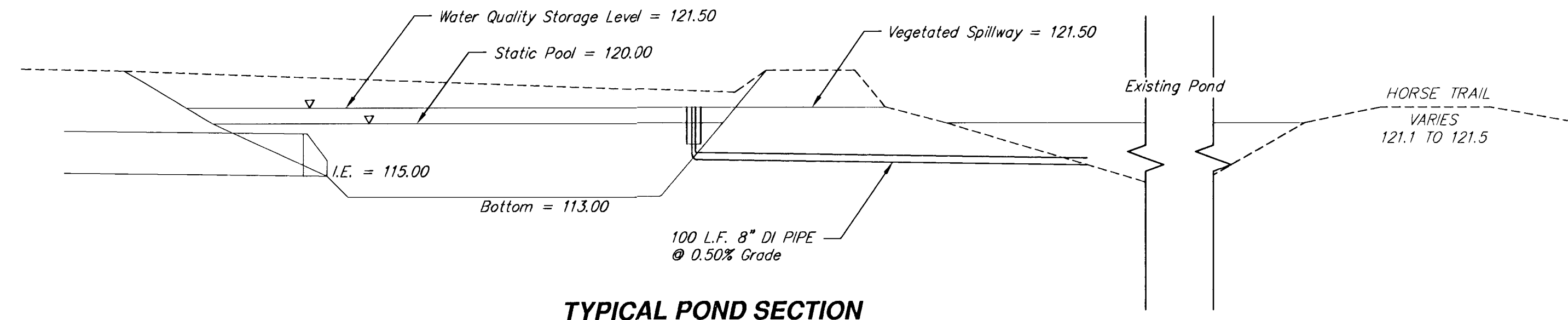


SRB

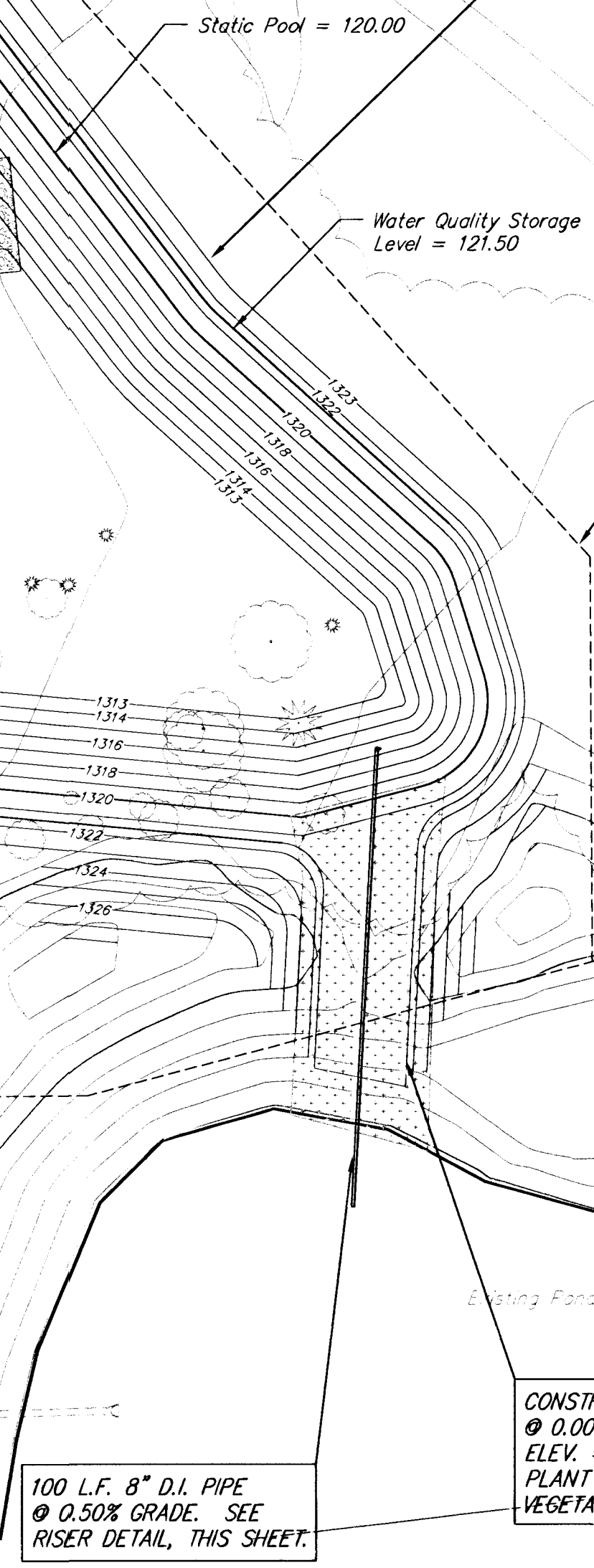
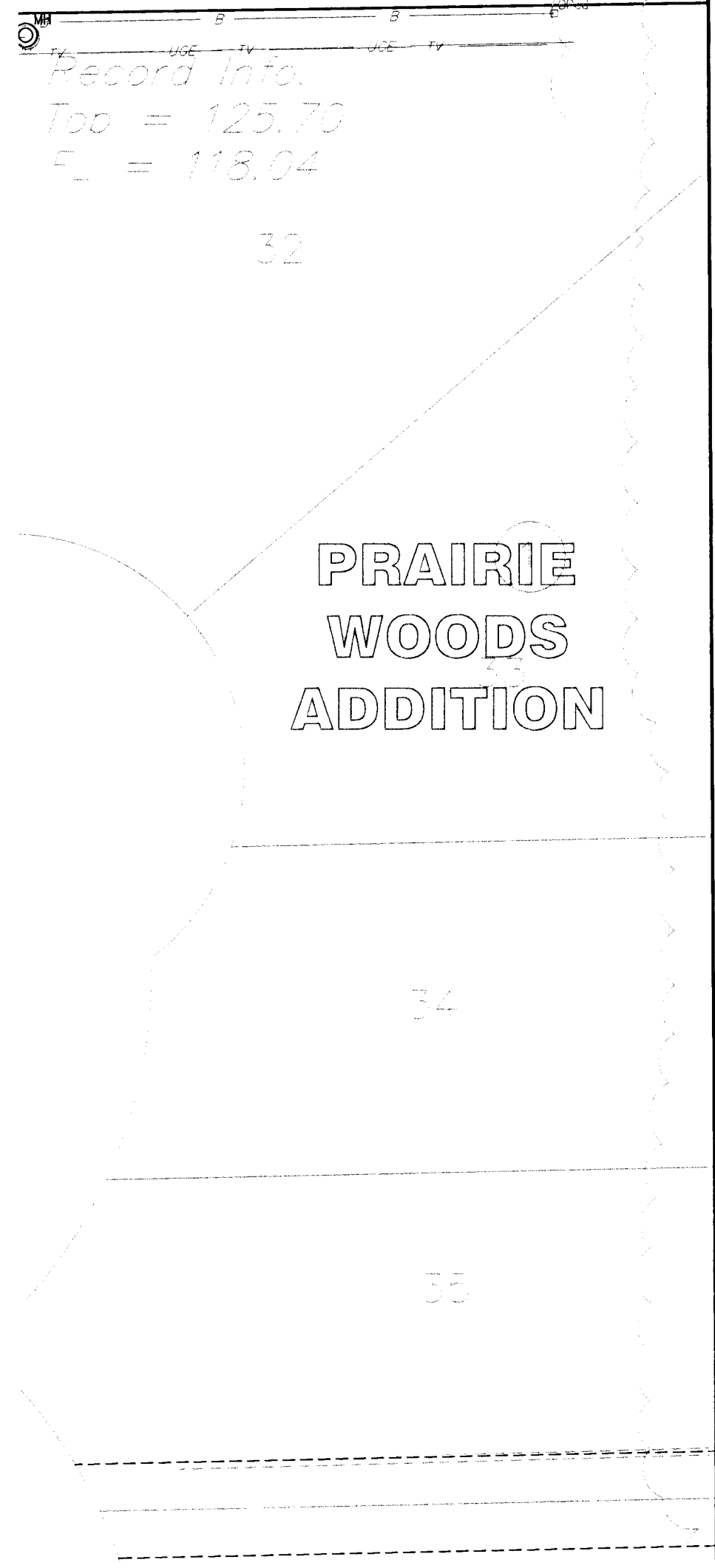
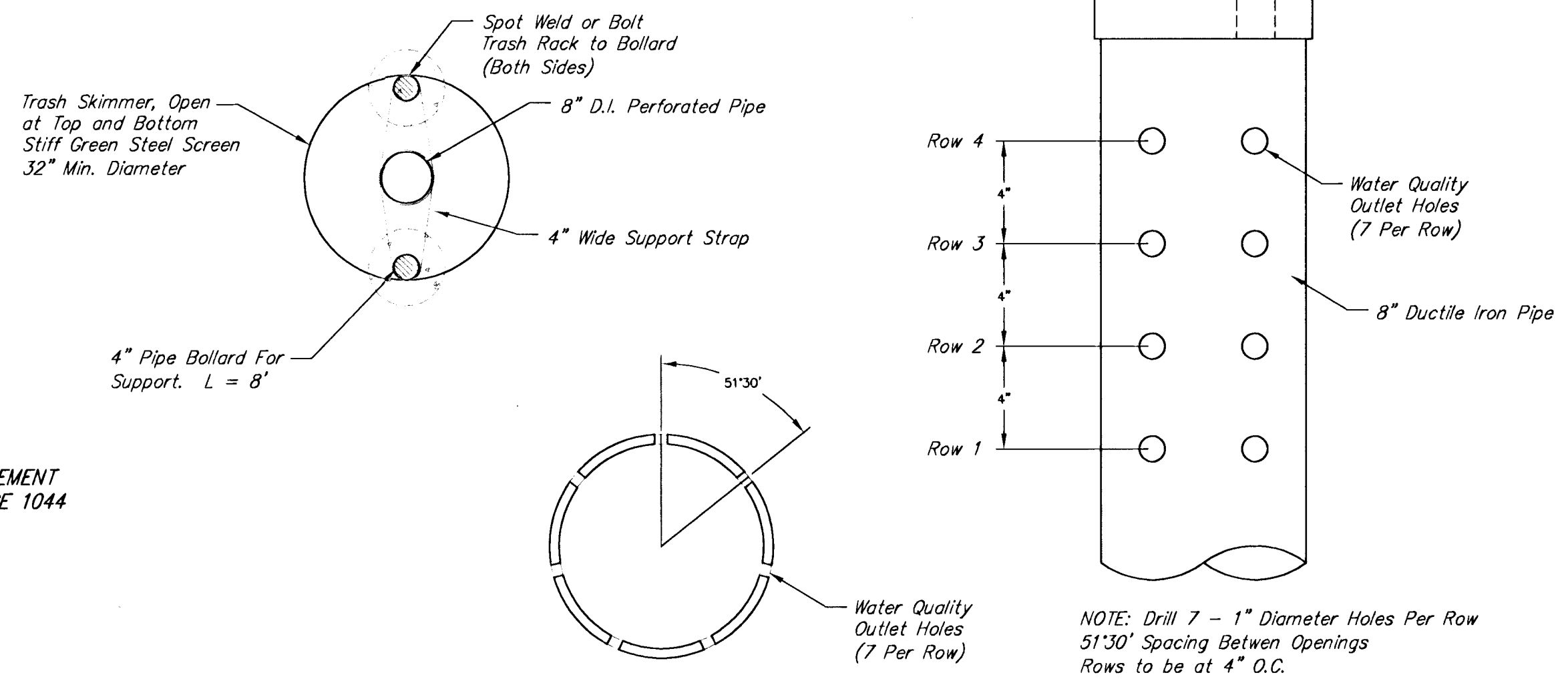
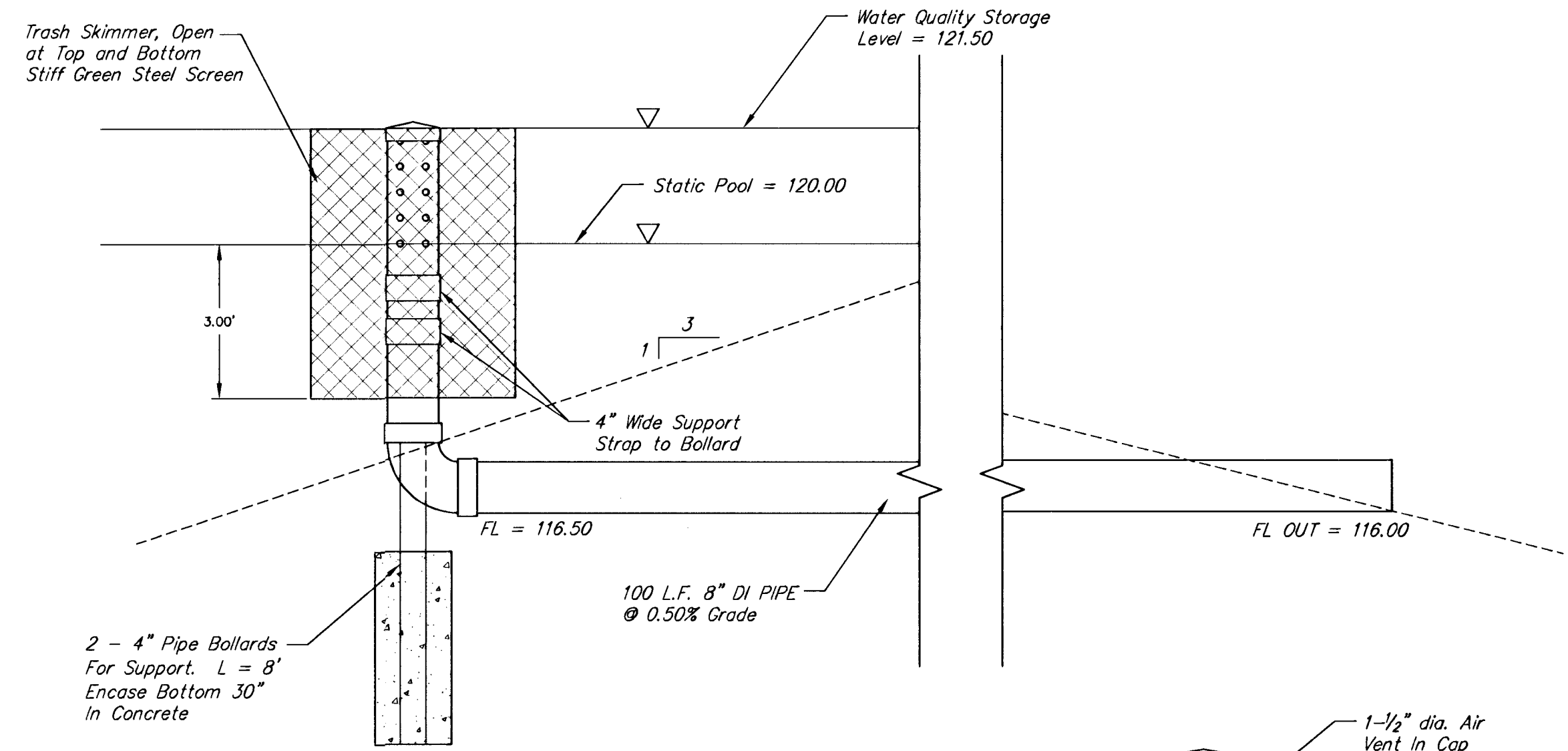
SCALE 1" = 20'
IRON = ●



ADJUST POND BACKSLOPE TO MINIMIZE TREE REMOVAL.

PAWNEE PRAIRIE PARK

WATER QUALITY POND
 STATIC POOL = 120.00
 POND BOTTOM = 113.00
 3:1 SIDE SLOPES BELOW STATIC POOL
 4:1 SIDE SLOPES ABOVE STATIC POOL
 L = 200'
 W = 63' (AVG)
 L/W = 3.17
 POND SPILLWAY 121.50
 LIVE STORAGE VOLUME = 22,353 CU. FT.
 DEAD STORAGE VOLUME = 46,130 CU. FT.



DRAINAGE EASEMENT BY SEPERATE INSTRUMENT

DRAINAGE EASEMENT FILM 1513 PAGE 1044

CONSTRUCT 20' CHANNEL @ 0.00% GRADE. ELEV. = 121.50 PLANT CHANNEL WITH WETLAND VEGETATION.

100 L.F. 8" D.I. PIPE @ 0.50% GRADE. SEE RISER DETAIL, THIS SHEET.

TREE REMOVAL AND SITE CLEARING TO BE INCIDENTAL TO THE BID ITEM FOR SITE CLEARING AND RESTORATION.

**SHELLEY'S ORCHARD ADDITION PHASE 2 STREETS
 WATER QUALITY POND
 WICHITA, KANSAS**

SRB	924 NORTH MAIN WICHITA, KANSAS 67203 www.srb1.com	316-264-8008 FAX 264-4521 E-mail: srb@srb1.com
	SAVOY, RUGGLES & BOHM, P.A. ENGINEERING & SURVEYING	
PROJECT NUMBER		
DESIGN CMB	DRAWN KWL	UTILITY
REVIEW	DATE June 22, 2001	REVISED

SHEET 18 OF 30
TYPE FILE POND