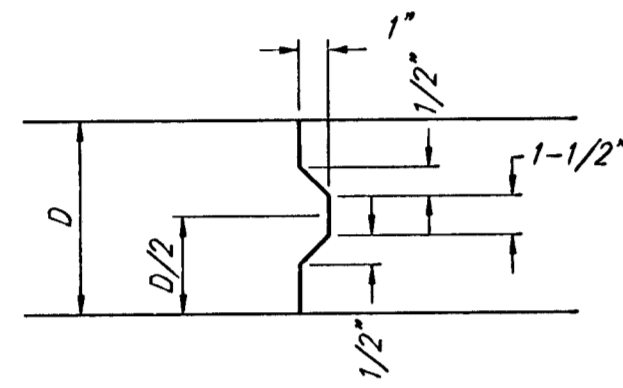
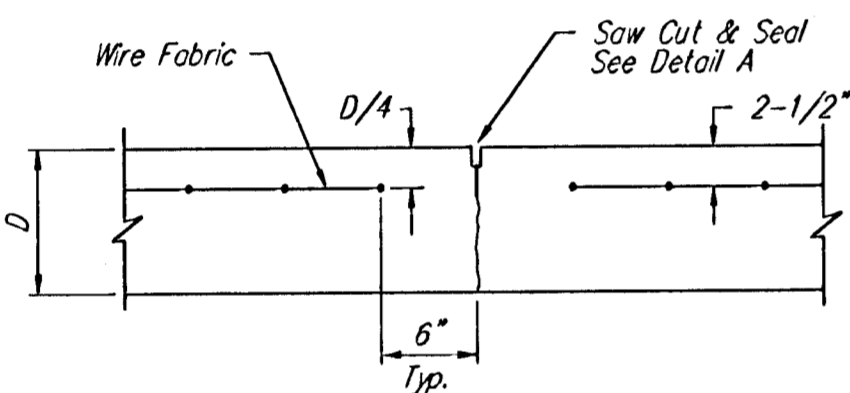


**EXPANSION JOINT**

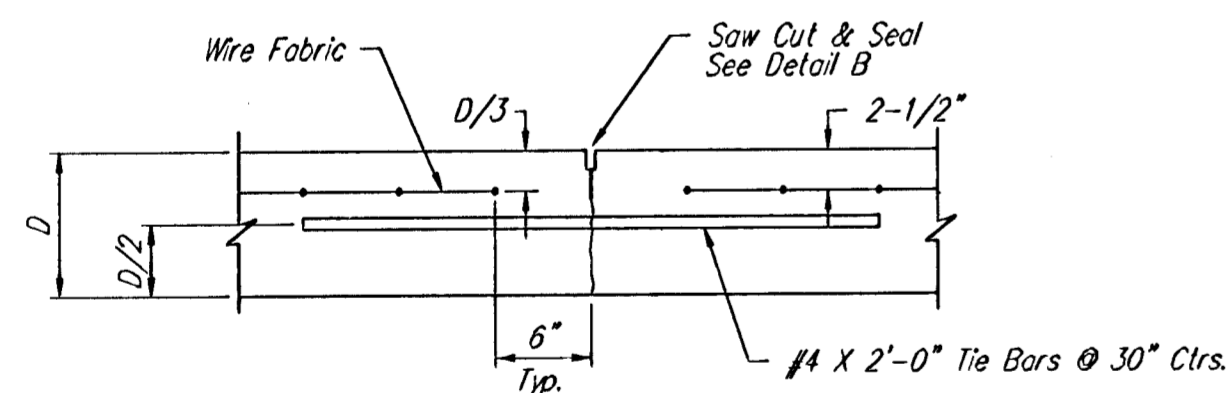
NOTE: Extra Thickness to be Subsidiary to Price of Square Yards Pavement



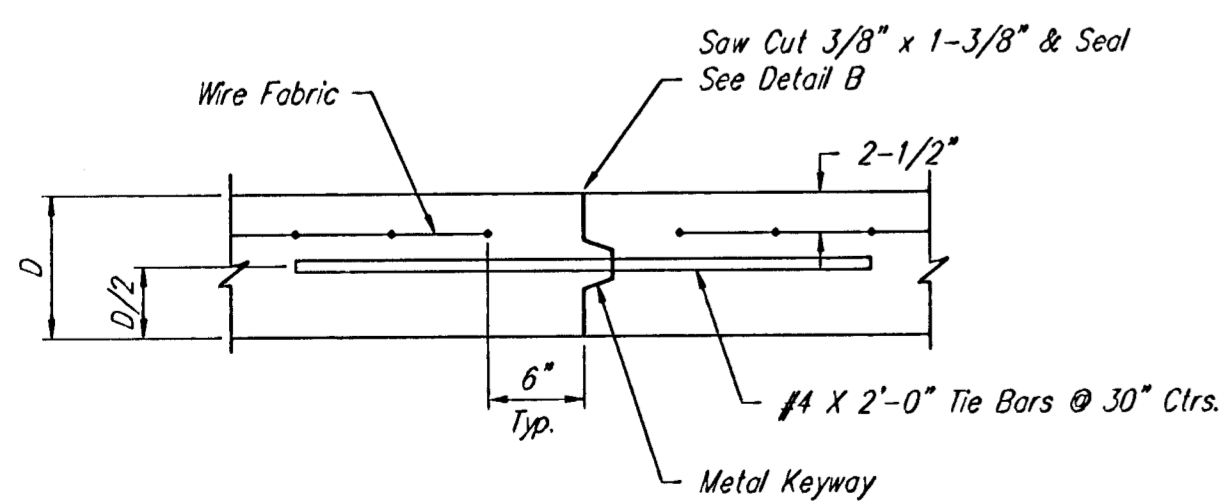
**KEYWAY DETAIL**



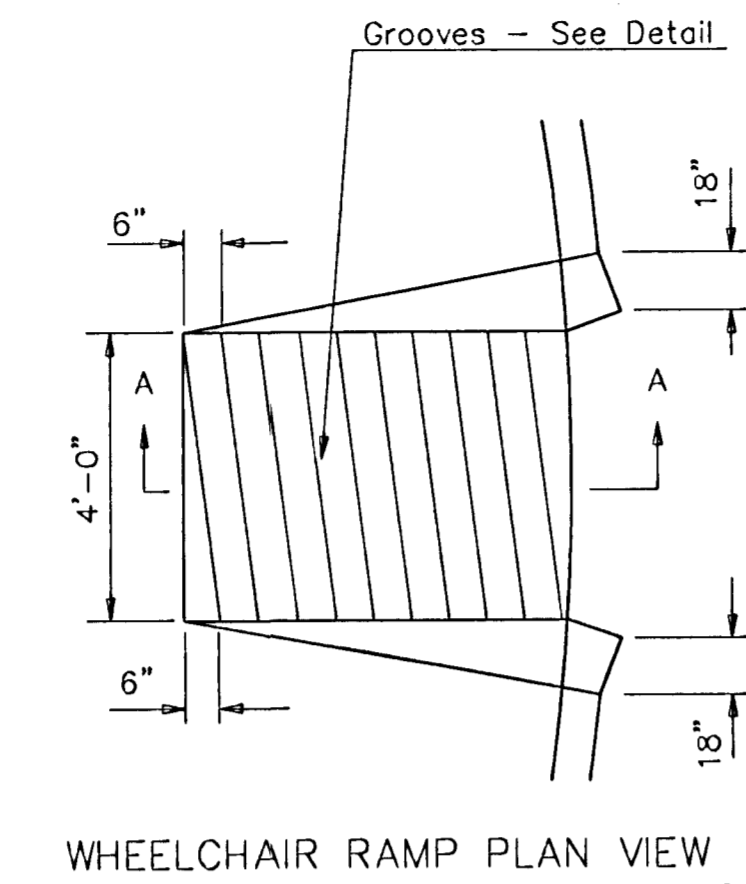
**CONTRACTION JOINT DETAIL (C.J.)**



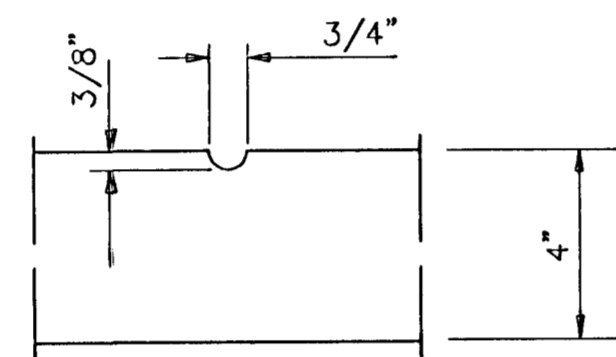
**LONGITUDINAL JOINT DETAIL (L.J.)**



**OPTIONAL LONGITUDINAL JOINT DETAIL (L.J.) (CONSTRUCTION JOINT)**

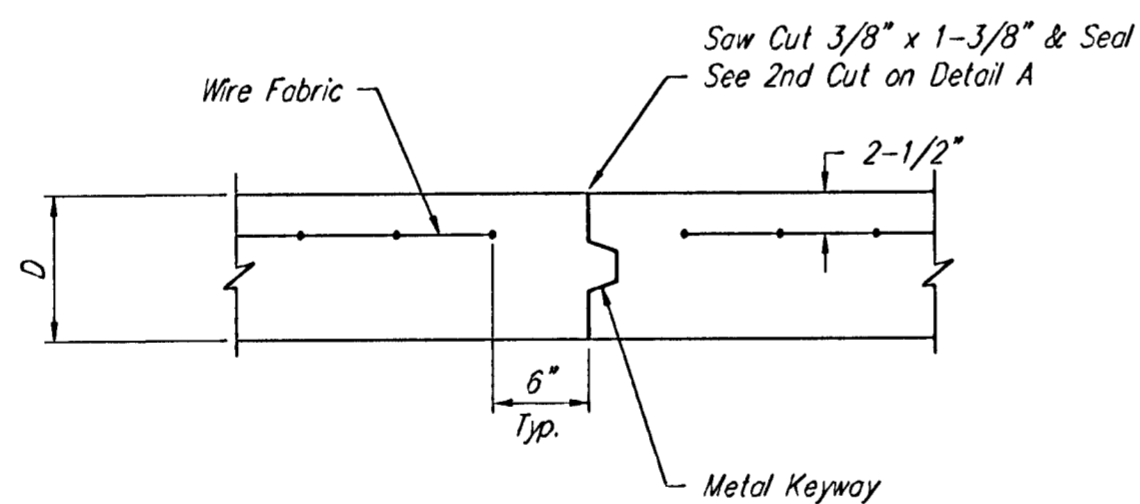


**WHEELCHAIR RAMP PLAN VIEW**

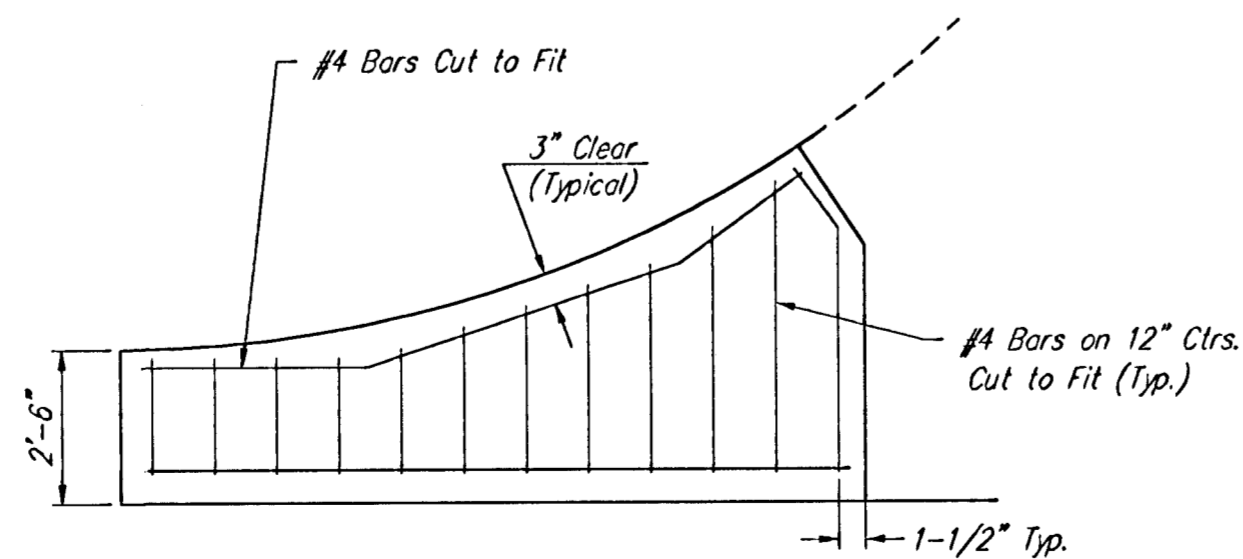


**GROOVE DETAIL**

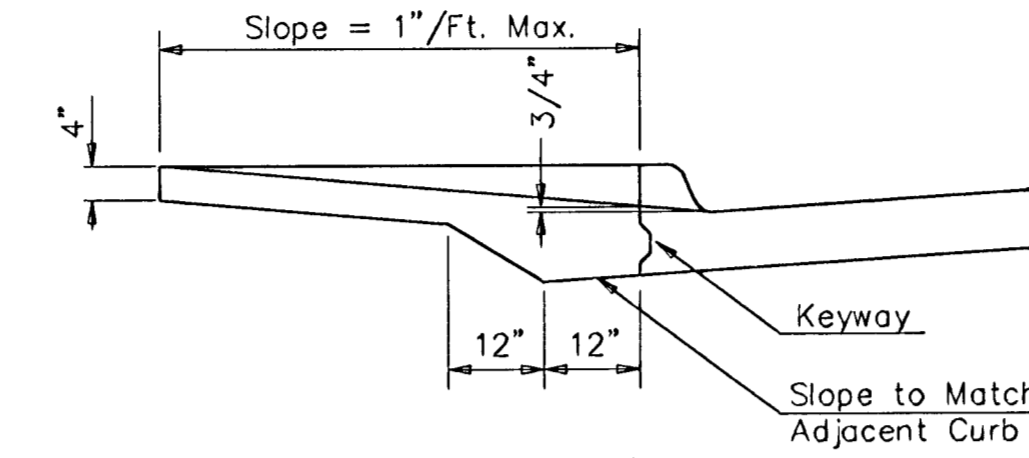
**WHEELCHAIR RAMP DETAIL**



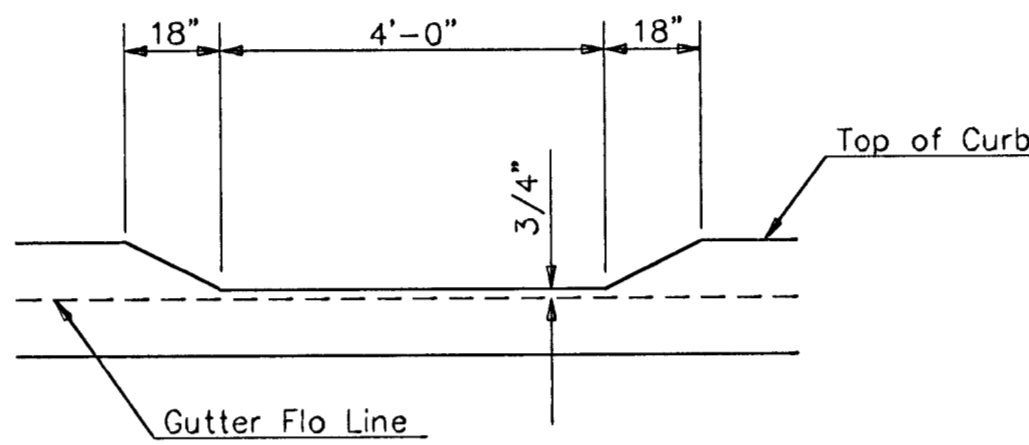
**OPTIONAL CONTRACTION JOINT (CONSTRUCTION JOINT)**



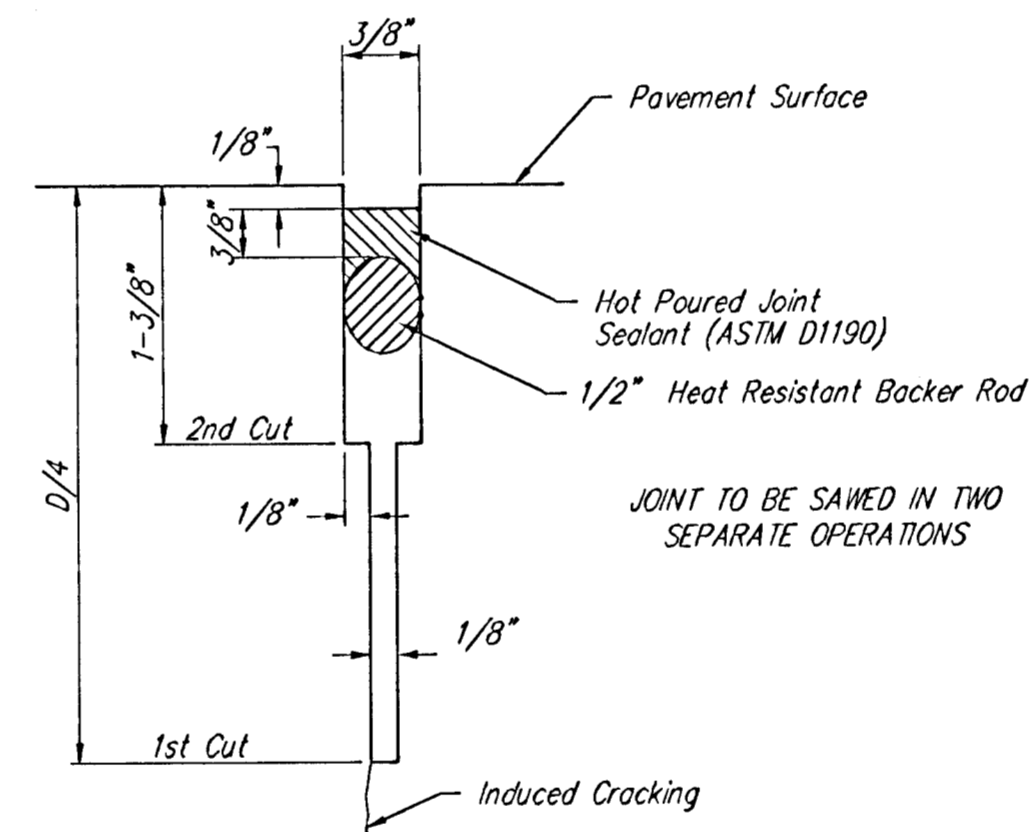
**WING REINFORCING DETAIL**



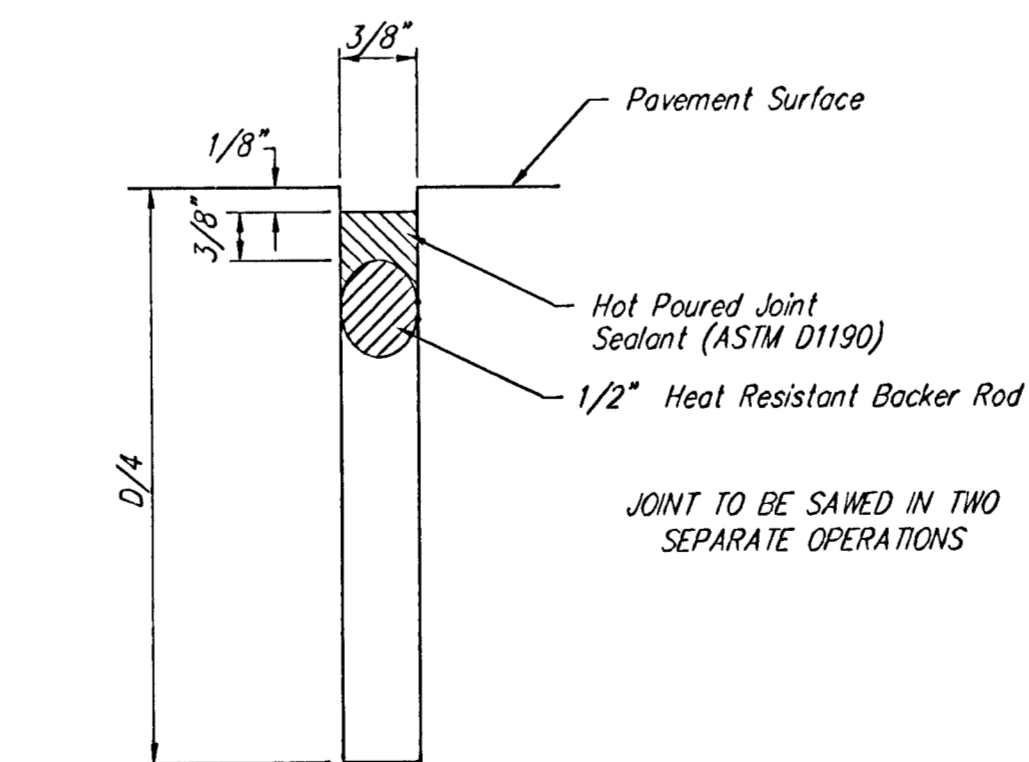
**SECTION A-A**



**DEPRESSED CURB DETAIL**

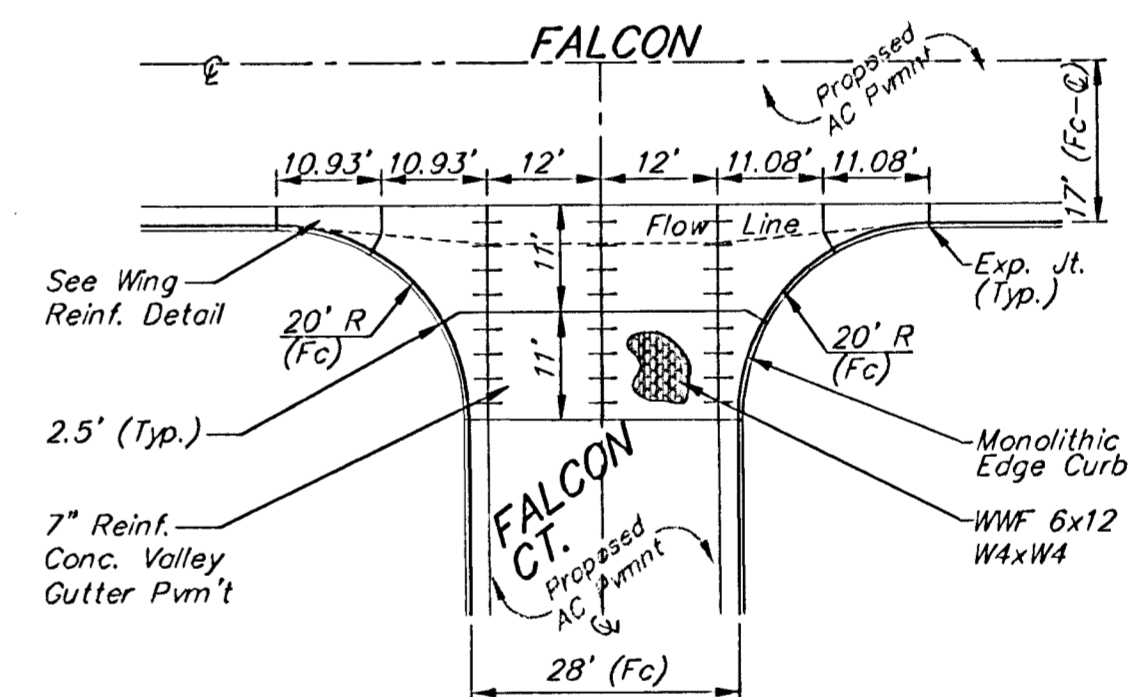


**SAW JOINT DETAIL "A"**



**SAW JOINT DETAIL "B"**

NOTE: 6" X 12" WAXW4 Wire Fabric Reinforcing Shall Be Placed So That The Wires With The 6" Spacing Will Run Parallel With The Longitudinal Joints.



**VALLEY GUTTER DETAILS**

**BAUGHMAN COMPANY P.A.**  
ENGINEERING, SURVEYING, & PLANNING  
316-282-7271 • 315 ELLIS • WICHITA, KANSAS 67211

DESIGN STAFF	DRAWN STAFF	APPROVED	DATE 02/03	SCALE NONE	SHEET 5 OF 22
--------------	-------------	----------	------------	------------	---------------

02-03-E266  
VGD/DETAIL