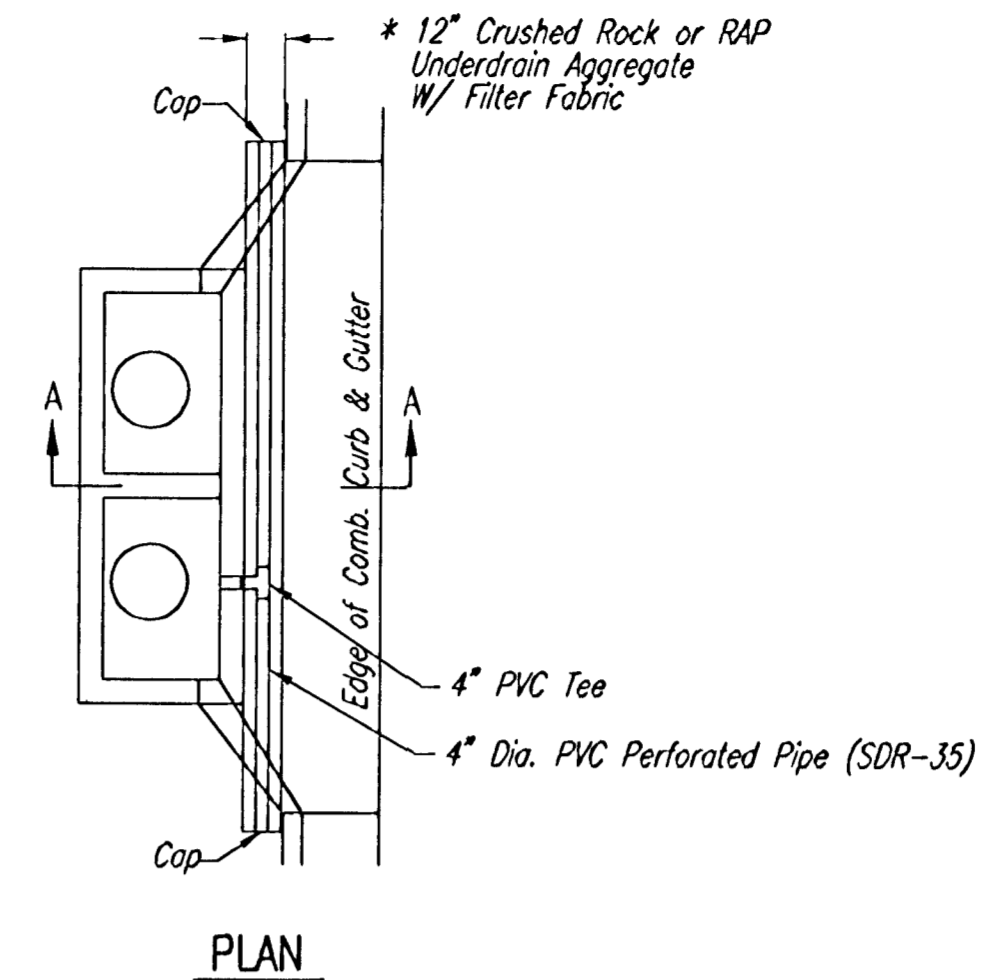


**COMPACTED FILL DETAIL  
WHERE SIDEWALK IS CONSTRUCTED**  
(See Plan Sheets for Locations)

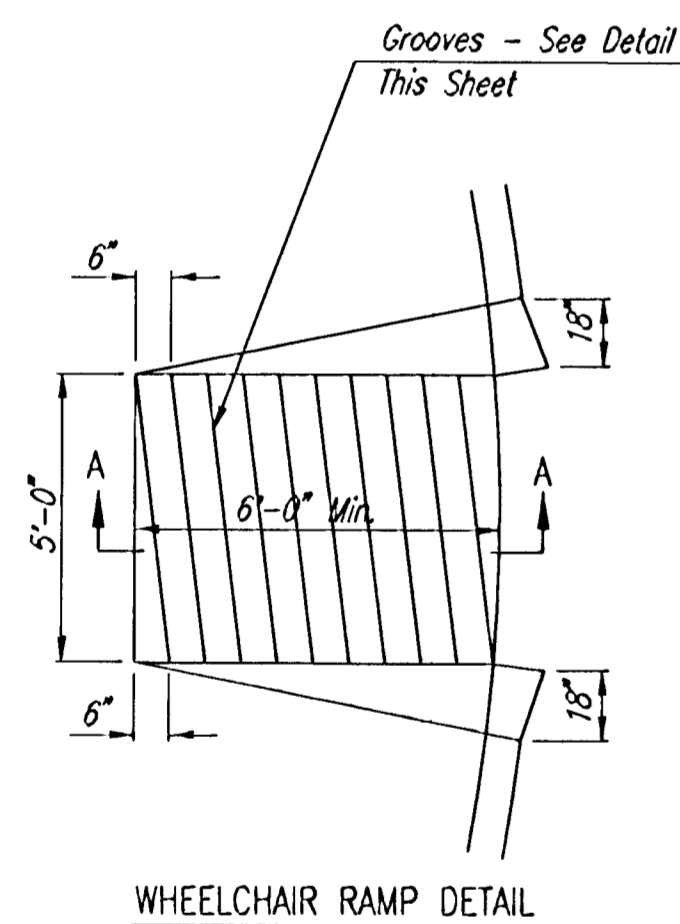


\* UNDERDRAIN AGGREGATE  
PERCENT OF AGGREGATE RETAINED

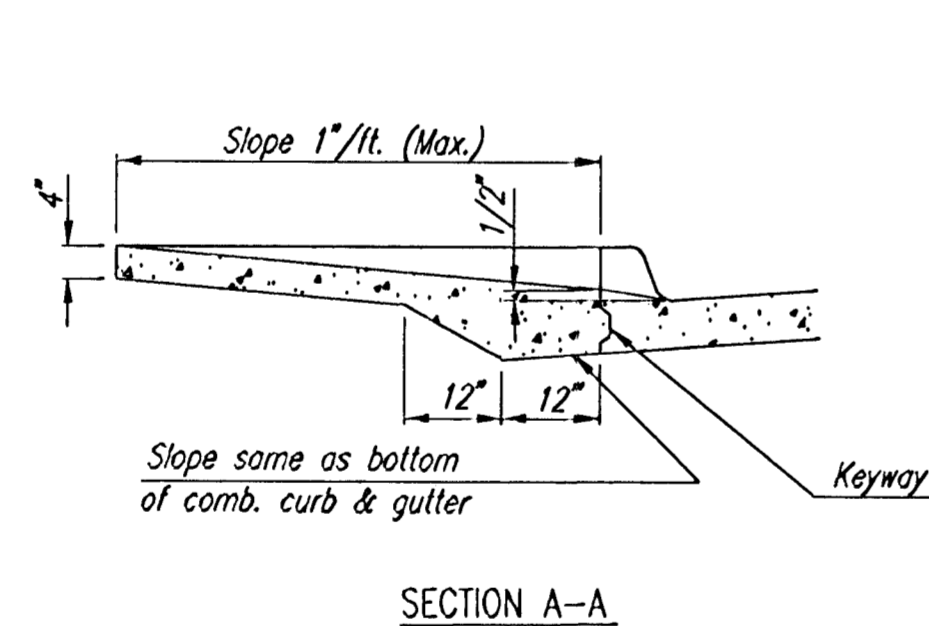
1"	0
3/4"	0-10
3/8"	45-80
#4	90-100
#8	95-100

ROCK QUALITY SHALL CONFORM TO THE REQUIREMENTS SPECIFIED BY THE KDOT 1990 EDITION STANDARD SPECIFICATION SUBSECTION 1102 FOR DURABILITY CLASS I.

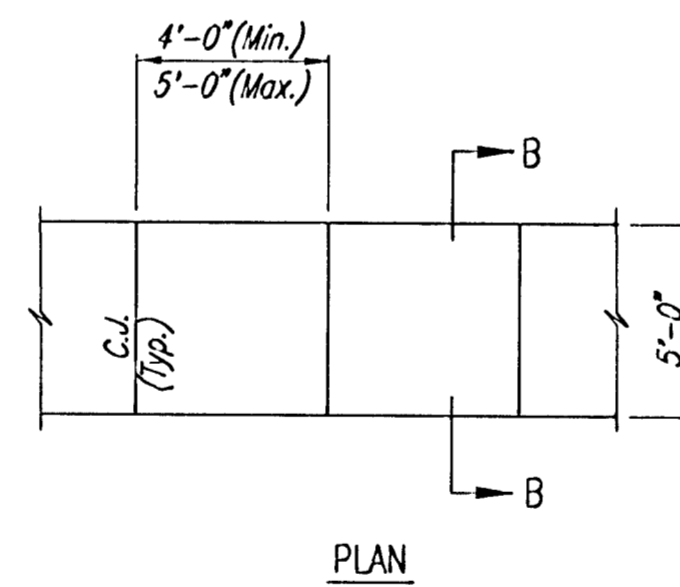
PAVEMENT UNDERDRAIN LOCATIONS		
STREET	STATION	SIDE
TIPPERARY	14+78.61	RT.
TIPPERARY	17+57.17	RT.
TIPPERARY	17+63.17	LT.
BRACKEN	21+96.63	LT. & RT.



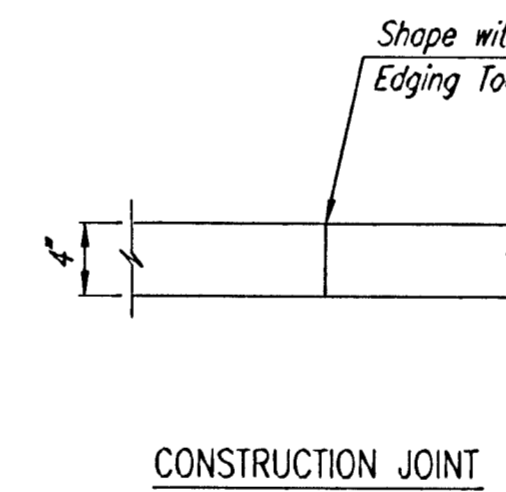
WHEELCHAIR RAMP DETAIL



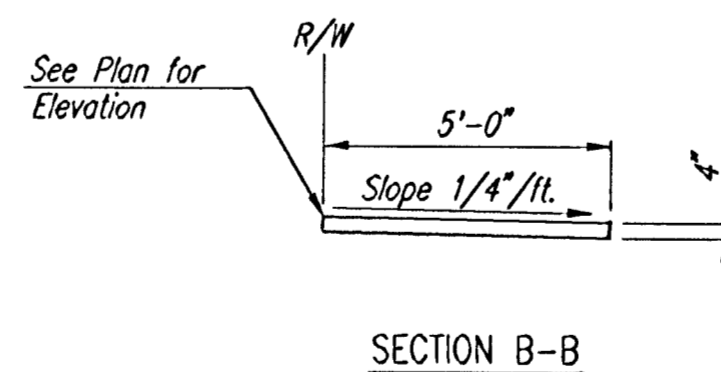
SECTION A-A



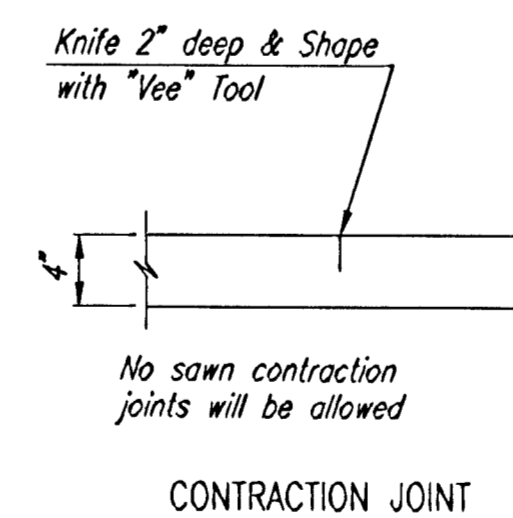
PLAN



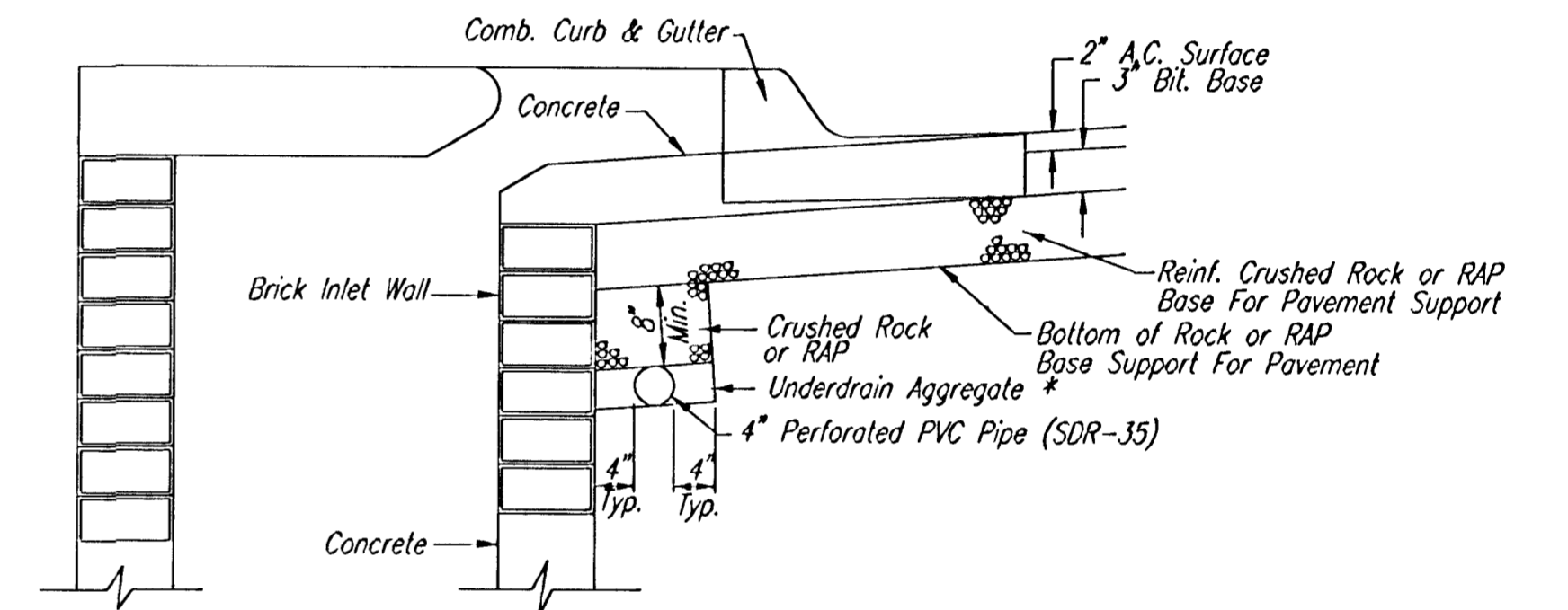
CONSTRUCTION JOINT



SECTION B-B



CONTRACTION JOINT



(Min. 16 Perforations Per Lin. Ft. @ 1/4" Dia.)  
Perforations To Be on Bottom Half

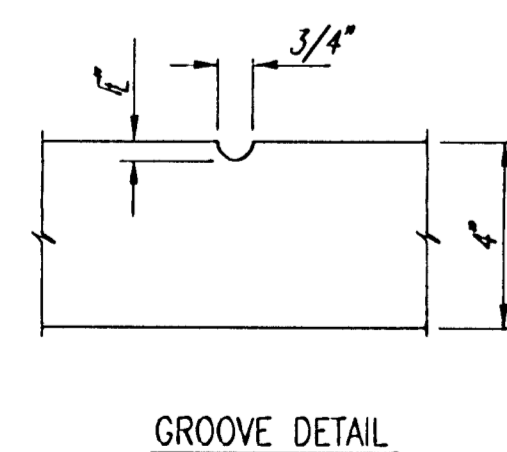
SECTION A-A

**PAVEMENT UNDERDRAIN DETAIL**

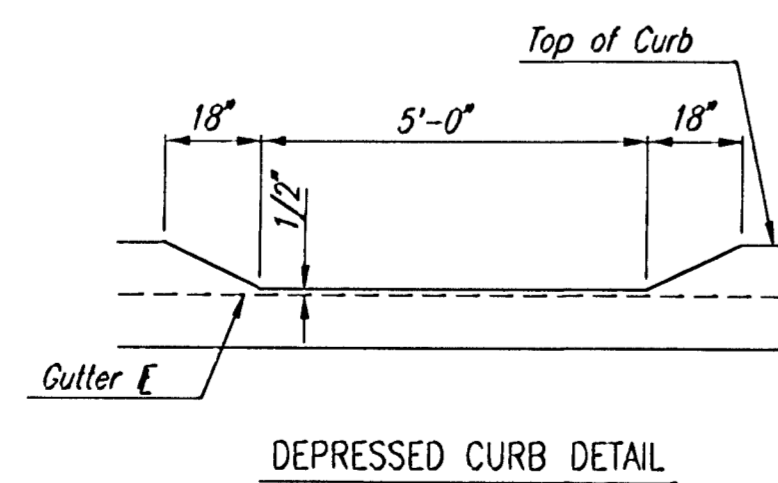
NOTE: PLACE 4" PVC PERFORATED PIPE AT ALL DRAINAGE SUMP LOCATION

COST OF UNDERDRAIN SYSTEM TO BE INCIDENTAL TO THE REINFORCED CRUSHED ROCK OR REINFORCED RECYCLED ASPHALT PAVEMENT (RAP) BASE.

INLET TYPE MAY VARY FROM THAT SHOWN.



GROOVE DETAIL



DEPRESSED CURB DETAIL

TYPICAL WHEELCHAIR RAMP DETAILS

4" WALK DETAILS

DSNR: BER OPER: JCA SCALE: 1=10.00  
CA: 2002/02/08 08:00 AM SCOTL 01-21-2003 03:35:53 pm

No.	Revision	By	Date
CITY OF WICHITA, KANSAS NEIL D. CABLE, P.E. - CITY ENGINEER BALTHROP 4TH ADDITION - PHASE 2 <b>MISCELLANEOUS PAVING DETAILS</b> CITY OF WICHITA PROJECT NO. 472-83469 <b>Professional Engineering Consultants, P.A.</b> 303 S. TOPEKA • WICHITA, KANSAS 67202 316-262-2691 • FAX 316-262-3003			
Designed by	BER	Job No.	35-02608-0
Drawn by		Date	January 2003
			SH. 13 of 43