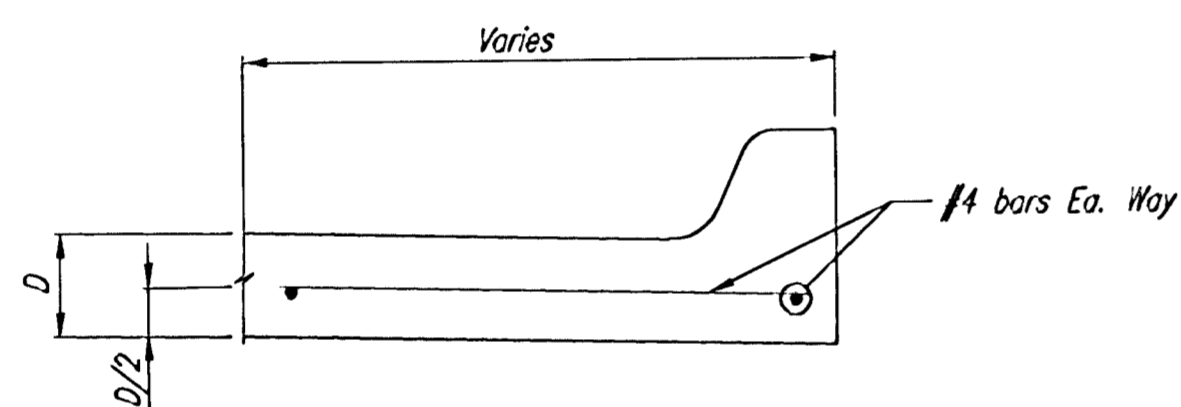


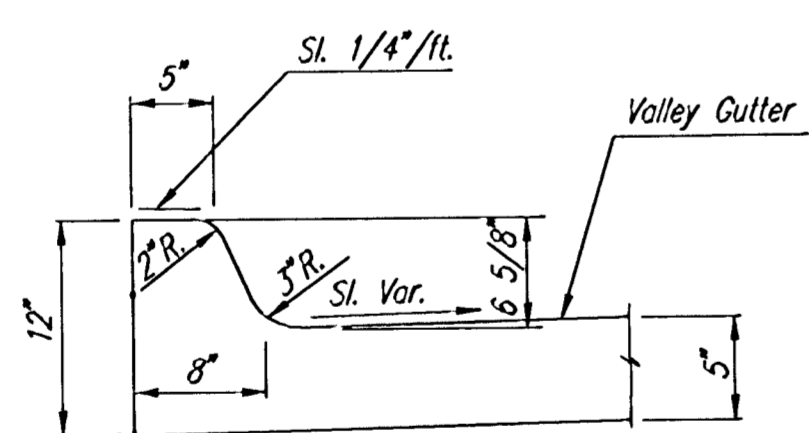
SECTION A-A

NOTE: OMIT REINFORCING MESH AT ALL JOINTS

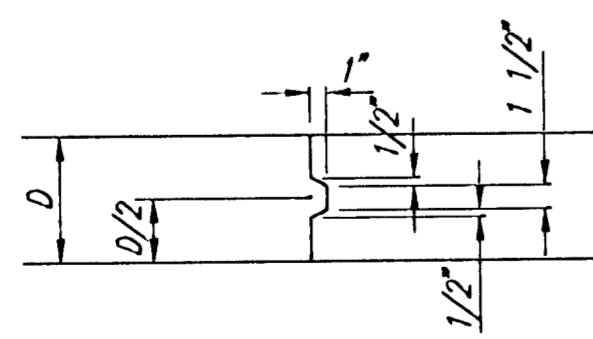
NOTE: ALL CONCRETE VALLEY GUTTER REINFORCEMENT SHALL BE ADEQUATELY SUPPORTED BY BAR CHAIRS IN THE REQUIRED POSITION UNLESS APPROVED OTHERWISE BY THE ENGINEER.



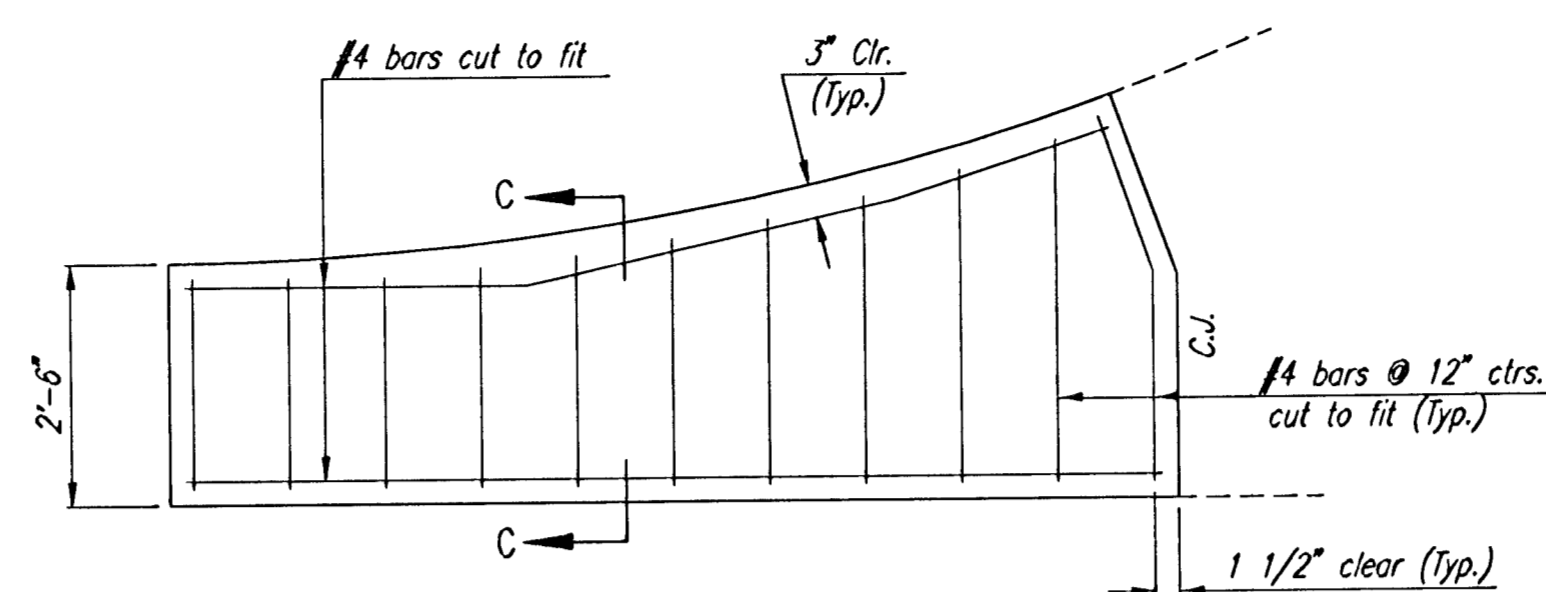
SECTION C-C



DETAIL B

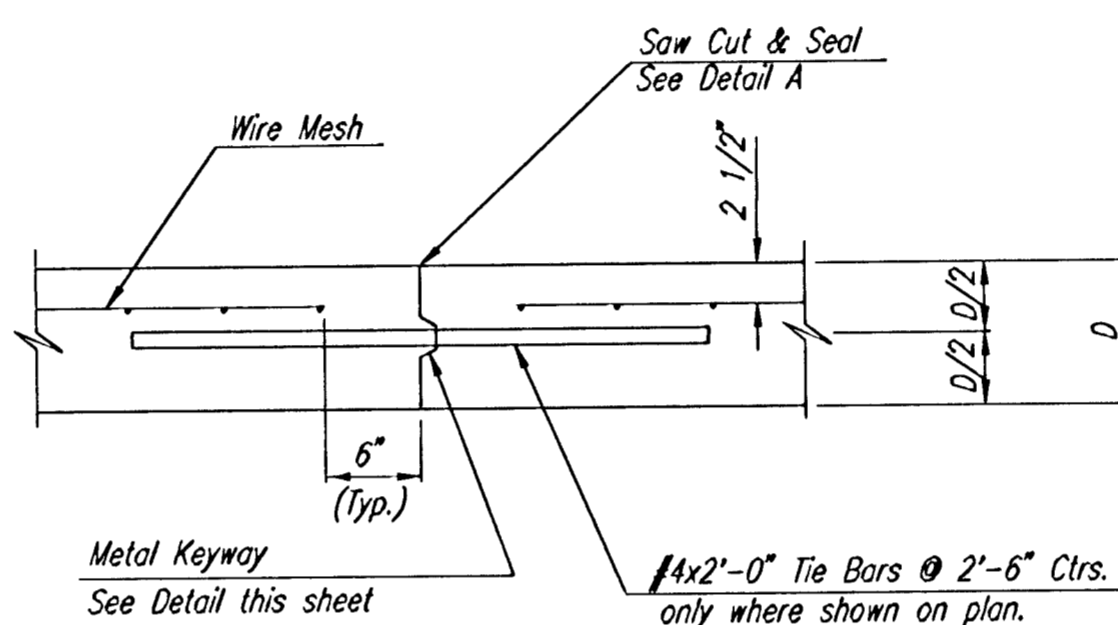


KEYWAY DETAIL

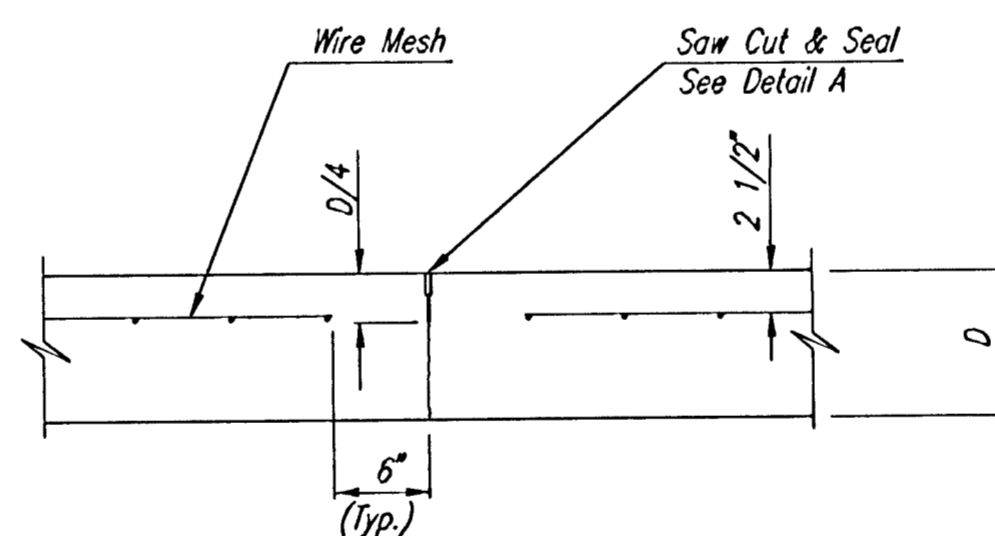


WING REINFORCING DETAIL

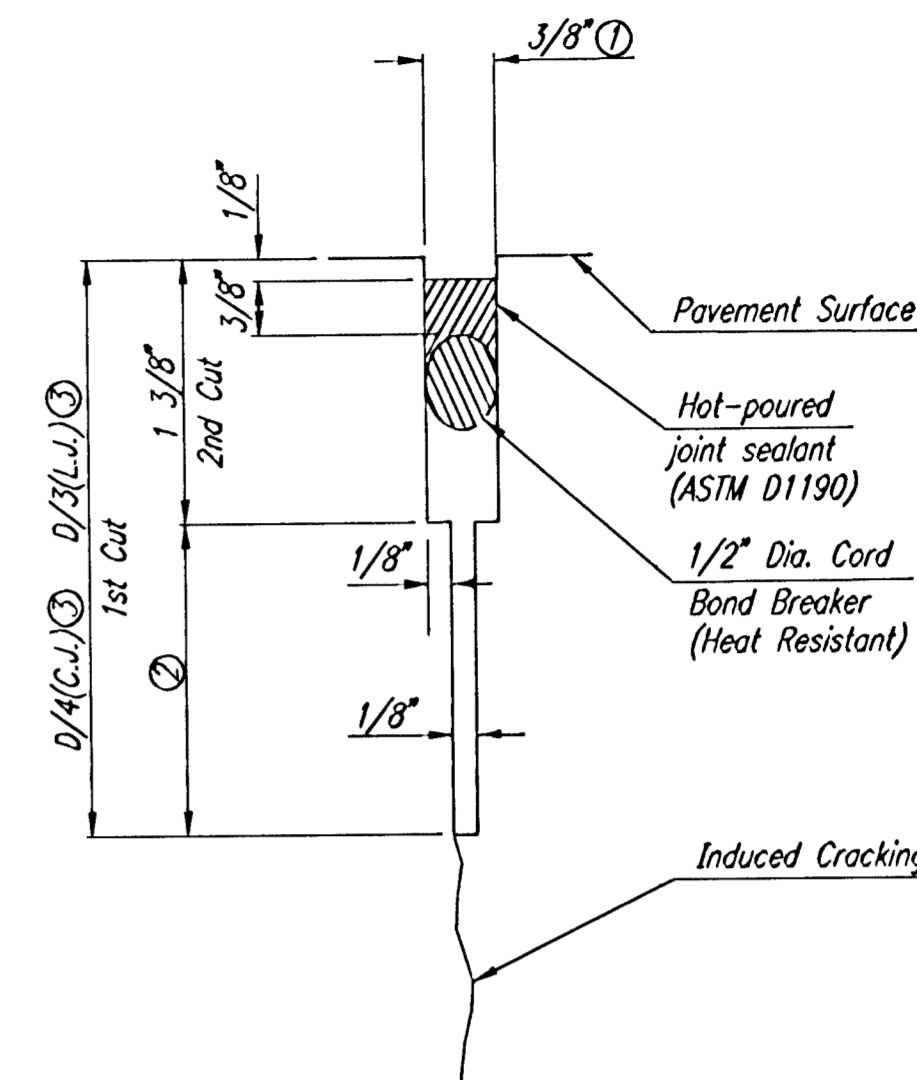
NOTE: OMIT WIRE FABRIC REINFORCING IN THIS SECTION.



LONGITUDINAL CONSTRUCTION JOINT DETAIL  
REINFORCED PAVEMENT  
(TRANSVERSE SECTION)  
(ALTERNATE L.J.)



CONTRACTION JOINT DETAIL  
REINFORCED PAVEMENT  
(C.J.)

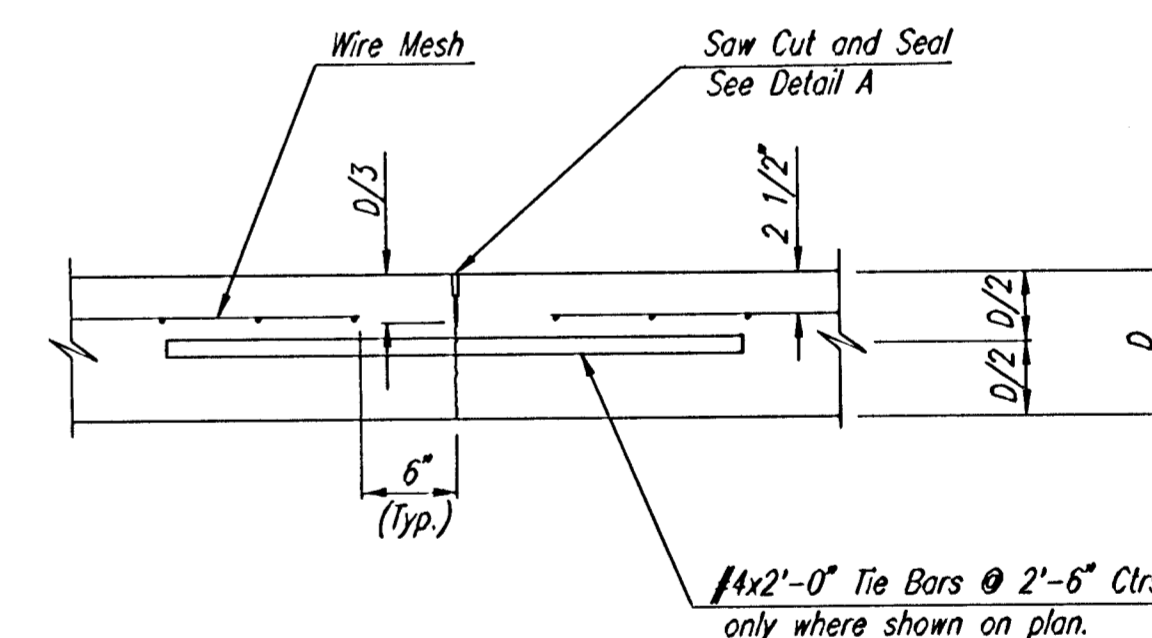


DETAIL A

① To be accomplished in 2 cuts for Longitudinal Joints and Contraction Joints. Initial cut to be 1/8" wide.

② Eliminate bottom of cut when metal keyway is used as part of Longitudinal or Transverse Construction Joint and at Doweled Construction Joint Locations.

③ 1 1/2" Minimum



LONGITUDINAL JOINT DETAIL  
REINFORCED PAVEMENT  
(TRANSVERSE SECTION)  
(L.J.)

DSNR: BER OPER: JCA SCALE: 1=10.00  
G:\2002\02608\000\VALGUTD\L 01-21-2003 03:27:57 pm

No.	Revision	By	Date
CITY OF WICHITA, KANSAS NEIL D. CABLE, P.E. - CITY ENGINEER BALTHROP 4TH ADDITION - PHASE 2 <b>VALLEY GUTTER DETAILS</b> CITY OF WICHITA PROJECT NO. 472-83469 <b>Professional Engineering Consultants, P.A.</b> 303 S. TOPEKA • WICHITA, KANSAS 67202 316-262-2691 • FAX 316-262-3003			
Designed by	BER	Job No.	35-02608-0
Drawn by		Date	January 2003
			Sht. 12 of 43