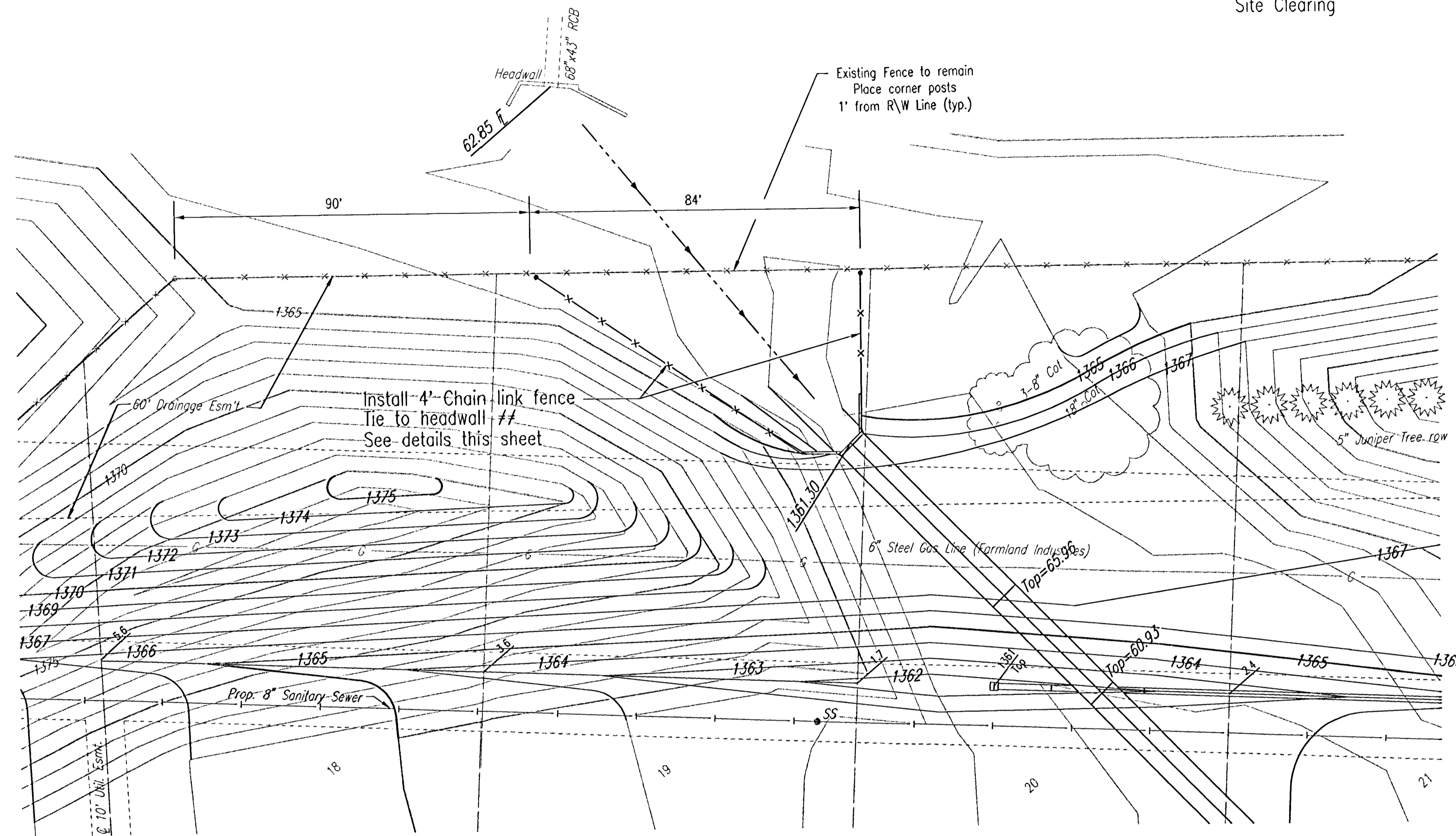
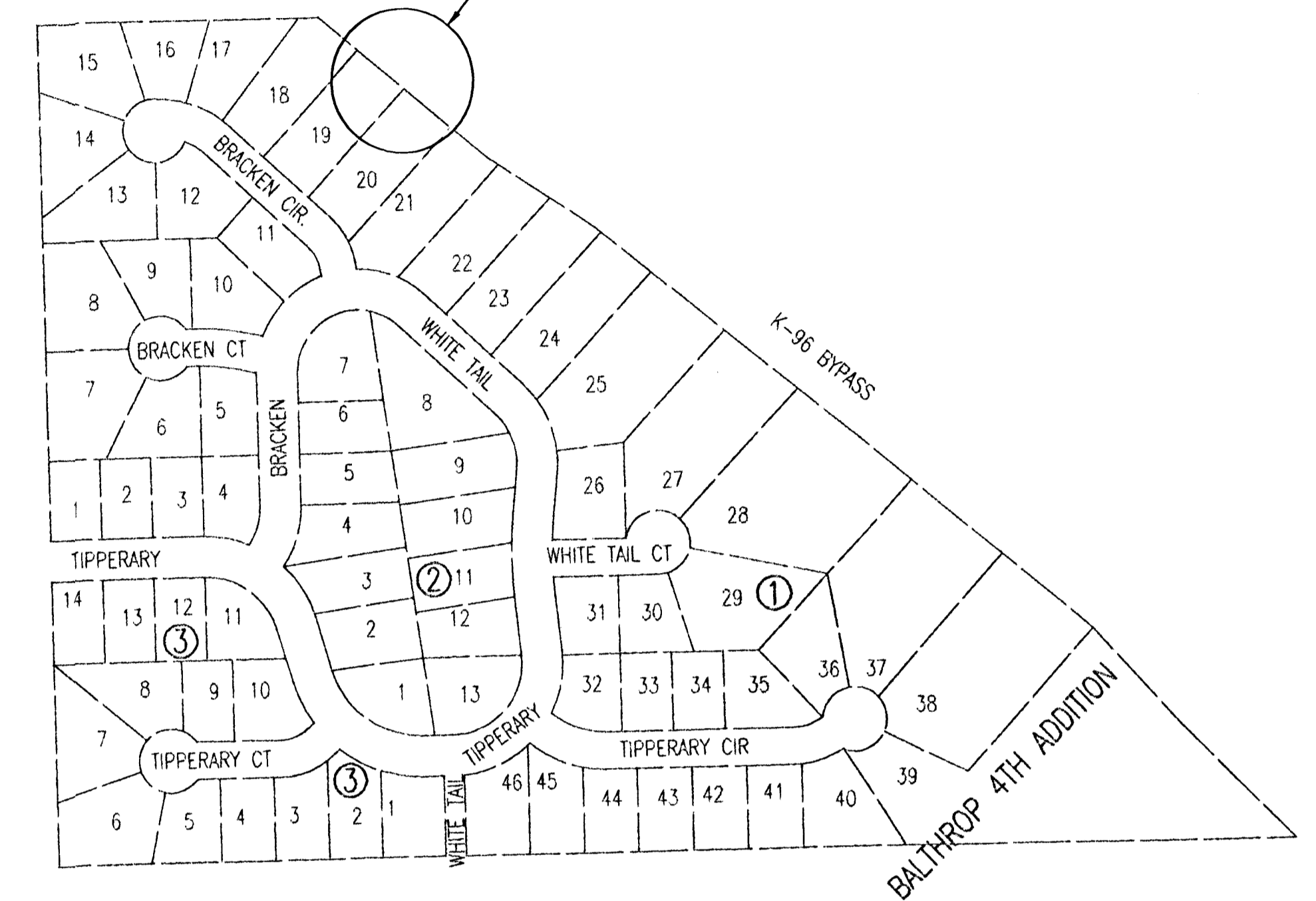


# Fence installation to be considered incidental to the contract bid item "Site Clearing"



SCALE: 1"=20'

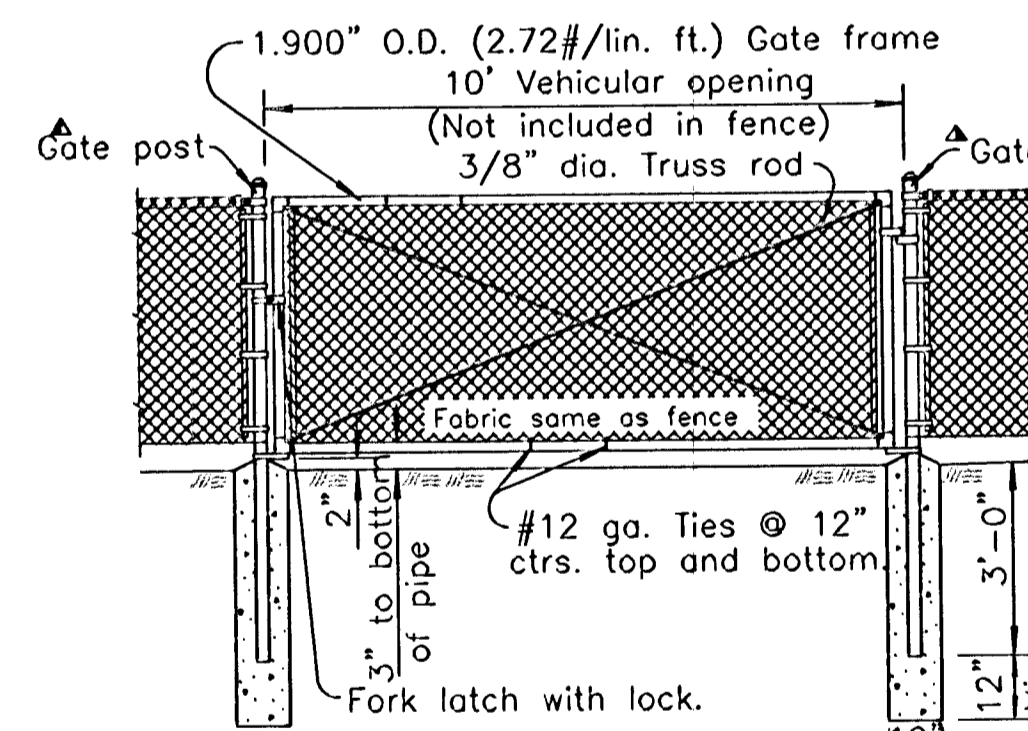
APPROX. LOCATION



GENERAL NOTE

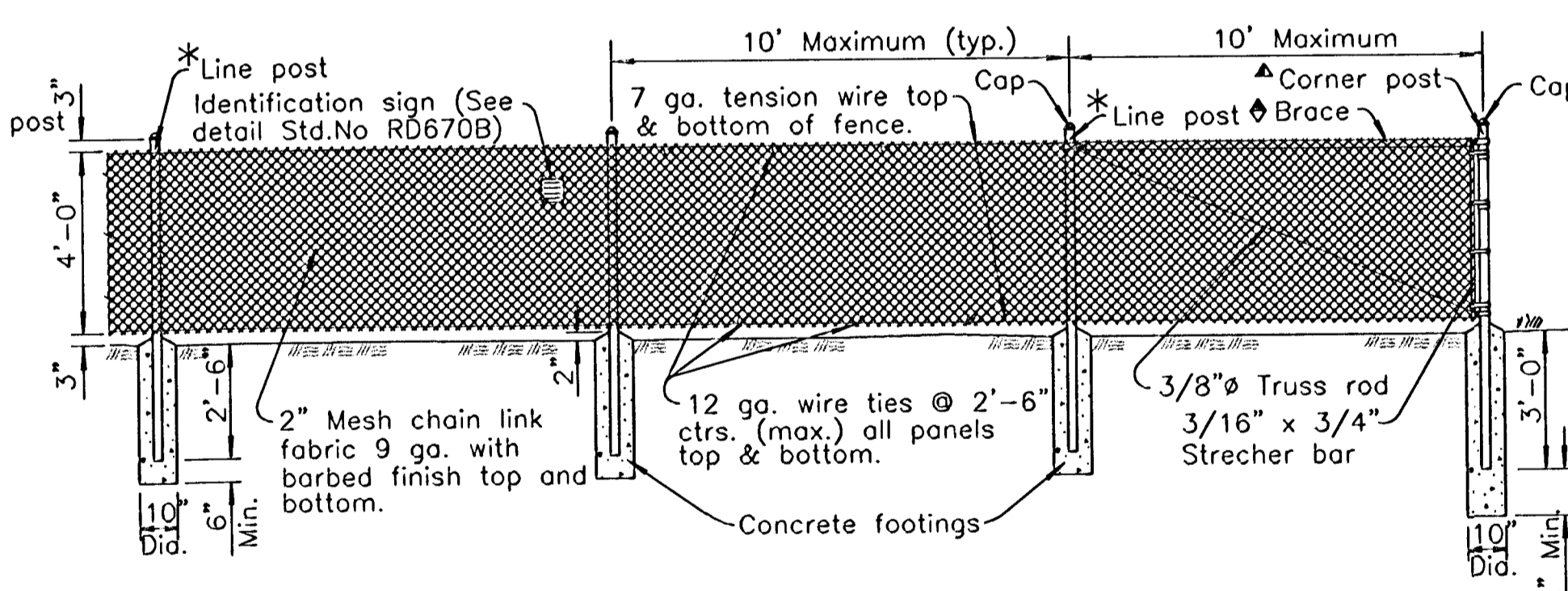
All steel posts, braces, fittings, and gate frames shall be galvanized and/or coated in accordance with KDOT Standard Spec. Steel posts shall be provided with fasteners to prevent slippage of the wire strands. Outside diameters shown for tubular steel posts, bracing and gate frames are nominal. Weight tolerances shall be as shown in the K.D.O.T. Standard Specifications.

Pull post assembly shall be used at sharp breaks in vertical grade or at approximately 330' centers (Woven & Chain link) or 1320' centers (Barbed wire) on straight runs or as directed by the Engineer. Concrete used in fence installation shall conform to the requirements of the K.D.O.T. Standard Specifications. Woven wire, chain link fabric, barbed wire and tension wire shall be either zinc coated (galvanized) or aluminum coated. Minimum strength of barbed wire and tension wire shall be as provided in the K.D.O.T. Standard Specifications. Use #9 gauge galvanized staples 1 1/2" to 1 3/4" long, or #9 gauge galvanized Ring-shank staples 1 1/2" to 1 3/4" long.



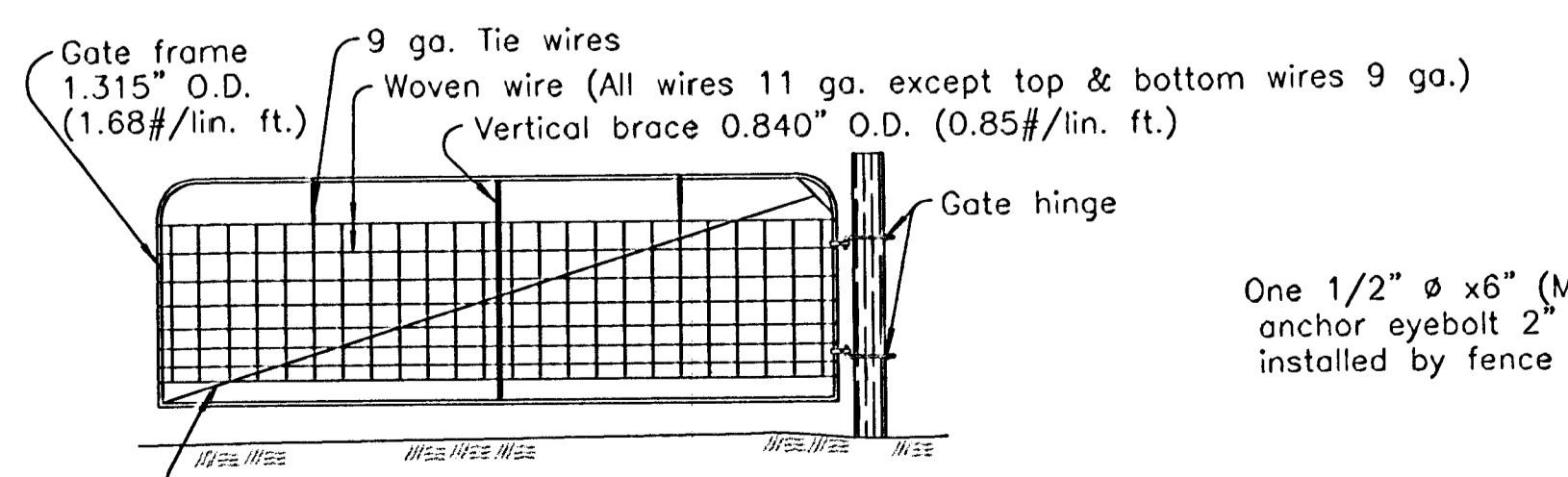
Note: Alternate gate designs may be submitted for approval. Lighter weight materials will not be approved.

DETAIL of GATE, HINGE & SPECIFICATIONS

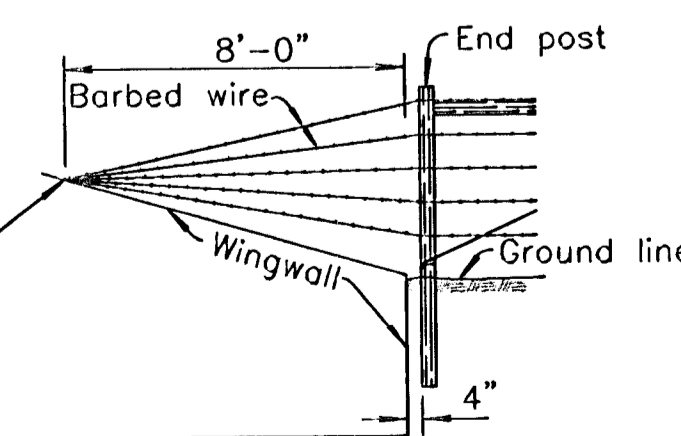


CHAIN LINK FENCE

- ◆ Steel line post 7'-0" length  
 Studed T (1.33#/lin. ft.)  
 U (1.33#/lin. ft.)  
 H (2.27#/lin. ft.)  
 1 3/4" Oval back I-beam (2.43#/lin. ft.)
- ◆ Brace  
 1.660" O.D., 0.083" Th. (1.40#/lin. ft.) pipe (Group 1C) or  
 1.660" O.D., 0.140" Th. (2.27#/lin. ft.) pipe (Group 1A) or  
 1 3/4" Oval Back I-Beam (2.45#/lin. ft.) or  
 1 5/8"x1 3/4" Brace rail (See Alt. Details)
- \* Line post 7'-0" length.  
 2.375" O.D., 0.154" Th. (3.65#/lin. ft.) pipe (Group 1A) or  
 2.375" O.D., 0.130" Th. (3.12#/lin. ft.) pipe (Group 1C) or  
 1 3/4" Oval Back I-Beam (2.43#/lin. ft.) or  
 1 5/8"x1 7/8" C Post (2.28#/lin. ft.) or  
 H Post (2.6#/lin. ft. min.)
- ▲ End, corner, gate, or pull post 7'-6" length.  
 (A120) 2.875" O.D., 0.203" Th. (5.97#/lin. ft.) pipe (Group 1A)  
 or 2.875" O.D., 0.160" Th. (4.64#/lin. ft.) pipe (Group 1C) or  
 2 1/4" Oval Back I-Beam (3.65#/lin. ft.) or  
 3 1/2"x3 1/2" Type II (4.85#/lin. ft.)

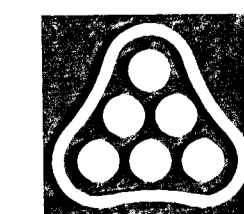


DETAIL of GATE, HINGE & SPECIFICATIONS (for Barbed & Woven Fence)



FENCE DETAILS AT DRAINAGE STRUCTURES

DSNR: BER OPER: JGA SCALE: 1"=20.00  
 C:\2002\02608\000\Fencing.dwg 02-07-2003 11:43:06 am



No.	Revision	By	Date
CITY OF WICHITA, KANSAS NEIL D. CABLE, P.E. - CITY ENGINEER BALTHROP 4TH ADDITION - PHASE 2 <b>FENCING PLAN AND DETAILS</b> CITY OF WICHITA PROJECT NO. 472-83469 <b>Professional Engineering Consultants, P.A.</b> 303 S. TOPEKA - WICHITA, KANSAS 67202 316-262-2691 • FAX 316-262-3003			
Designed by	BER	Job No.	35-02608-0
Drawn by	DEP	Date	January 2003