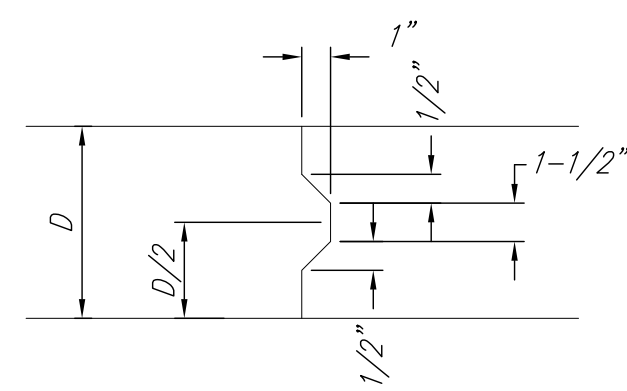
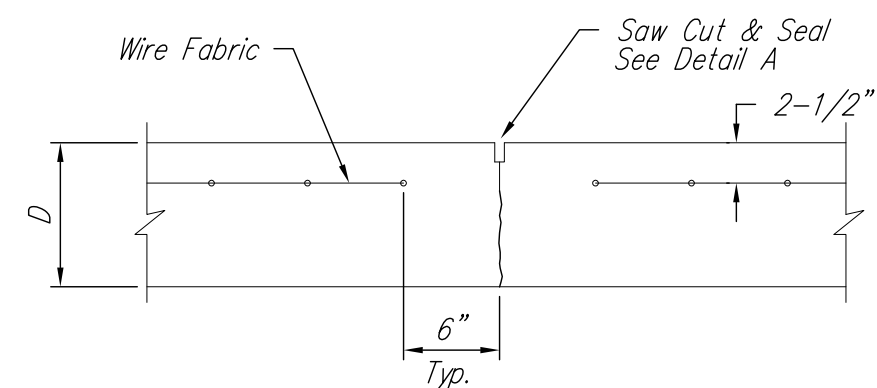


**EXPANSION JOINT**

NOTE: Extra Thickness to be Subsidiary to Price of Square Yards Pavement



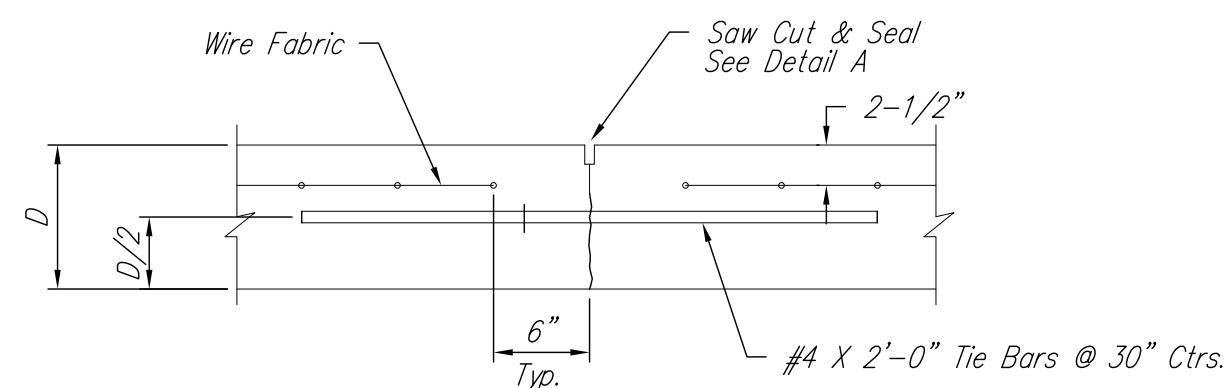
**KEYWAY DETAIL**



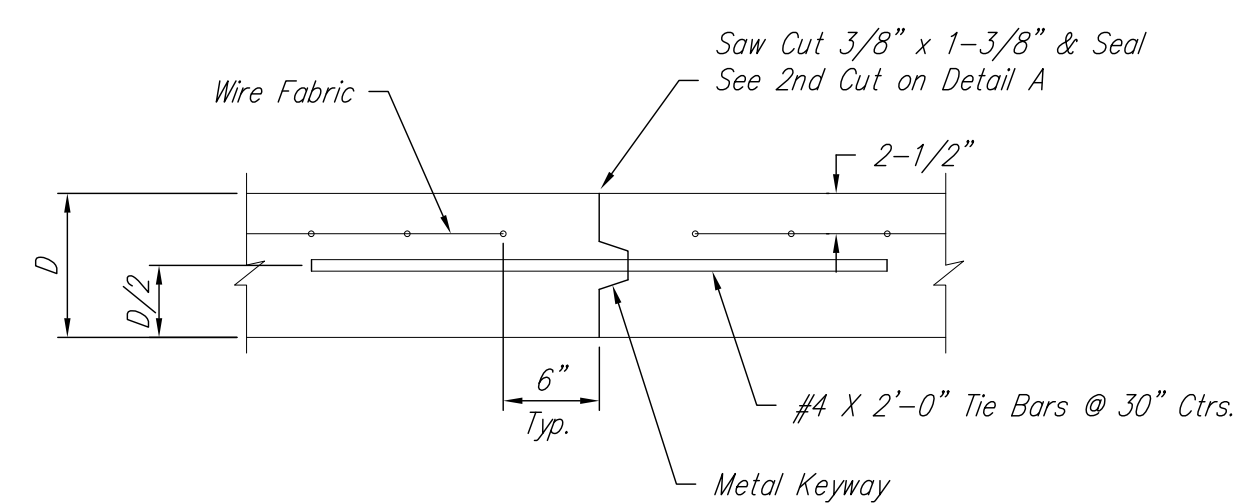
**CONTRACTION JOINT DETAIL (C.J.)**



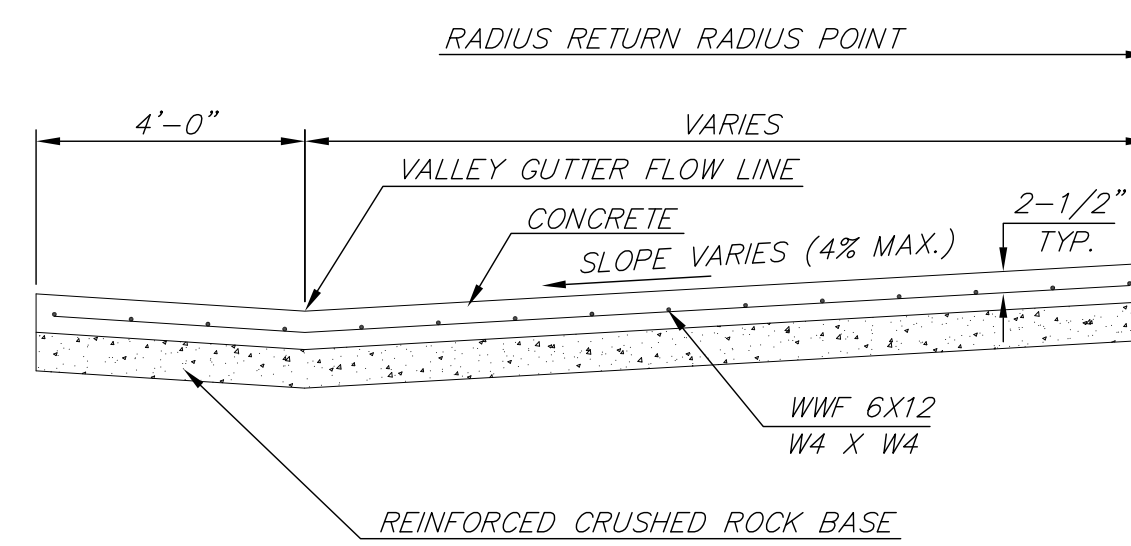
**OPTIONAL CONTRACTION JOINT**



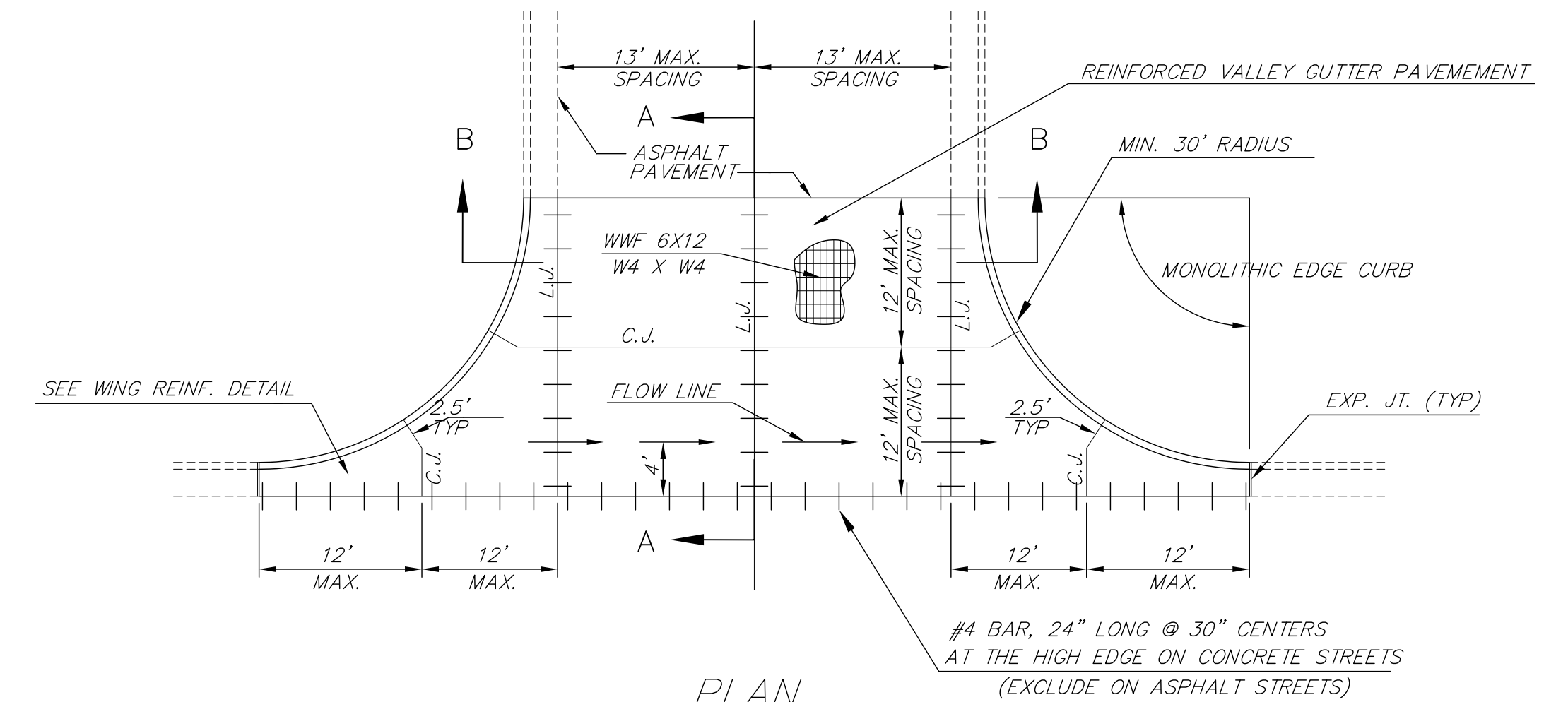
**LONGITUDINAL JOINT DETAIL (L.J.)**



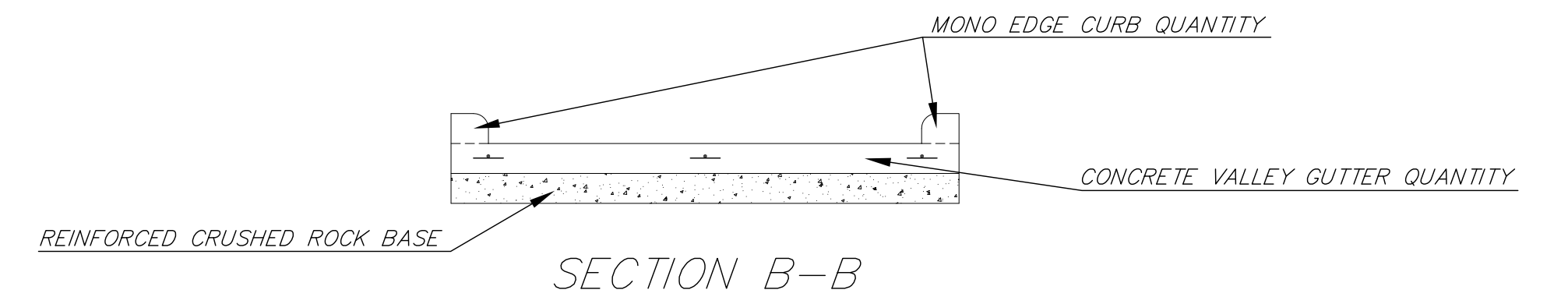
**OPTIONAL LONGITUDINAL JOINT DETAIL (L.J.)**



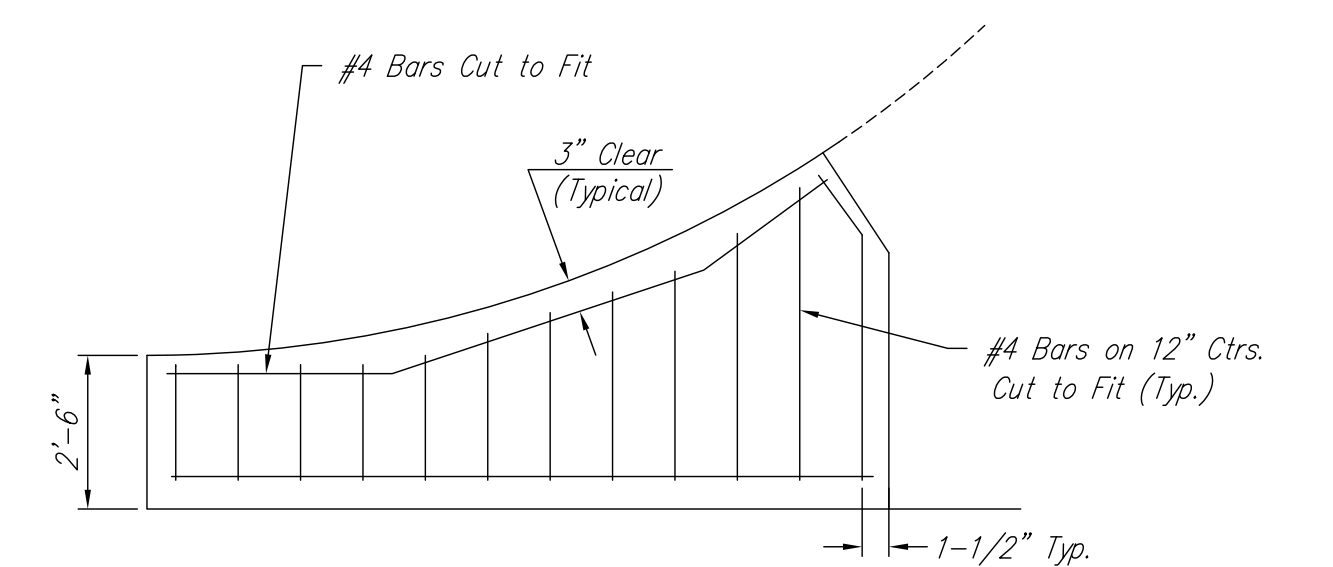
**SECTION A-A**



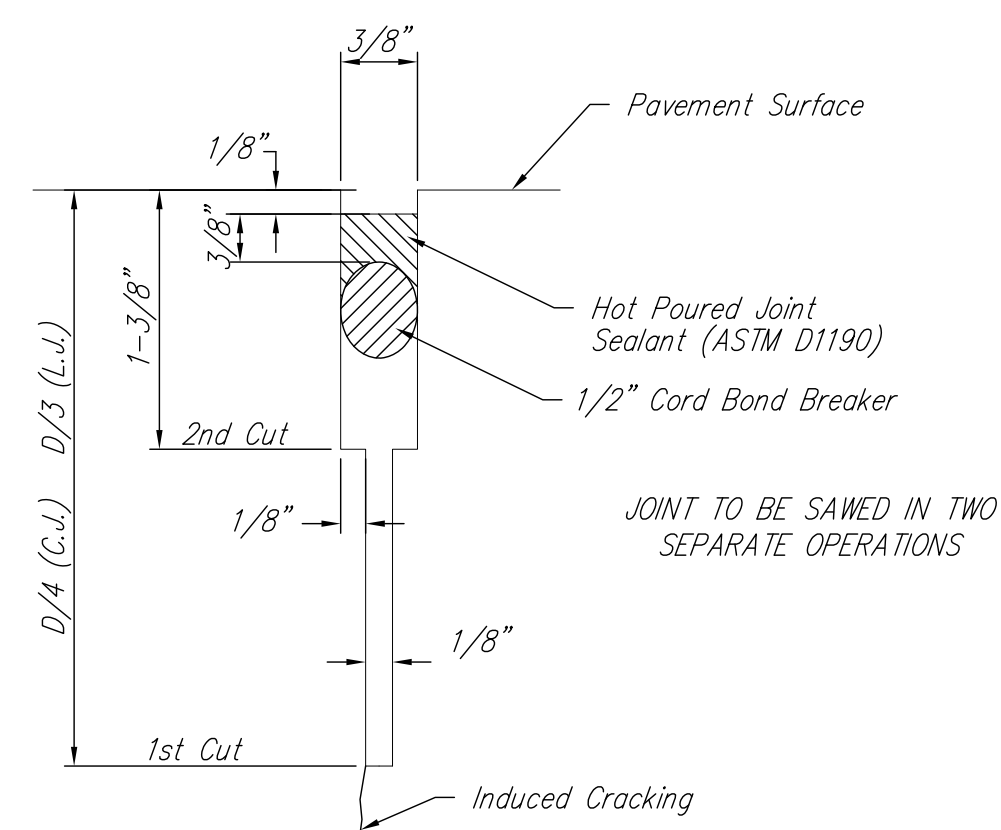
**PLAN**



**REINFORCED VALLEY GUTTER DETAIL**



**WING REINFORCING DETAIL**



**SAW JOINT DETAIL (DETAIL A)**

REVISED: NOVEMBER 2015

<p><b>CITY OF WICHITA</b> PUBLIC WORKS &amp; UTILITIES ENGINEERING DIVISION</p>	<b>VALLEY GUTTER DETAILS</b>		
	CITY ENGINEER <b>GARY JANZEN, P.E.</b>		
	PROJECT NUMBER	OCA NUMBER	DATE
CITY ENGINEER'S OFFICE CITY HALL - SEVENTH FLOOR 455 NORTH MAIN STREET WICHITA, KANSAS 67202-1620 (316) 268-4501		SHEET	<b>5 of 22</b>