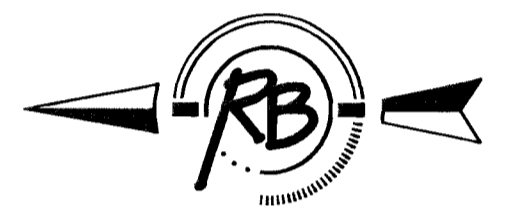
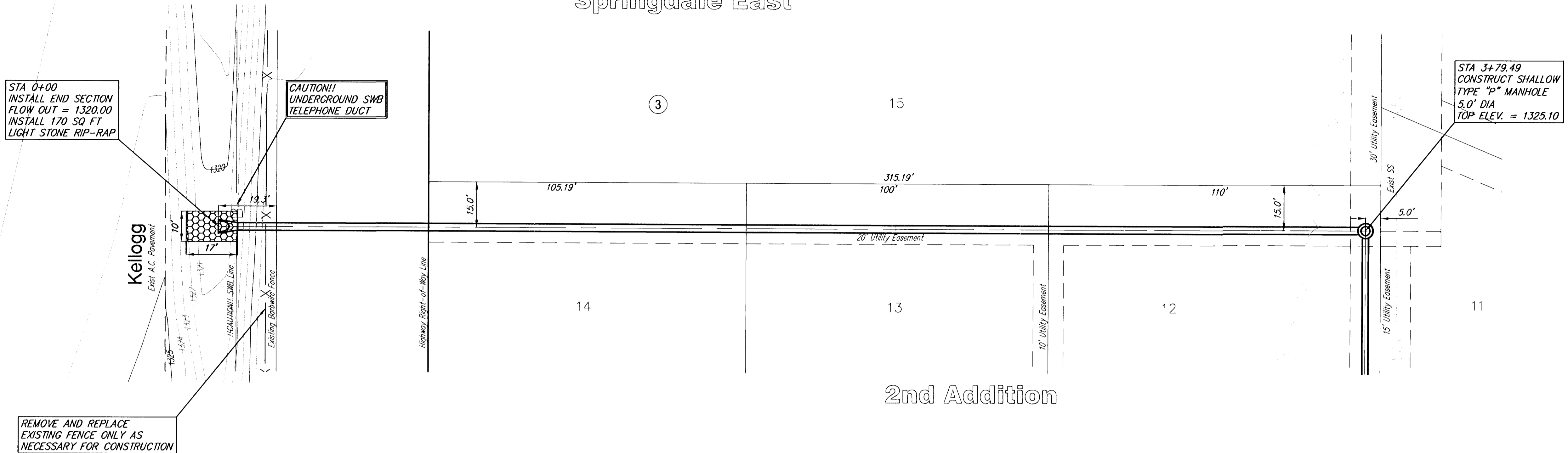
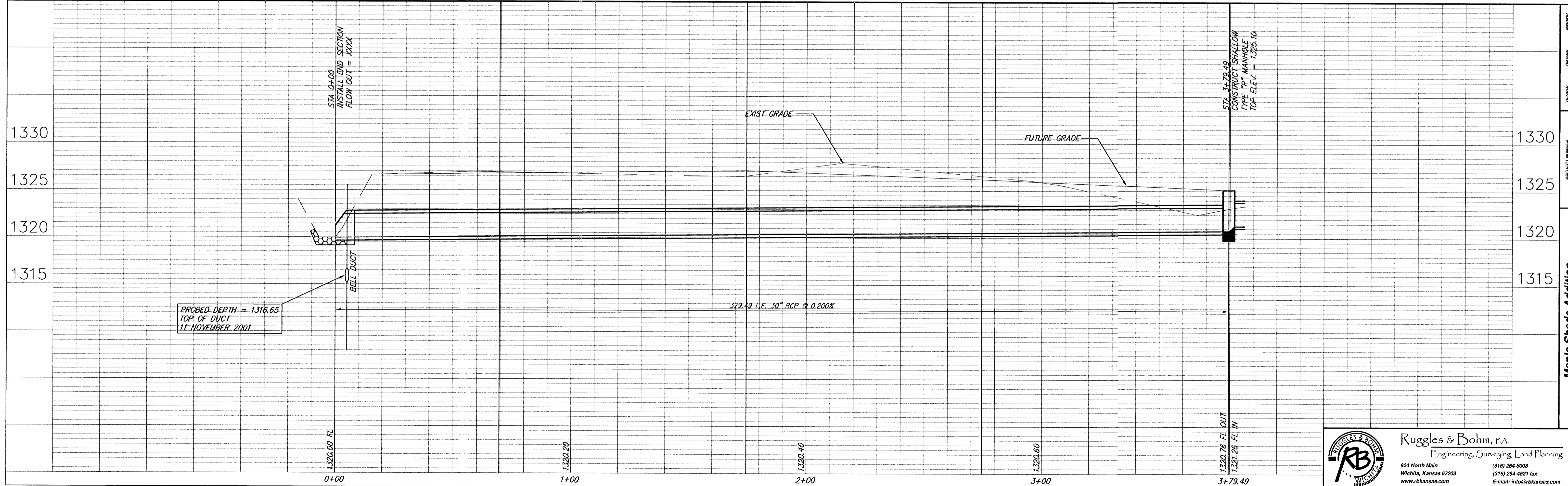


# Springdale East



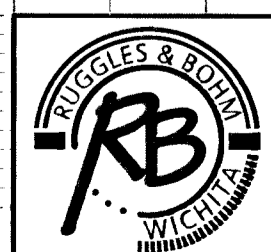
SCALE 1" = 40'  
IRON = •



REVIEW	DATE	REVISION
BRUNN	NOV. 27, 2002	
EJC		
DESIGN		
CMB	UTILITY	

PROJECT NUMBER	DRAWING FILE
472-83482	SWS [SWS 01]

**Maple Shade Addition**  
**Incidental Drainage**  
WICHITA, KANSAS



**Ruggles & Bohm, P.A.**  
Engineering, Surveying, Land Planning  
924 North Main  
Wichita, Kansas 67203  
www.rbkansas.com  
(316) 264-8008  
(316) 264-4621 fax  
E-mail: info@rbkansas.com

SUB JOB	SHEET
2068E	10
	OF
	27