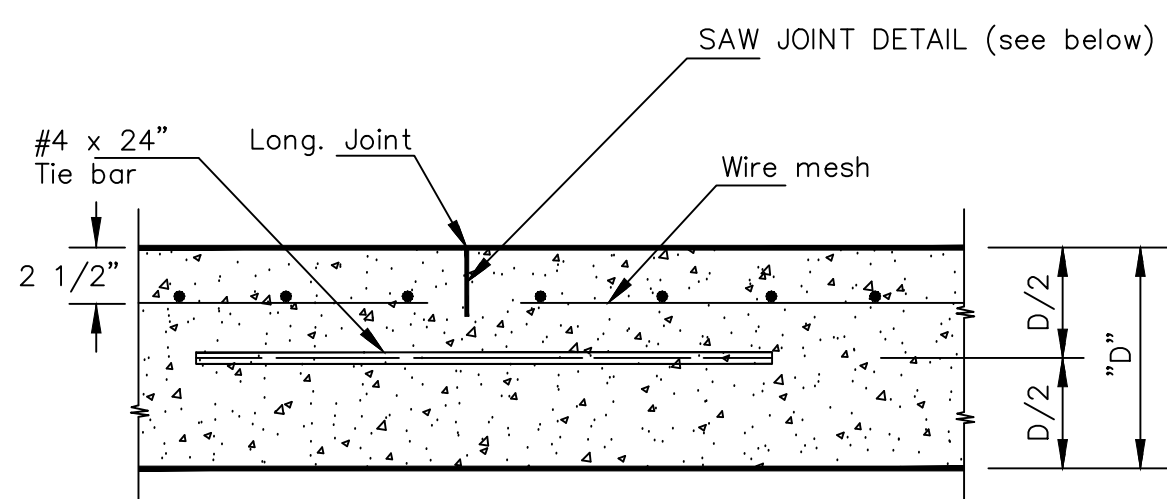


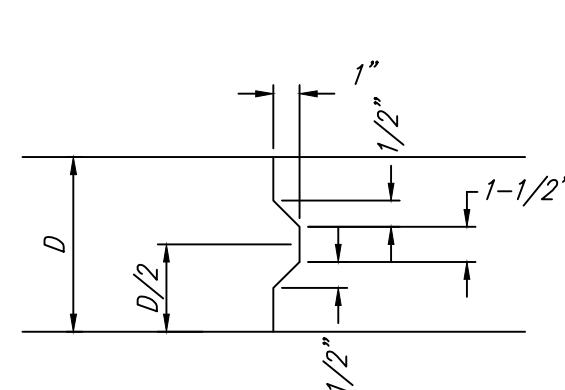
NOTE: The lap shall extend beyond the first transverse wire of each sheet.  
 The sheets shall be wired securely at the edges and at intervals not to exceed 2'-6" for the full width of the sheet. Approx. weight of wire mesh = 44 lbs. per 100 sq. ft.  
 Other methods for fastening the sheets of wire mesh at the laps may be used with the approval of the Engineer.

NOTE: CONTRACTION JOINTS AND EXPANSION JOINTS SHALL BE FORMED IN THE MONOLITHIC CURB AT ALL LOCATIONS WHERE SUCH JOINTS ARE PLACED IN THE PAVEMENT. ADDITIONAL CONTRACTION JOINTS SHALL BE CUT IN THE MONOLITHIC CURB IN UNIFORM LENGTHS NOT EXCEEDING TEN FOOT INTERVALS BETWEEN THOSE JOINTS WHICH COINCIDE WITH JOINTS IN THE PAVEMENT.

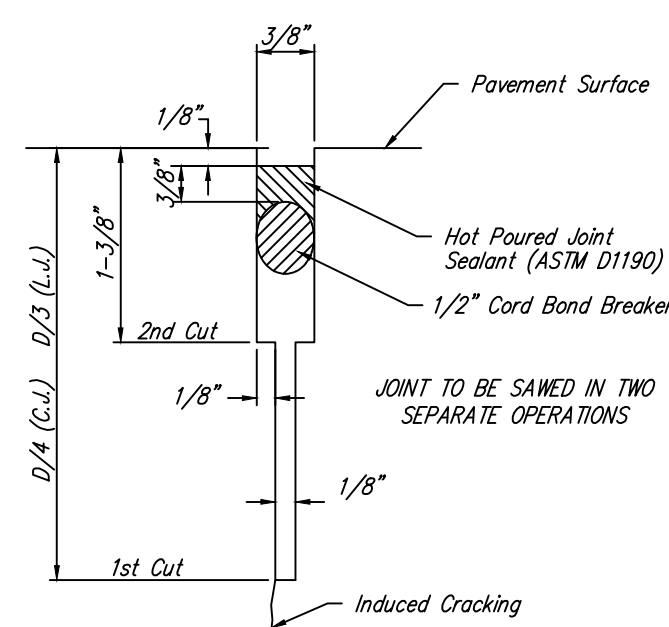


LONGITUDINAL JOINT & CONTRACTION JOINT DETAIL TRANSVERSE SECTION

NOTE: Longitudinal joint formed by sawing 2 3/4" deep and 3/8" wide and filled as specified in standard specifications.



KEYWAY DETAIL

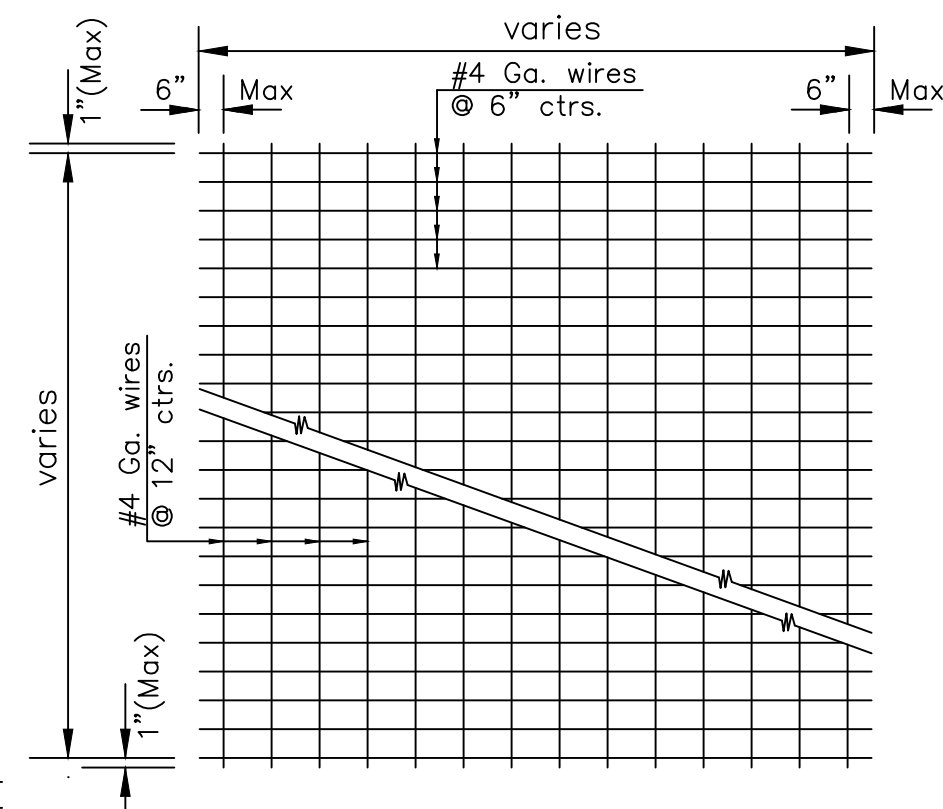


SAW JOINT DETAIL (DETAIL A)

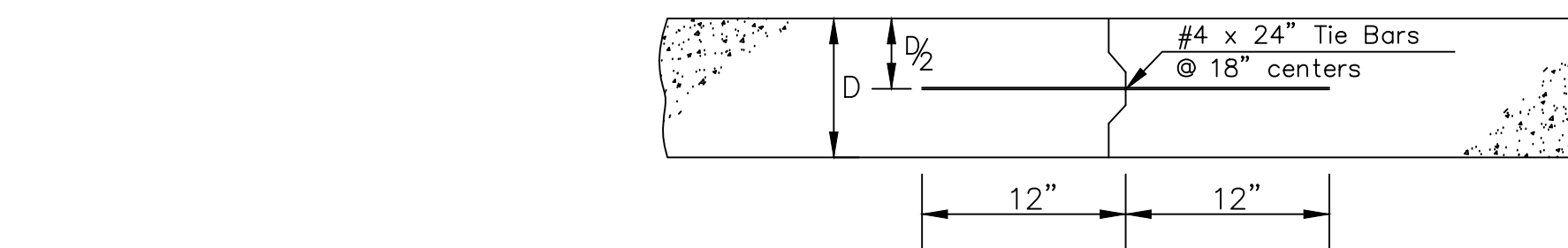
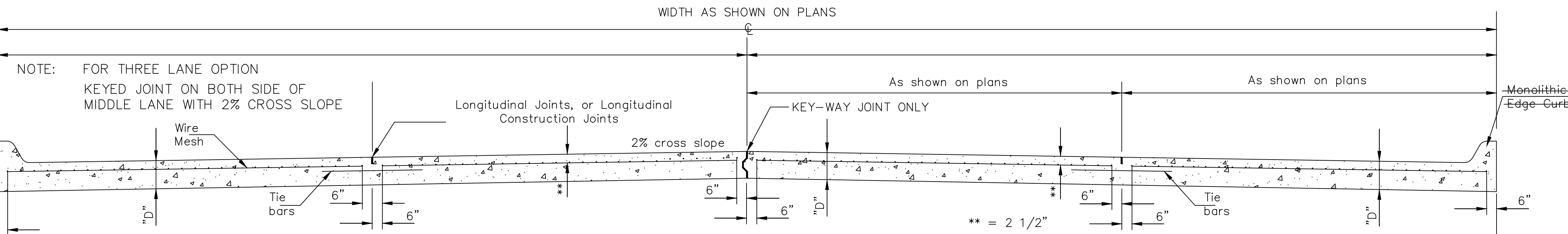
SECTION OF RECESSED FORM LEG

NOTE:  
 RESIDENTIAL PAVEMENT 6" ON 6"  
 COMMERCIAL PAVEMENT 8" ON 6"

NOTE: EXPANSION JOINT MATERIAL MUST BE SECURELY HELD BY USING METAL STAKES, METAL PINS, OR BY OTHER APPROVED METHODS SO THAT WHEN THE PAVEMENT IS COMPLETED EXPANSION MATERIAL WILL BE PERPENDICULAR TO THE SURFACE OF THE COMPLETED PAVEMENT. CONCRETE SHALL BE HAND PLACED ON EACH SIDE OF THE EXPANSION JOINT MATERIAL IN A MANNER THAT WILL PRECLUDE DISPLACEMENT OF THE EXPANSION JOINT MATERIAL.

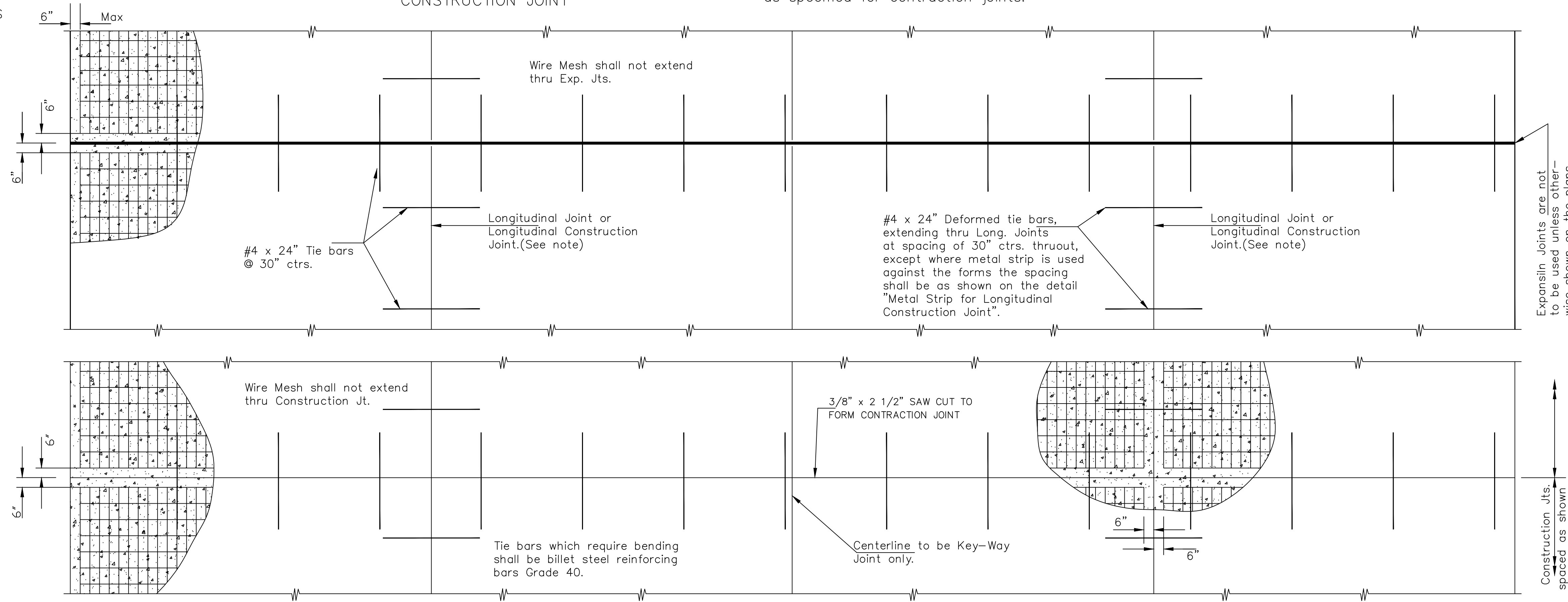


TYPICAL SHEET OF WELDED WIRE MESH

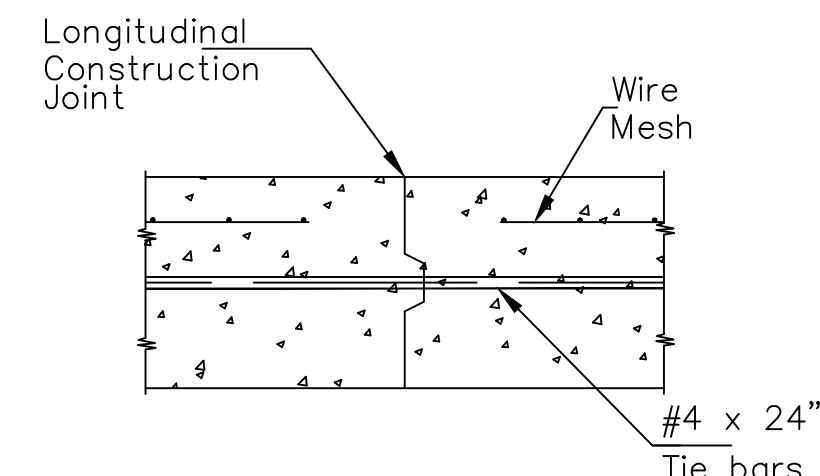


TRANSVERSE SECTION

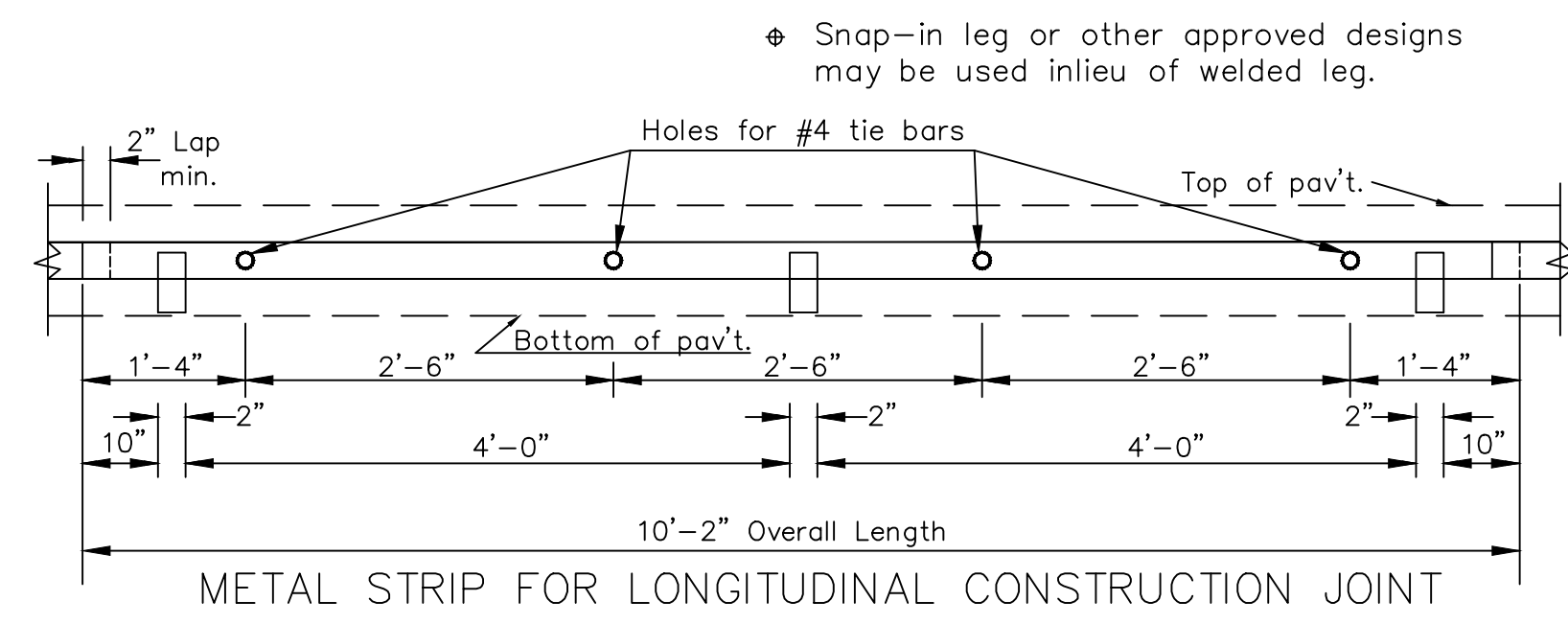
Note: A Construction Joint is required when the pour has been interrupted for a substantial length of time or at the end of a day's pour. Transverse Construction Joints shall be sawed and filled as specified for contraction joints.



PLAN



LONGITUDINAL CONSTRUCTION JOINT DETAIL TRANSVERSE SECTION



TO BE USED ONLY AGAINST FORMS. SHALL NOT EXTEND THROUGH CONTRACTION OR EXPANSION JOINTS. OTHER TYPES OF CONSTRUCTION SHALL BE PERMITTED WITH THE APPROVAL OF THE ENGINEER.



REVISED: NOVEMBER 2015		
<b>NON ARTERIAL CONCRETE PAVEMENT DETAIL</b>		
CITY ENGINEER <b>GARY JANZEN, P.E.</b>		
PROJECT NUMBER <b>472-85298</b>	OCA NUMBER <b>092600</b>	DATE
CITY ENGINEER'S OFFICE CITY HALL - SEVENTH FLOOR 455 NORTH MAIN STREET WICHITA, KANSAS 67202-1620 (316) 268-4501		SHEET <b>3 of 15</b>