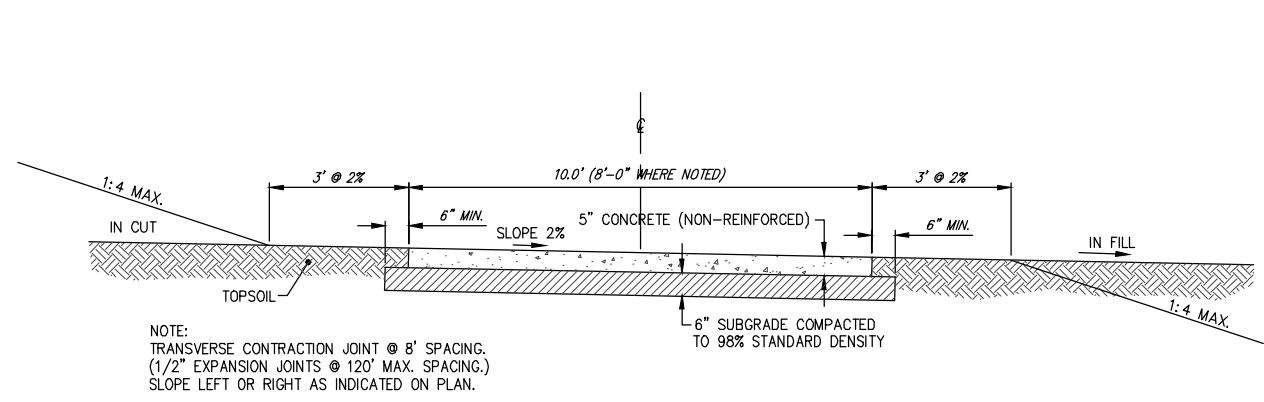
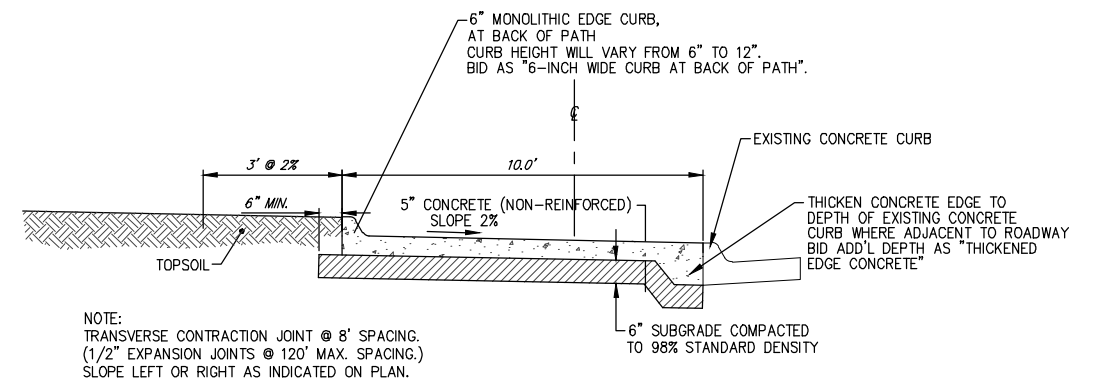


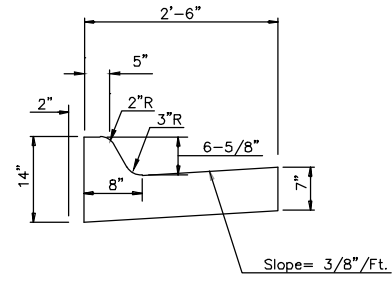
STATE	PROJECT NO.	YEAR	SHEET NO.	TOTAL SHEETS
KANSAS	87 xx-xxxx-01	2016	16	24



1 TYPICAL SECTION (5" CONCRETE)
NOT TO SCALE

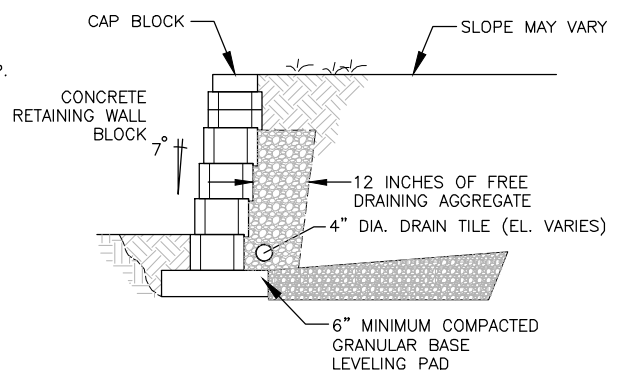


2 5" CONCRETE SECTION W/ MONOLITHIC CURB
NOT TO SCALE

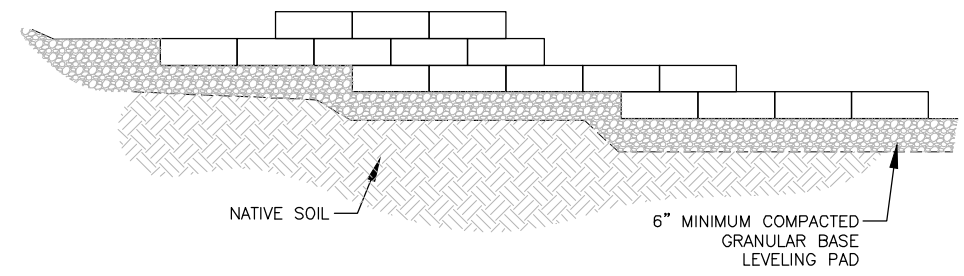


3 COMBINED CONCRETE CURB & GUTTER (6 - 5/8")
NOT TO SCALE

NOTE:
USE EXTERIOR GRADE
CONCRETE CONSTRUCTION
ADHESIVE TO SECURE CAP.



BLOCK WALL MATERIAL:
ANCHOR DIAMOND PRO
STRAIGHT-FACED BLOCKS.
COLOR: OZARK BLEND
OR APPROVED EQUIVALENT



4 CONCRETE BLOCK RETAINING WALL
NOT TO SCALE

Green Street Bikeway Pavement Details		DATE APRIL 2016
 RUGGLES & BOHM		DESIGN BDT
		DRAWN DK
<small>ENGINEERING SURVEYING LANDSCAPE ARCHITECTURE GOVERNMENT</small>		REVIEW
<small>824 NORTH MAIN WICHITA, KANSAS 67203 P (316) 264-8000 F (316) 264-4622 WWW.RUGGLES.COM</small>		SHEET
PROJECT NUMBER 472-85112	RB JOB NO. 4180H	DWG. SCALE ...
DRAWING FILE 4180-Detail Base-Phase 2 [Pavement Details]		16 OF 24