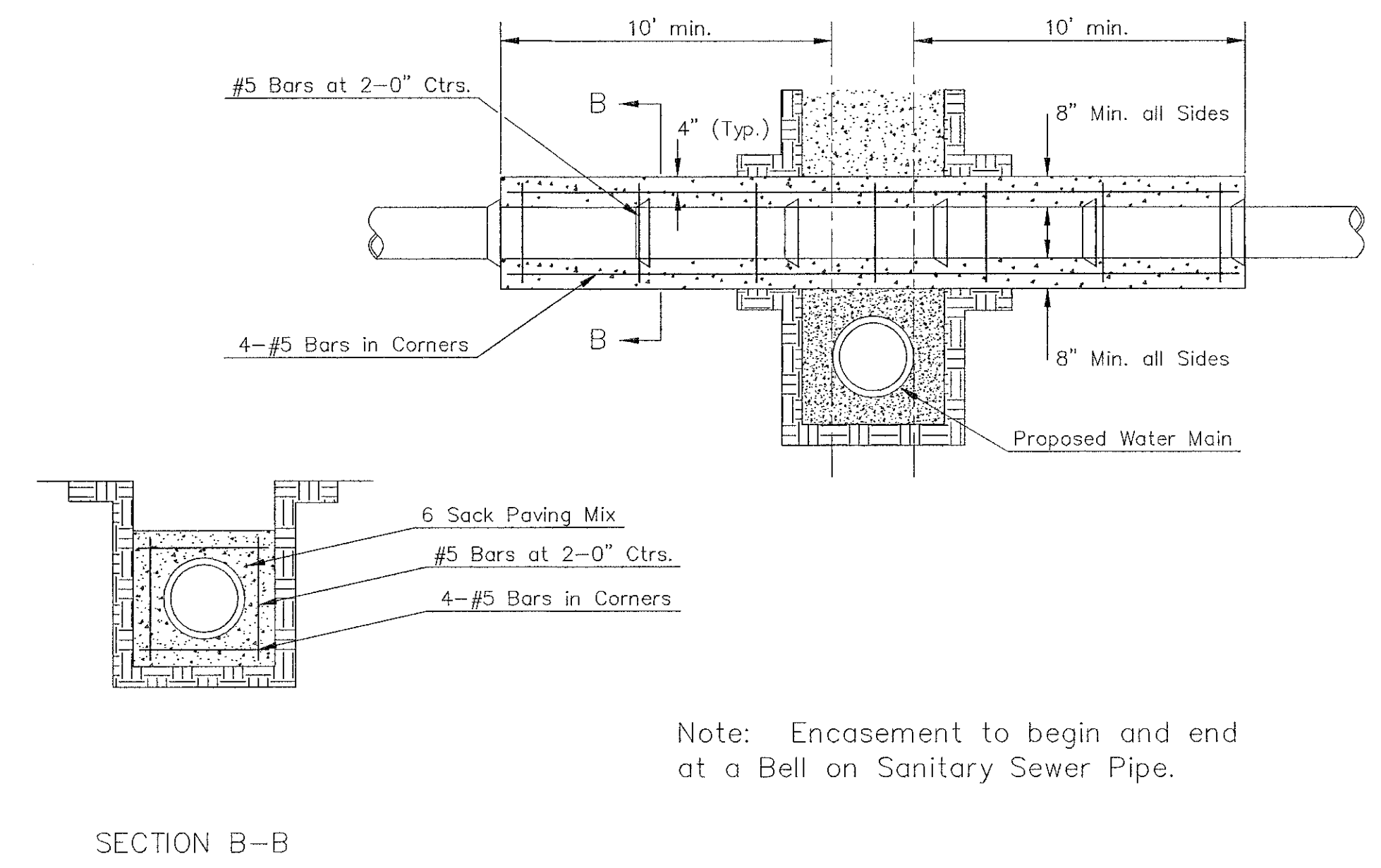


TRENCH COMPACTION IN ROAD RIGHT-OF-WAY



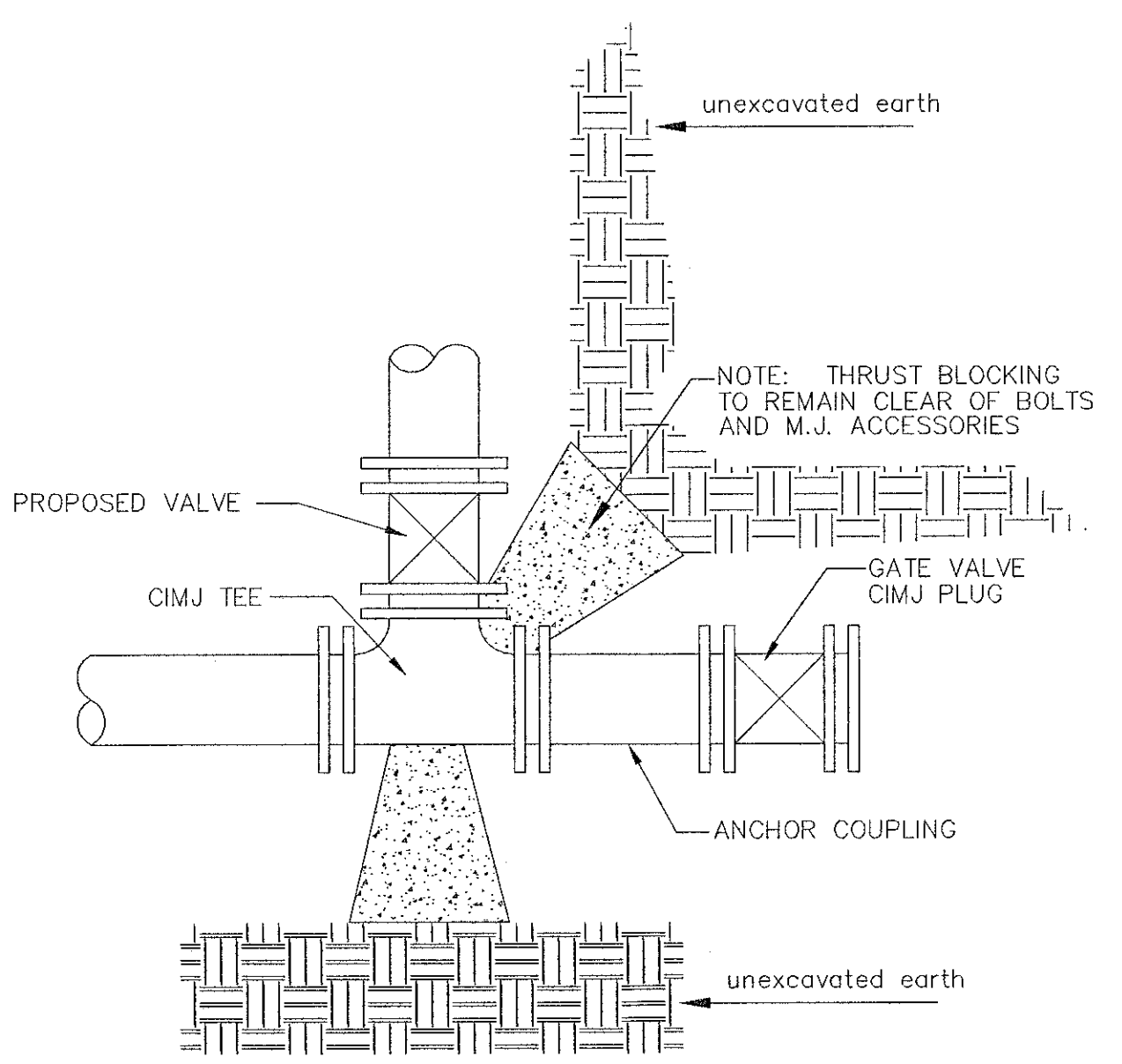
REINFORCED CONCRETE ENCASEMENT OF SANITARY SEWER

Note: Encasement to begin and end at a Bell on Sanitary Sewer Pipe.

SECTION B-B

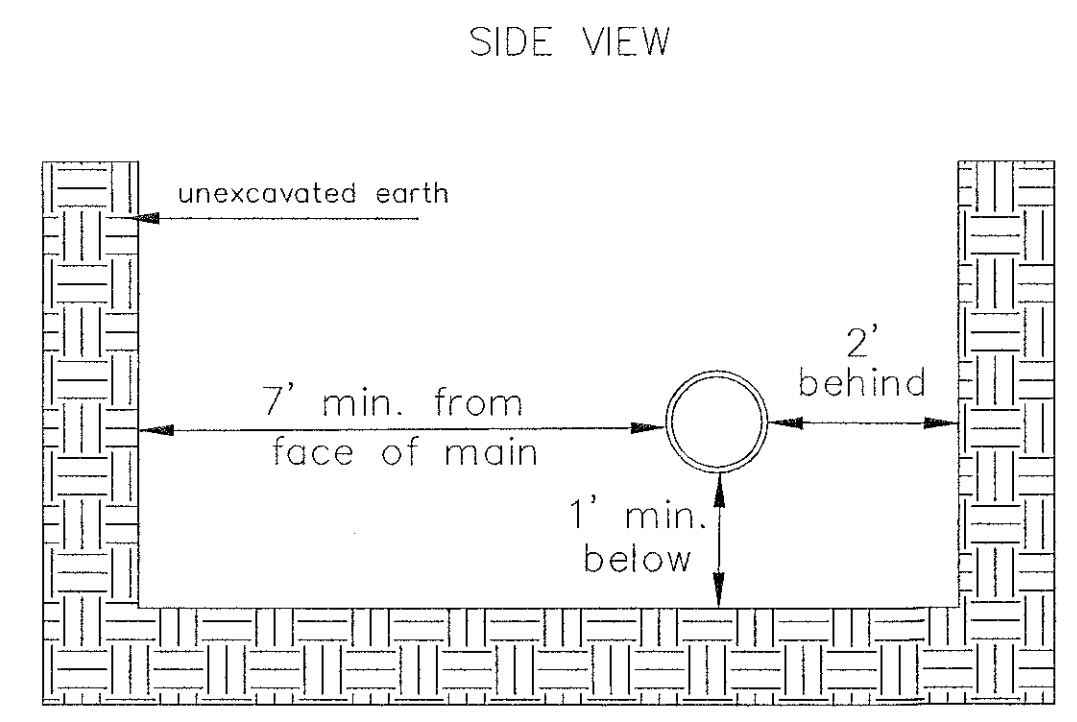
PIPE SIZE	THRUST AT FITTINGS IN TONS-AT 150#/IN <sup>2</sup> P					
	PLUG	90°	45°	22 1/2°	11 1/4°	TEE
6"	2.8	3.95	2.15	1.09	.55	2.8
8"	4.9	6.95	3.75	1.90	.96	4.9
12"	11.4	16.1	8.75	4.45	2.25	11.4
16"	20.15	28.5	15.4	7.85	3.95	20.15
20"	31.15	44.0	23.85	12.15	6.10	31.15
24"	44.55	63.0	34.1	17.4	8.75	44.55

TYPICAL THRUST BLOCKS

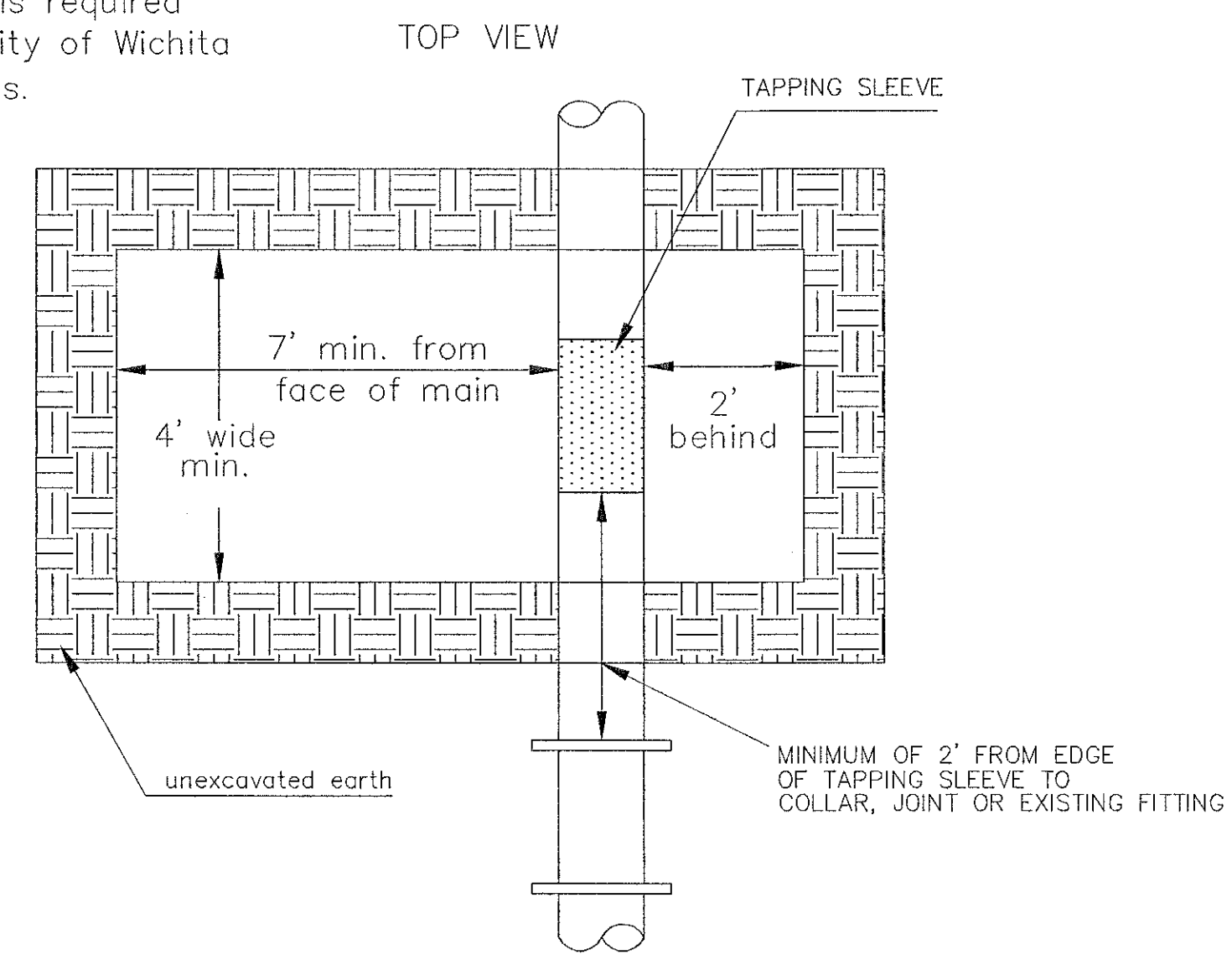


KEY BLOCK DETAIL

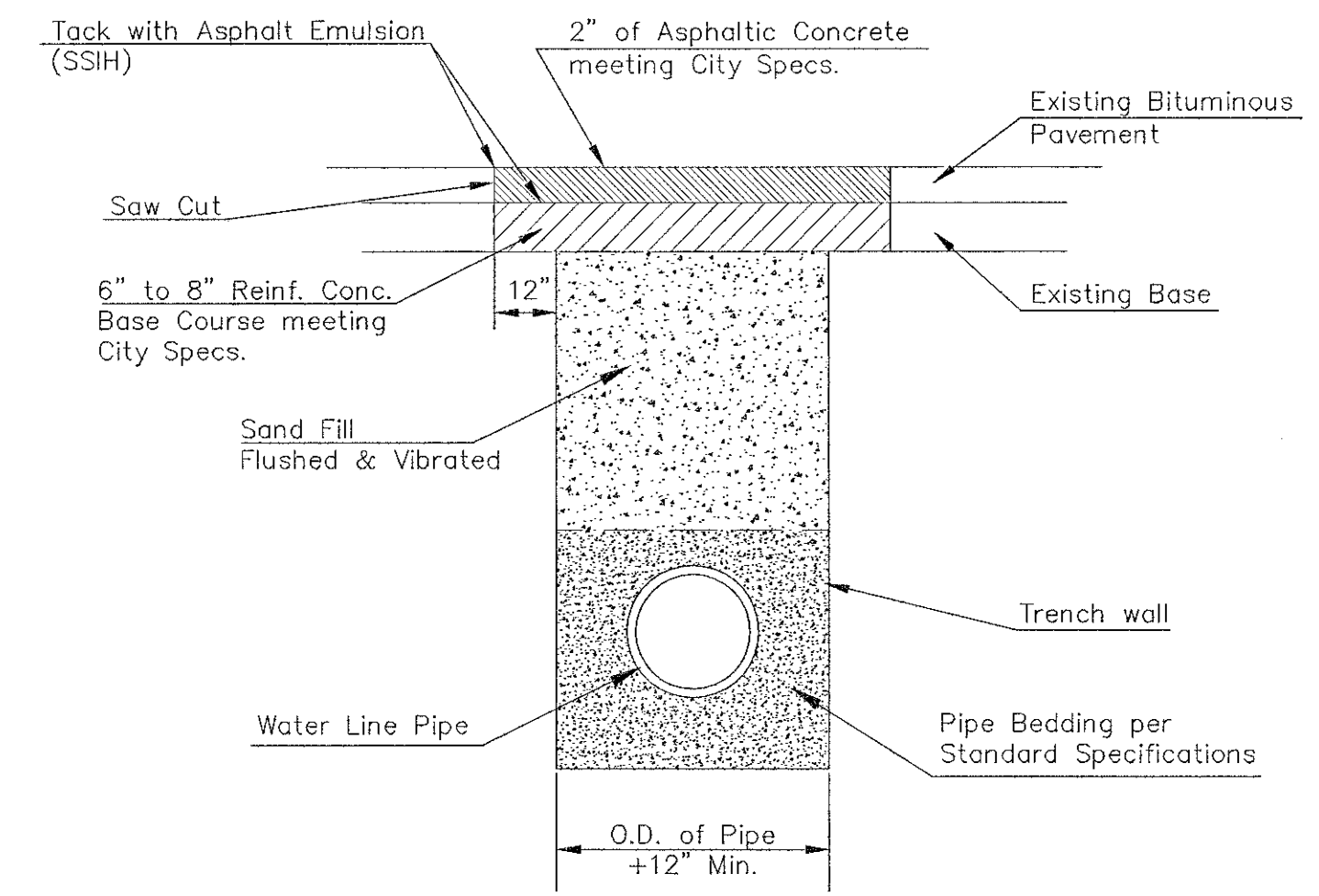
\* PLANS GOVERN UNLESS OTHERWISE NOTED ON PLANS



Note: When shoring is required it is to be per The City of Wichita Standard Specifications.

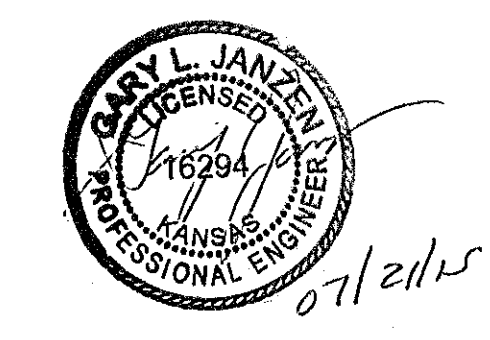


EXCAVATION FOR WET TAP



PAVEMENT REPLACEMENT & TRENCH COMPACTION UNDER EXISTING AND PROPOSED CITY ROADS

REVISED: JULY 2015



<p>CITY OF WICHITA PUBLIC WORKS &amp; UTILITIES ENGINEERING DIVISION</p>	<p>MISCELLANEOUS WATER DETAILS</p> <p>CITY ENGINEER <b>GARY JANZEN, P.E.</b></p>		
	PROJECT NUMBER	OCA NUMBER	DATE <b>7/2015</b>
	CITY ENGINEER'S OFFICE CITY HALL - SEVENTH FLOOR 455 NORTH MAIN STREET WICHITA, KANSAS 67202-1620 (316) 268-4501		SHEET <b>3 of 18</b>