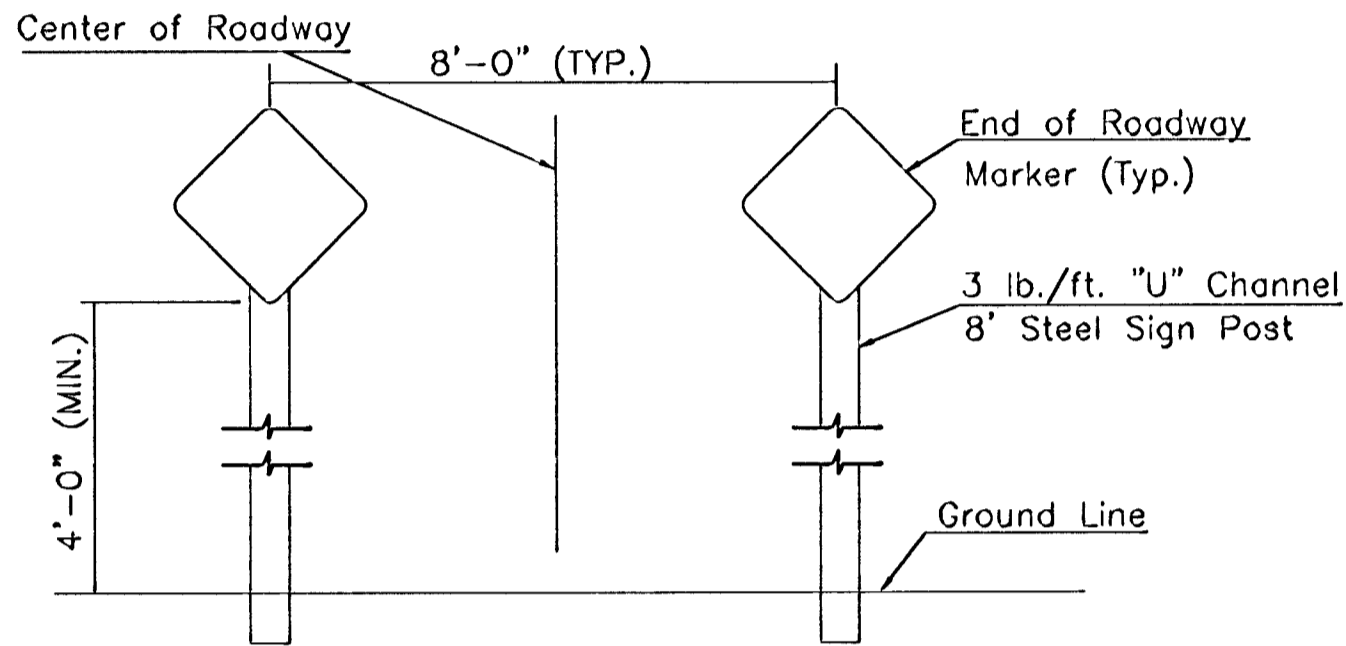
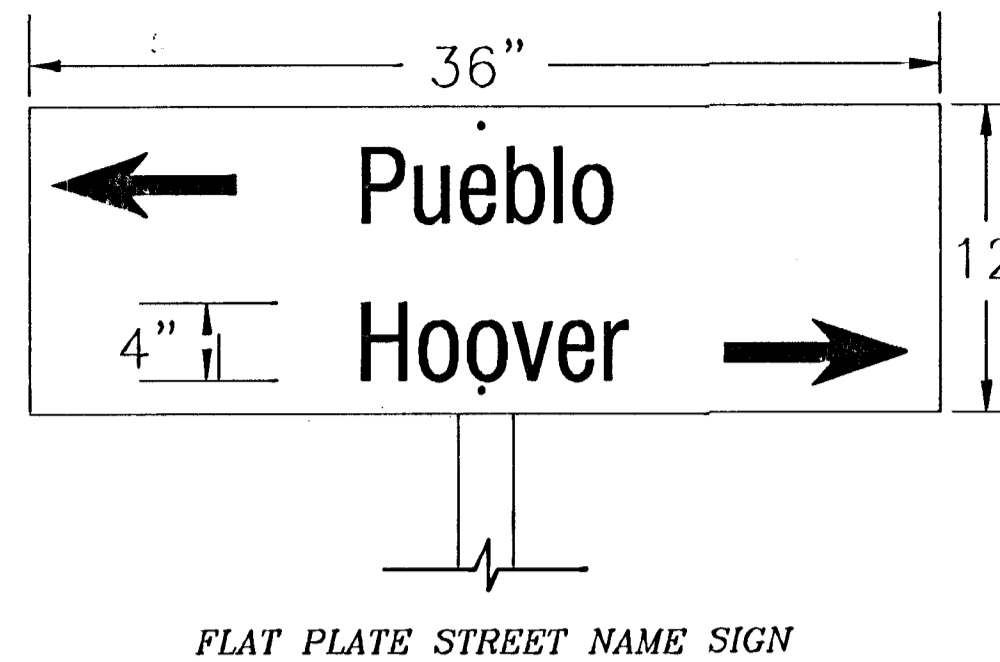
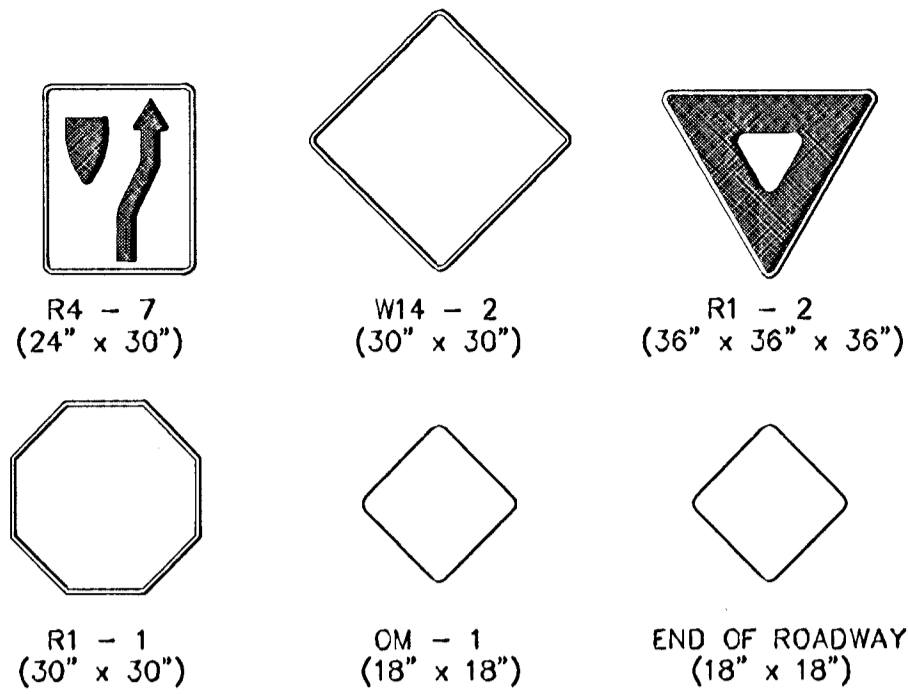
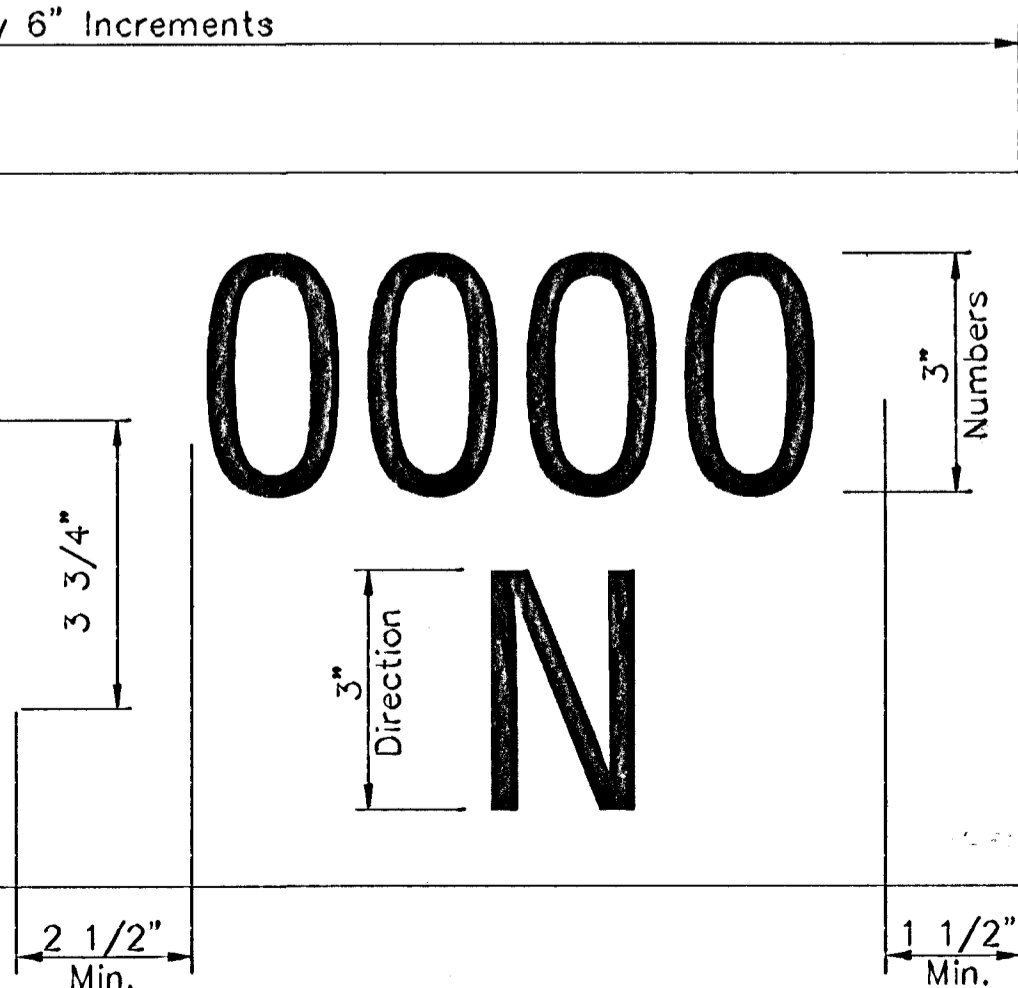
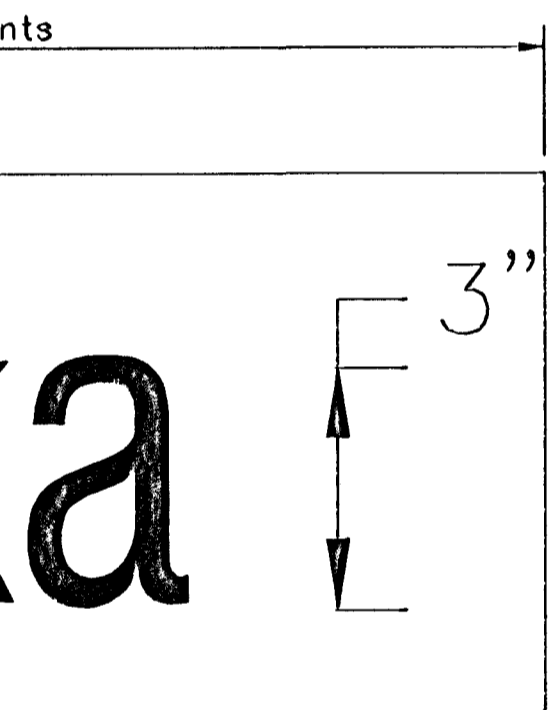
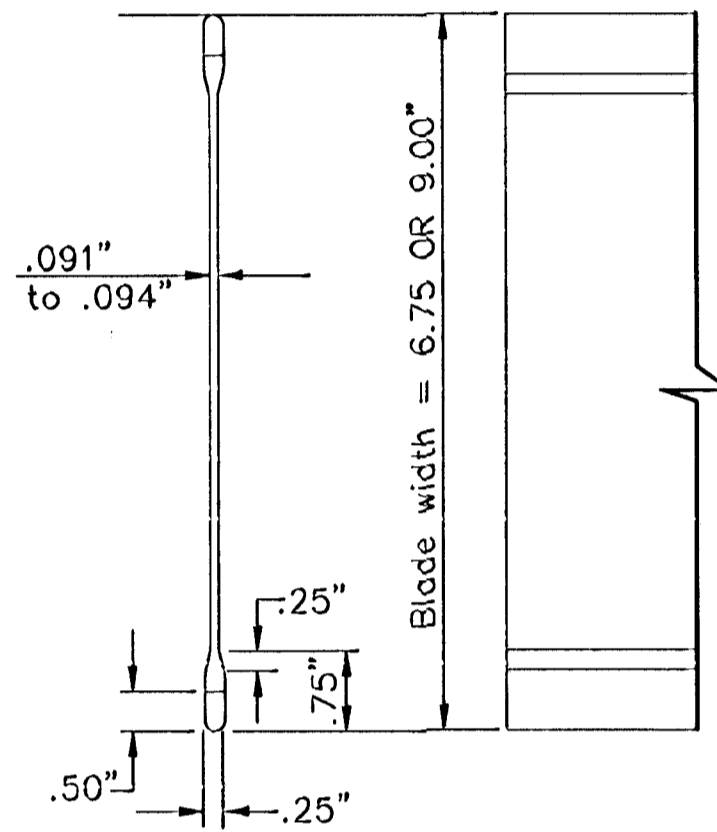


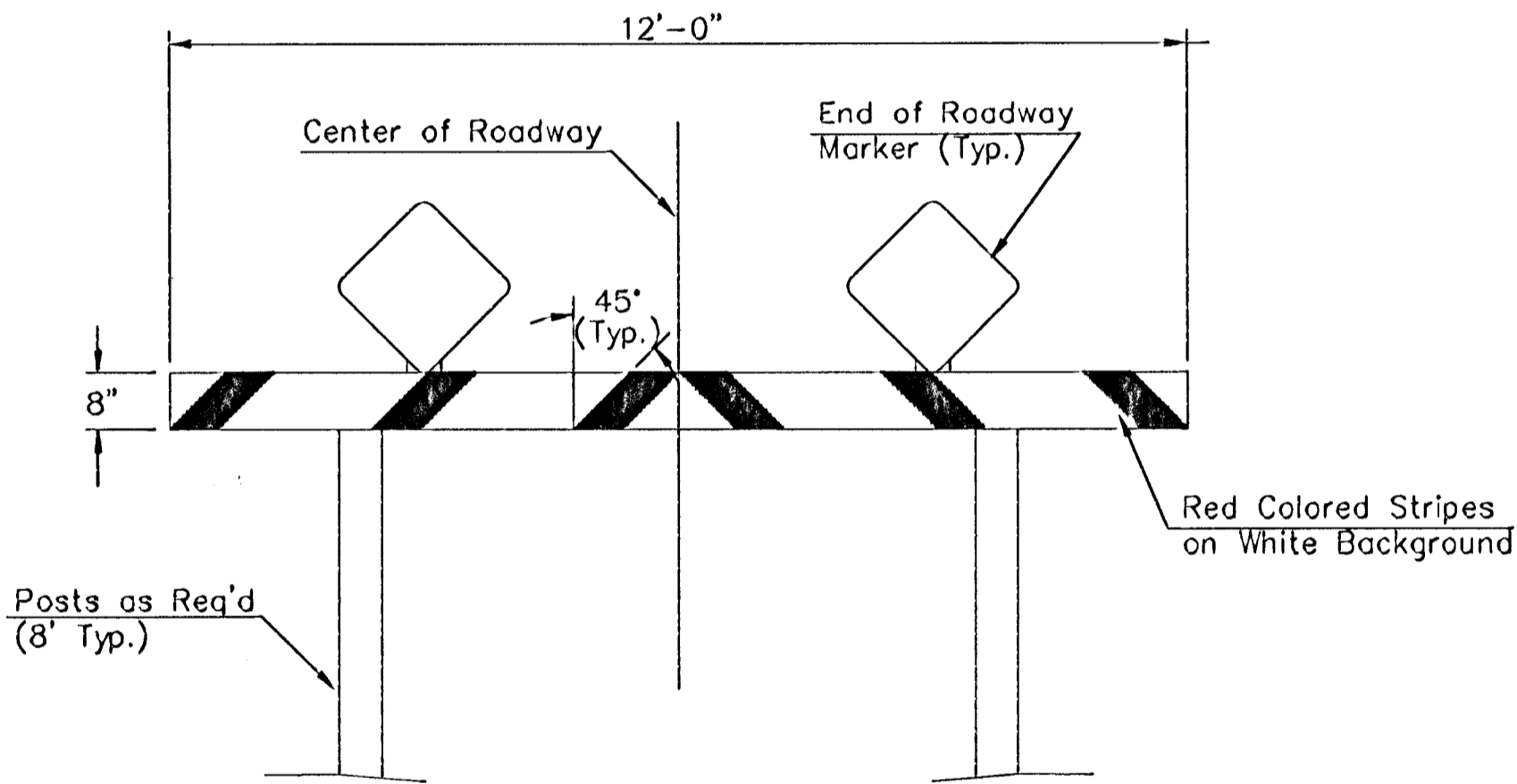
**MOUNTING INSTALLATION**  
**SECTION**



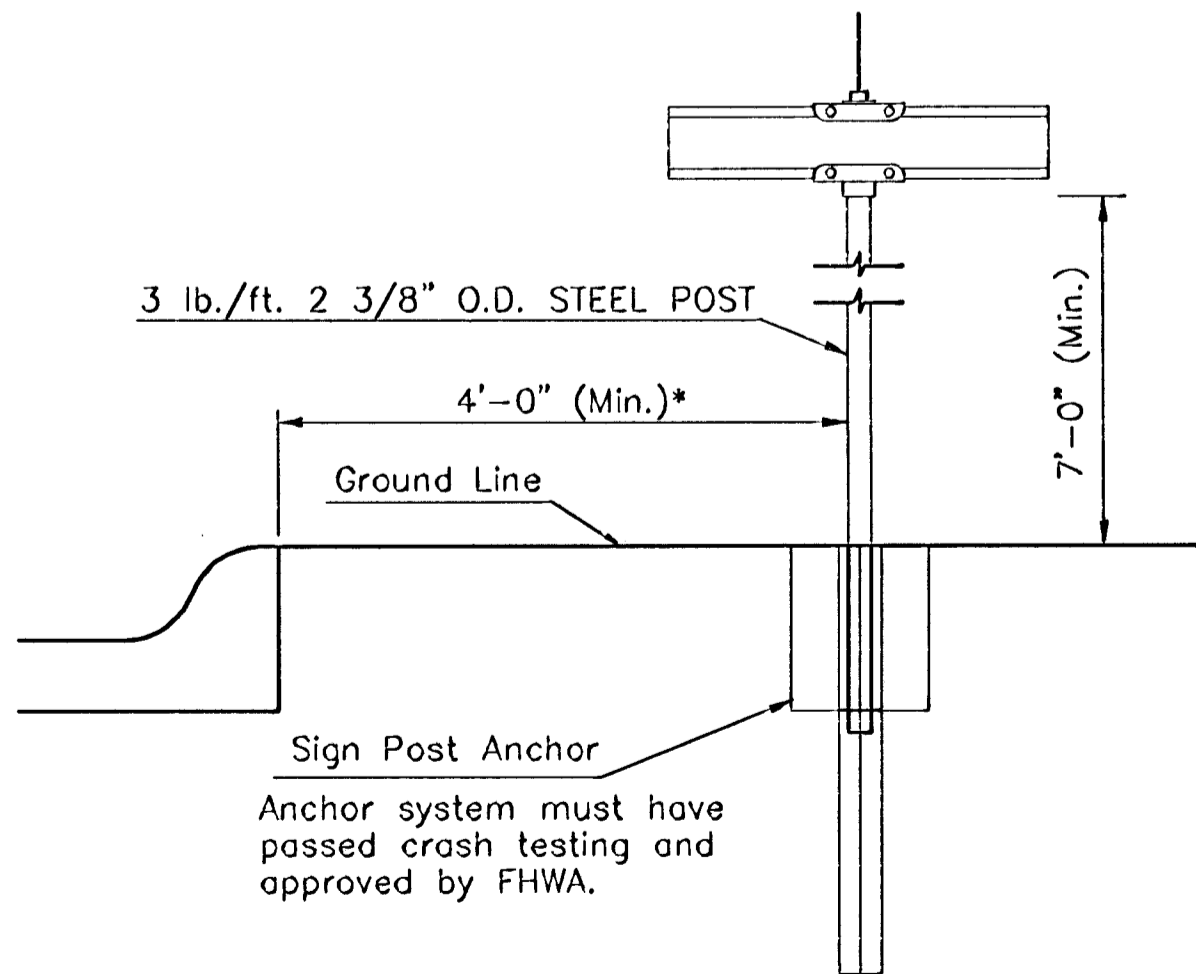
**TYPICAL END OF ROADWAY SIGN MOUNTING INSTALLATION**



**STREET NAME SIGN**  
**BLADE DETAILS**



**TYPE I BARRICADE DETAIL W/ E.O.R. MARKERS**



**TYPICAL STREET NAME SIGN MOUNTING INSTALLATION**  
**CURB AND GUTTER SECTION**

<b>SIGN ASSEMBLY TABLE</b>			
STREET	STATION	OFFSET	SIGN
Meadow Park	0+40.00	42' Rt.	SNS
Meadow Park	0+50.00	34' Lt.	R1-1
Meadow Park	0+54.00	1' Lt.	OM-1 & R4-7
Meadow Park	0+86.00	1' Lt.	OM-1 & R4-7
Meadow Park	5+89.00	23' Rt.	SNS
Meadow Park	6+47.00	36' Rt.	R1-1
Meadow Park	9+14.00	23' Rt.	SNS
Meadow Park	12+73.21	40' Rt.	EOR
Pepper Ridge	14+45.00	32' Lt.	SNS
Pepper Ridge	17+18.00	24' Rt.	SNS
Pepper Ridge	17+79.00	31' Lt.	SNS
Pepper Ridge	19+01.67	1' Lt.	OM-1 & R4-7
Pepper Ridge	19+33.67	1' Lt.	OM-1 & R4-7
Pepper Ridge	19+37.67	33' Rt.	R1-1
Pepper Ridge	19+46.00	37' Lt.	SNS
TOTAL			

\* FOR INFORMATION ONLY

STREET NAME	NO. BLADES
Tyler Rd (2800 N)	6 3/4" STD.
Meadow Park (8700 W)	
Meadow Park	2
Pepper Ridge	4
Meadow Park Ct (8501-8529)	
Pepper Ridge Ct (2907-2931)	
Pepper Ridge Ct (2935-2963)	
Pepper Ridge Ct (2924-2950)	
29th St N (8500 W)	
Pepper Ridge (2900 N)	