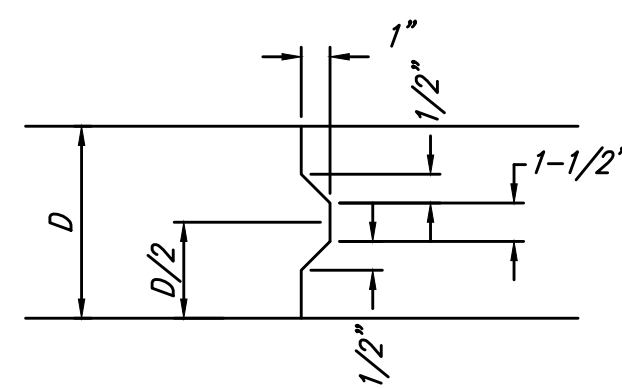
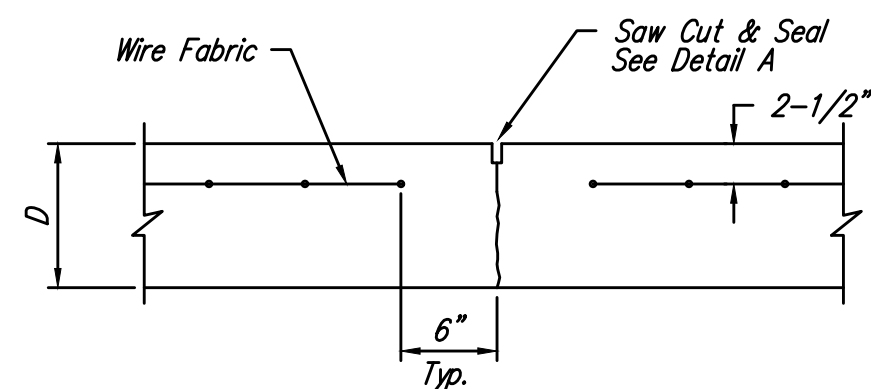


EXPANSION JOINT

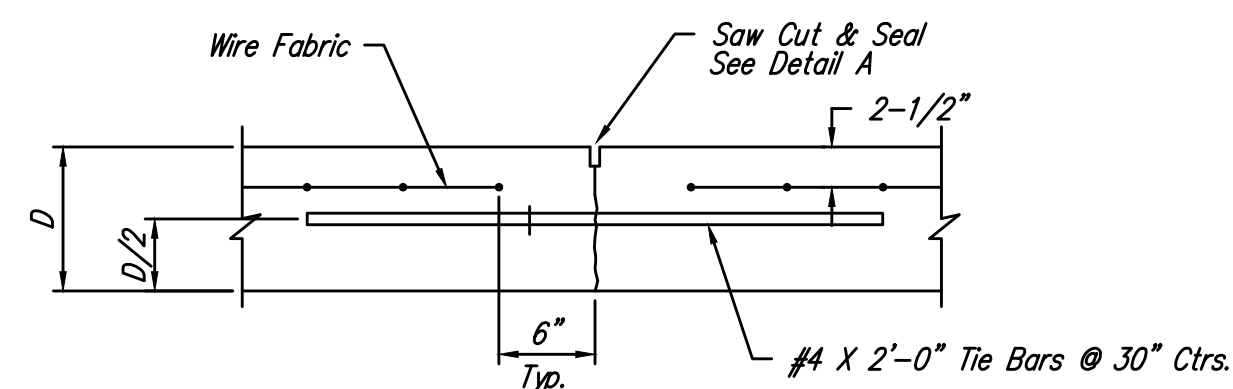
NOTE: Extra Thickness to be Subsidiary to Price of Square Yards Pavement



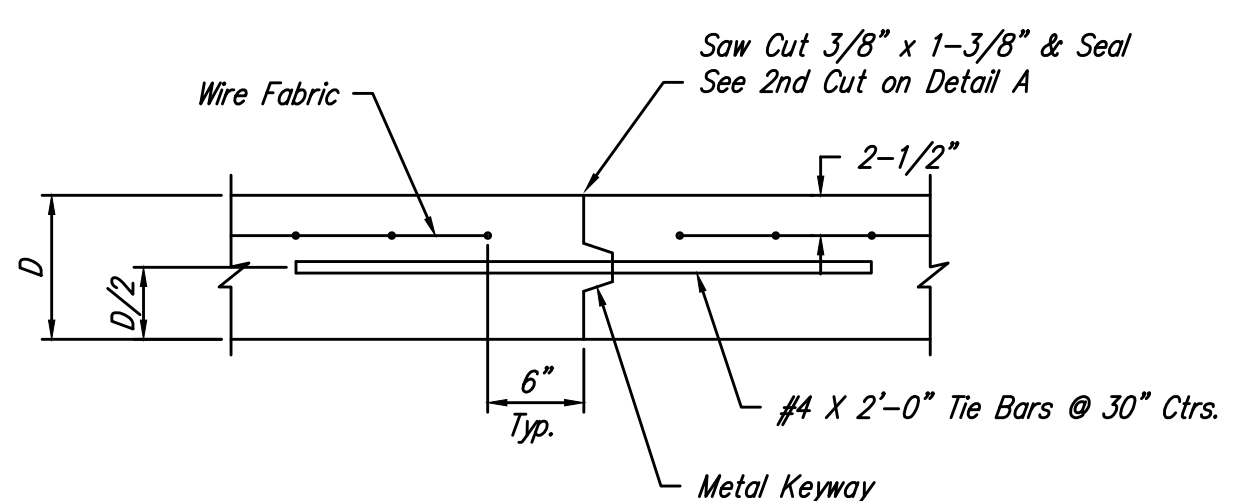
KEYWAY DETAIL



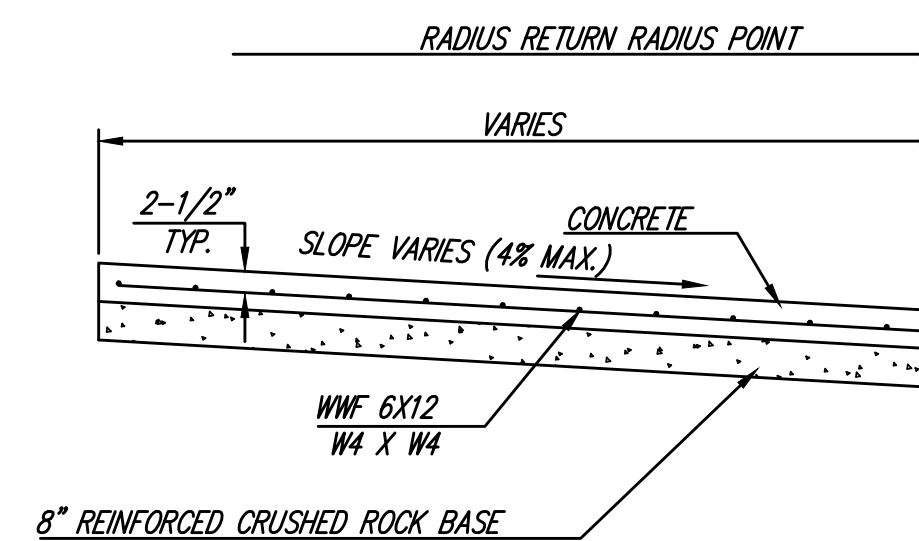
CONTRACTION JOINT DETAIL (C.J.)



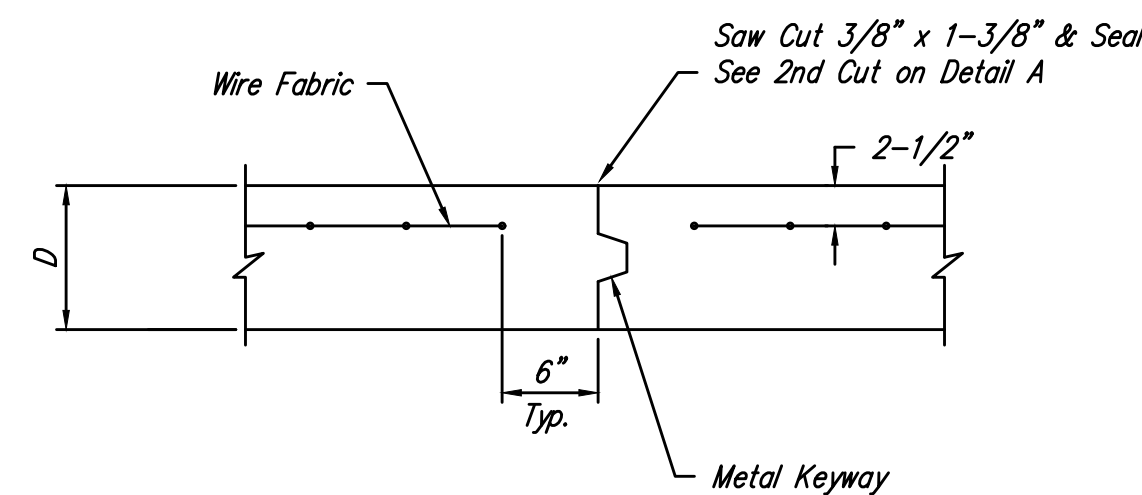
LONGITUDINAL JOINT DETAIL (L.J.)



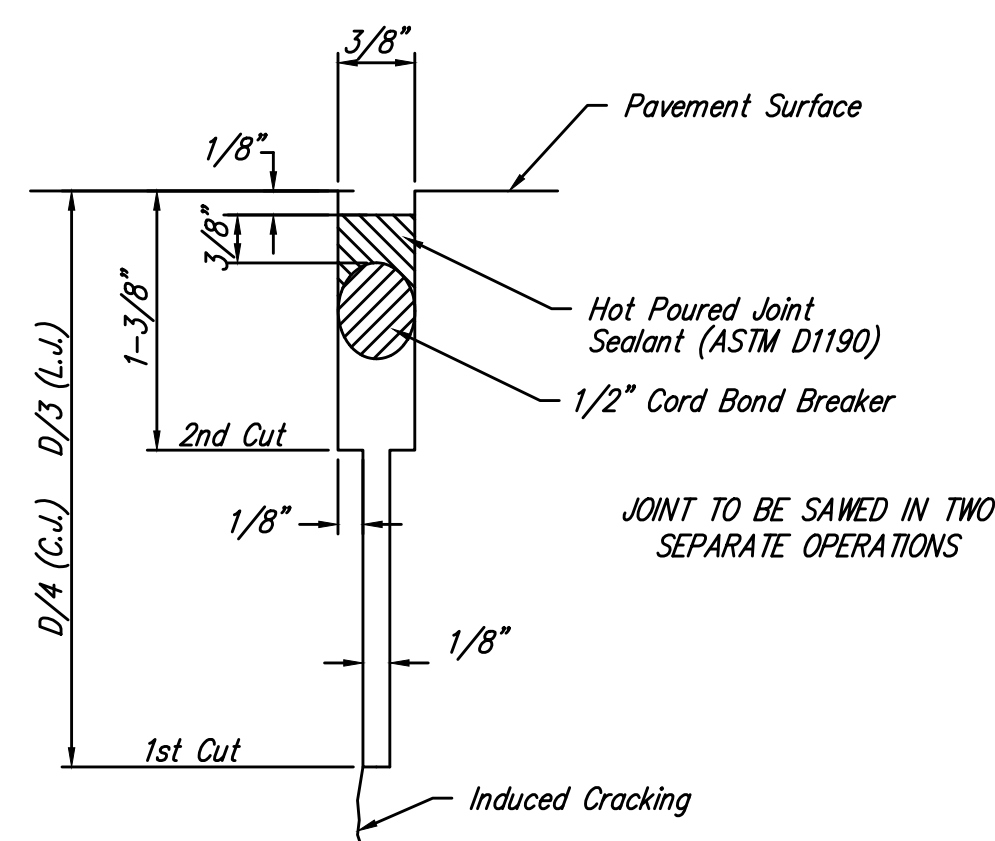
OPTIONAL LONGITUDINAL JOINT DETAIL (L.J.)



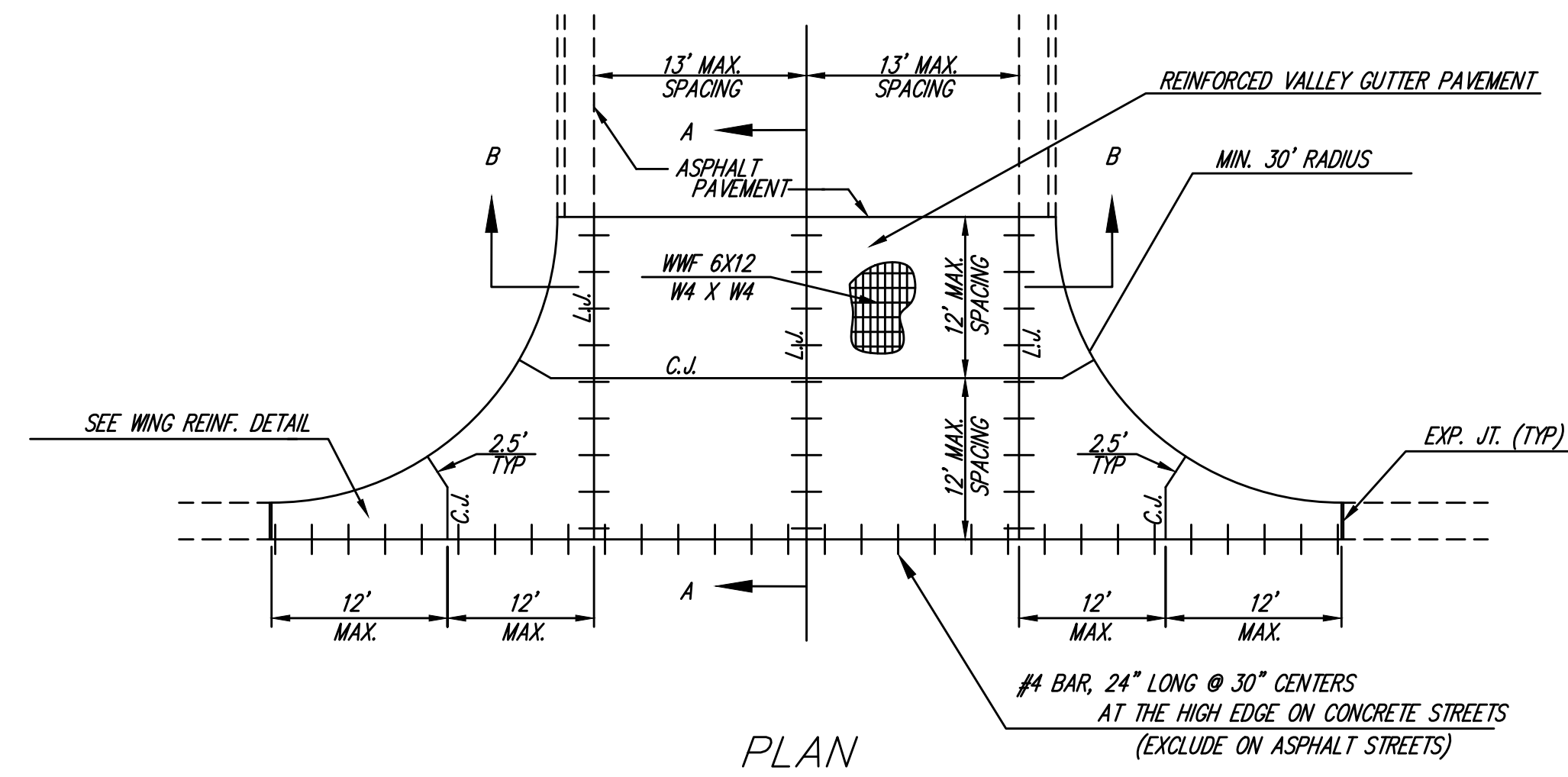
SECTION A-A



OPTIONAL CONTRACTION JOINT



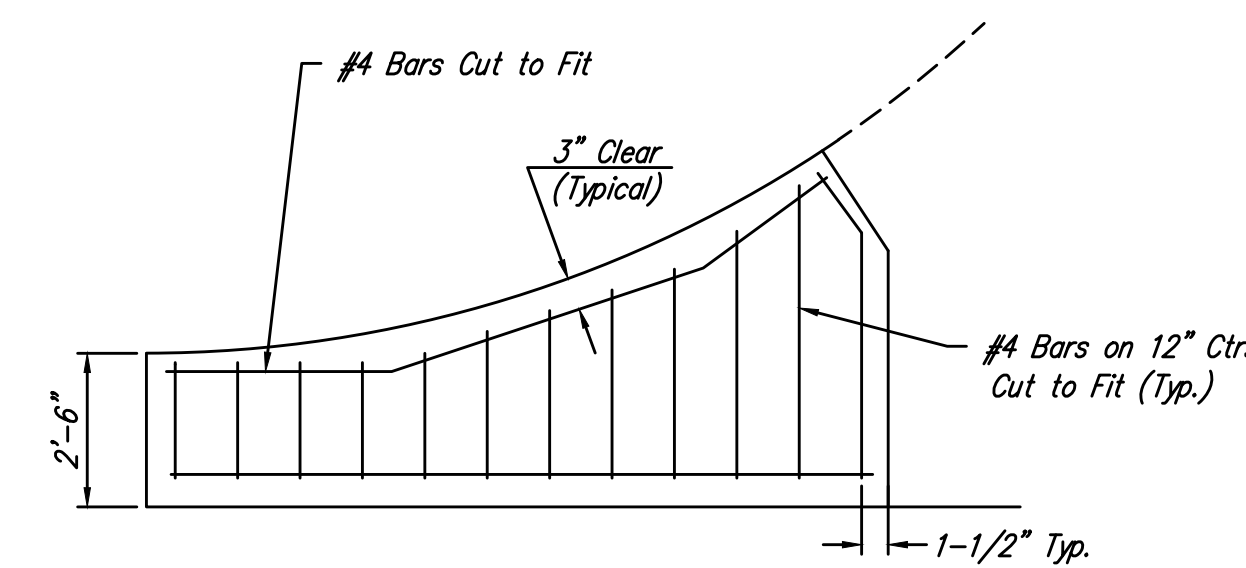
SAW JOINT DETAIL (DETAIL A)



PLAN



SECTION B-B



WING REINFORCING DETAIL

	No.	Revision	By	Date	
	CADILLAC LAKE PHASE 1 MAIZE ROAD TURNING LANES PAVEMENT JOINTING DETAILS GARY JANZEN, P.E. - CITY ENGINEER CITY OF WICHITA PROJECT NO. 472-85237				
	PROFESSIONAL ENGINEERING CONSULTANTS, P.A. 303 SOUTH TOPEKA WICHITA, KS 67202 316-262-2691 www.pec1.com				
	Designed by	BMM	Job No.	35-15138-004	Sht.
Drawn by	BJS	Date	April 2017		

Sowed 04-03-2017 5:05:44 PM by BJS
 Plot Scale 1:1 04-13-2017 7:55:01 AM by BJS
 U:\Wichita-Civil\2015\15138\004\Drawings\15138-004-09c-PAVEMENT JOINTING DETAILS