

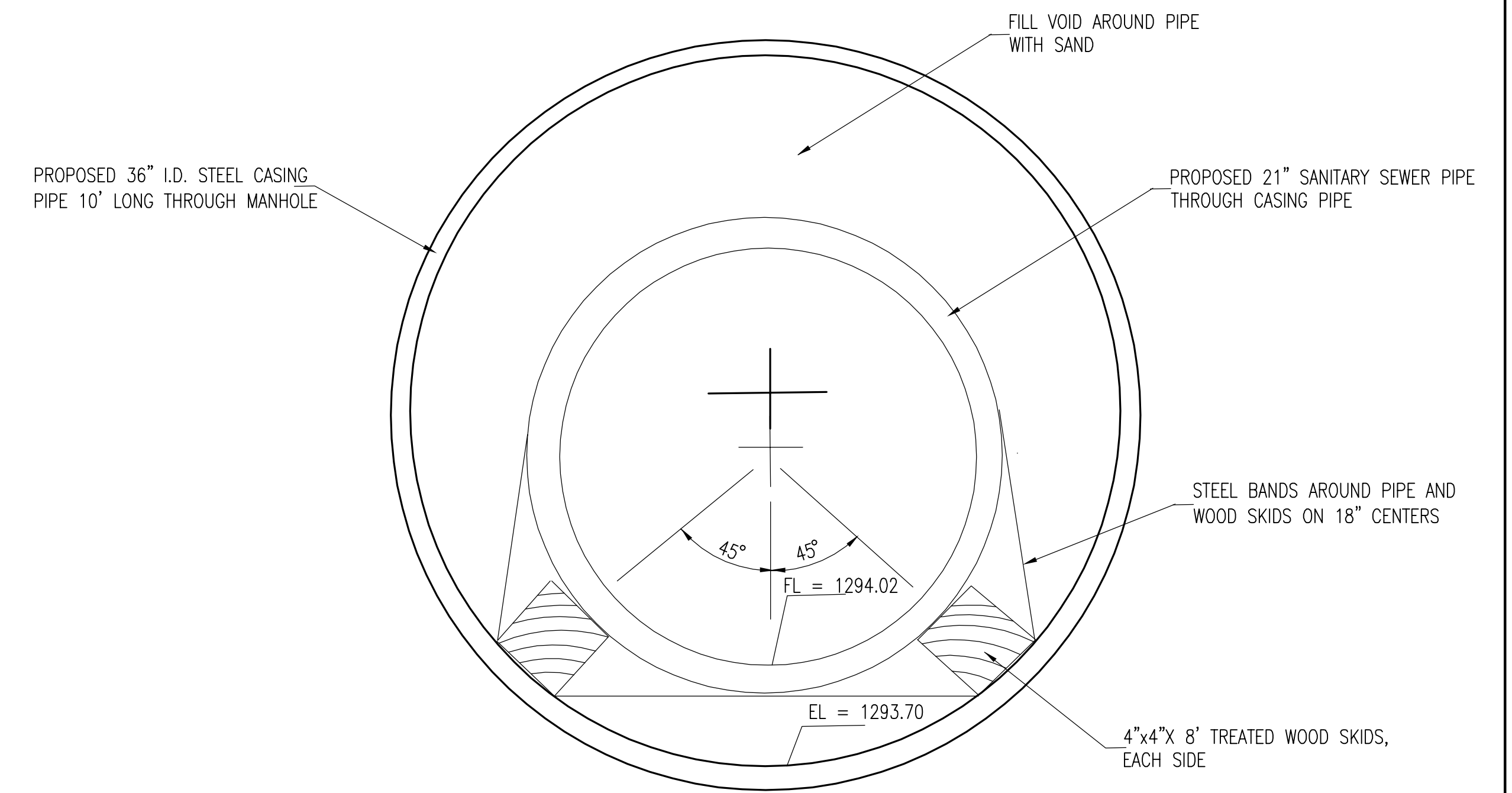
**GENERAL NOTES**

1. MANHOLE FRAME CASTING TO BE INSTALLED ON THIN MORTAR CUSHION TO INSURE FULL SUPPORT. CONCRETE USED FOR INLET CONSTRUCTION SHALL CONFORM TO CITY OF WICHITA SPECIFICATIONS FOR CONCRETE PAVEMENT MIX.
2. INLET INVERT SHALL BE SHAPED WITH 8 SACK SAND MIX CONCRETE TO CREATE FLOW CHANNELS AND TO INCREASE HYDRAULIC EFFICIENCY SUCH THAT THE INLET WILL BE SELF-CLEANING BETWEEN ALL INLET AND/OR OUTLET PIPES.
3. THE ENDS OF ALL PIPES INSTALLED IN INLETS SHALL BE CUT OFF FLUSH WITH THE INSIDE FACE OF THE INLET WALL.
4. MANHOLE COVER CASTING AND MANHOLE FRAME CASTING SHALL CONFORM TO THE REQUIREMENTS AS INDICATED IN THE STANDARD SPECIFICATIONS AND AS SHOWN IN THE STANDARD DETAIL DRAWING.
5. CONTRACTOR SHALL REMOVE LIFTING HOOKS AFTER INSTALLATION. RECESSES IN MANHOLE WALL SHALL BE GROUTED FLUSH TO THE MANHOLE WALL WITH HYDRAULIC CEMENT AFTER THE MANHOLE IS IN PLACE. LIFTING HOLES THRU THE MANHOLE WALL WILL NOT BE ACCEPTED.

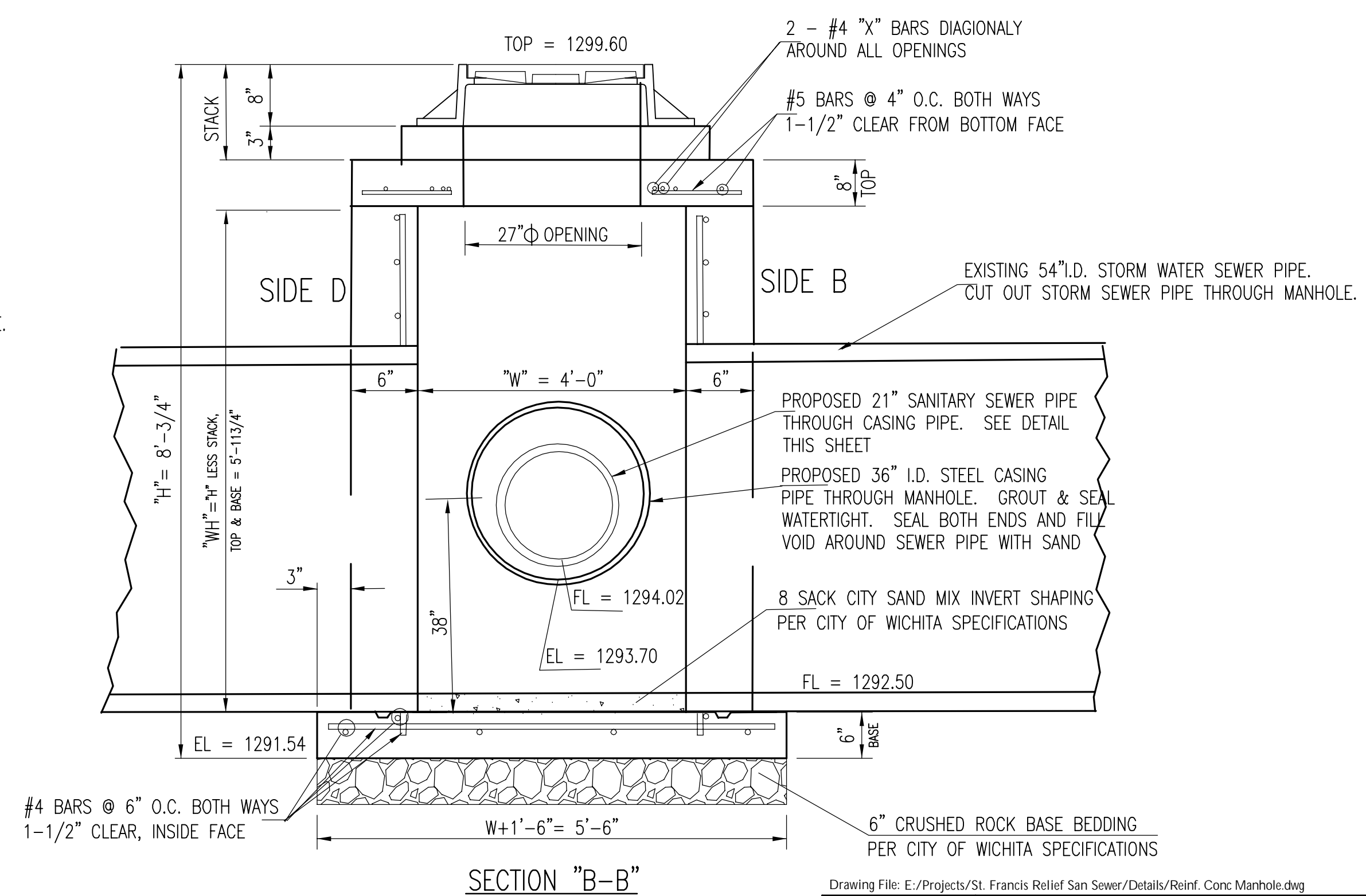
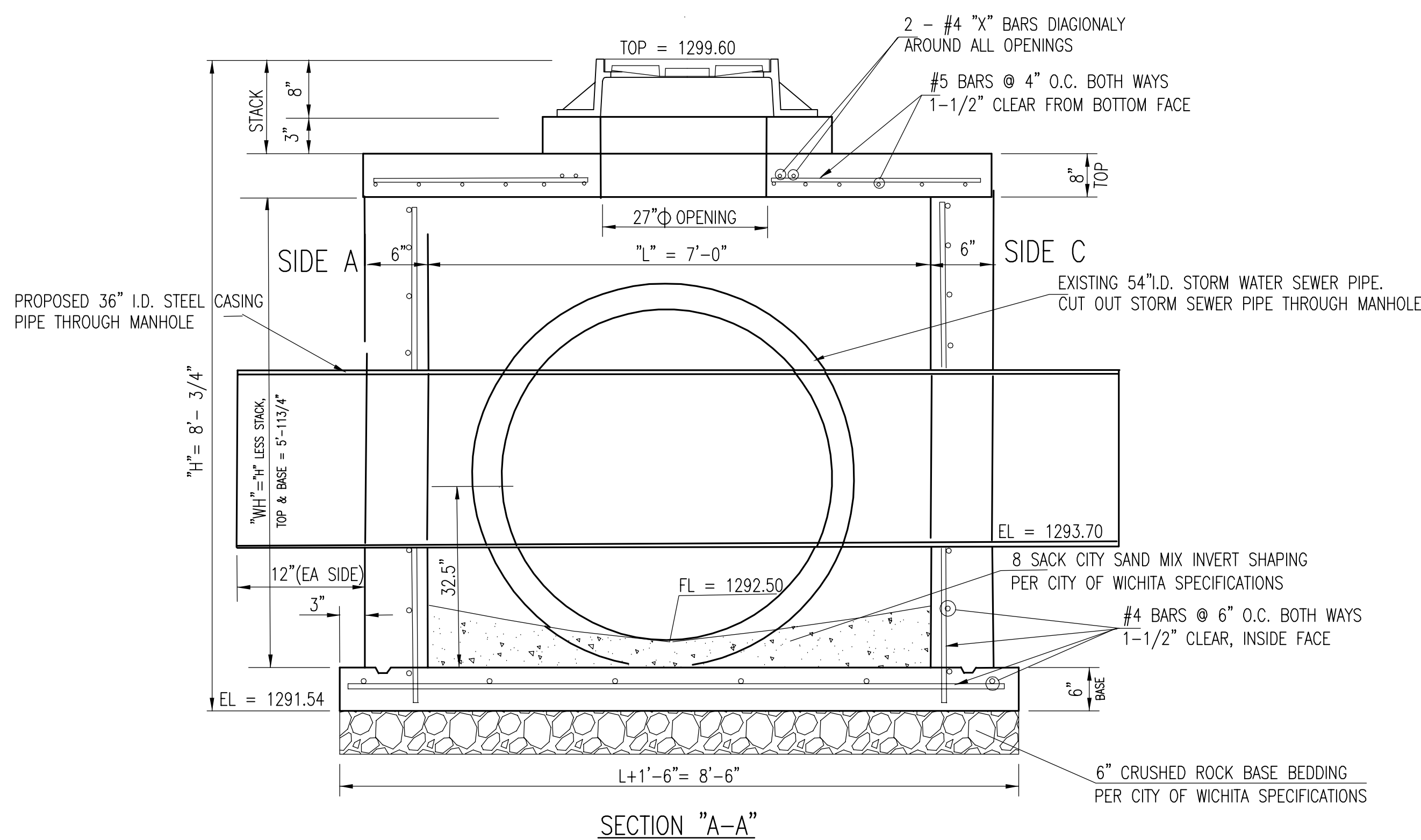
**NOTE:**

CONSTRUCT "DOG-HOUSE" TYPE MANHOLE OVER EXISTING 54" SWS PIPE (E-W) AND REMOVE 54" SWS PIPE THROUGH MANHOLE. PASS PROPOSED 21" SS PIPE THROUGH MANHOLE (N-S) IN A 36" STEEL CASING PIPE. GROUT AND SEAL ALL PIPE OPENINGS WATERTIGHT. ALL COSTS FOR THE MANHOLE CONSTRUCTION, INCLUDING THE CASING PIPE, WOOD SKIDS AND SAND FILL, SHALL BE PAID FOR AS THE BID ITEM "MH, REINFORCED CONCRETE (7'X4'), SWS, SPECIAL".

THE CONTRACTOR SHALL ALSO SAW AND REMOVE THE EX. 18" STEEL SS PIPE AND PLUG THE EX. SEWER (N & S) IN THE EX. SWS MANHOLE 26' EAST OF THIS MANHOLE.



NOTE: ADJUST STEEL CASING PIPE AND/OR WOOD SKIDS TO INSURE THE FLOWLINE OF THE SEWER PIPE IS PER PLAN. ADJUST SEWER PIPE JOINTS SUCH THAT THERE IS NO JOINT WITHIN THE 10 FT LENGTH OF THE STEEL CASING PIPE.



Drawing File: E:/Projects/St. Francis Relief San Sewer/Details/Reinf. Conc. Manhole.dwg

Design: KK  
 Drawn: JDM  
 Approved: TPV  
 Scale: None

Project No. 1309E969 CAPITAL IMPROVEMENT PROJECT  
**REINFORCED CONCRETE MANHOLE & CASING PIPE DETAILS**  
 ST. FRANCIS RELIEF SANITARY SEWER - PHASE 1

**Baughman Company, P.A.**  
 315 Ellis St. Wichita, KS 67211 P 316-262-7271 F 316-262-0149  
 ENGINEERING | SURVEYING | PLANNING | LANDSCAPE ARCHITECTURE

December 2016  
 SHEET 10 OF 26