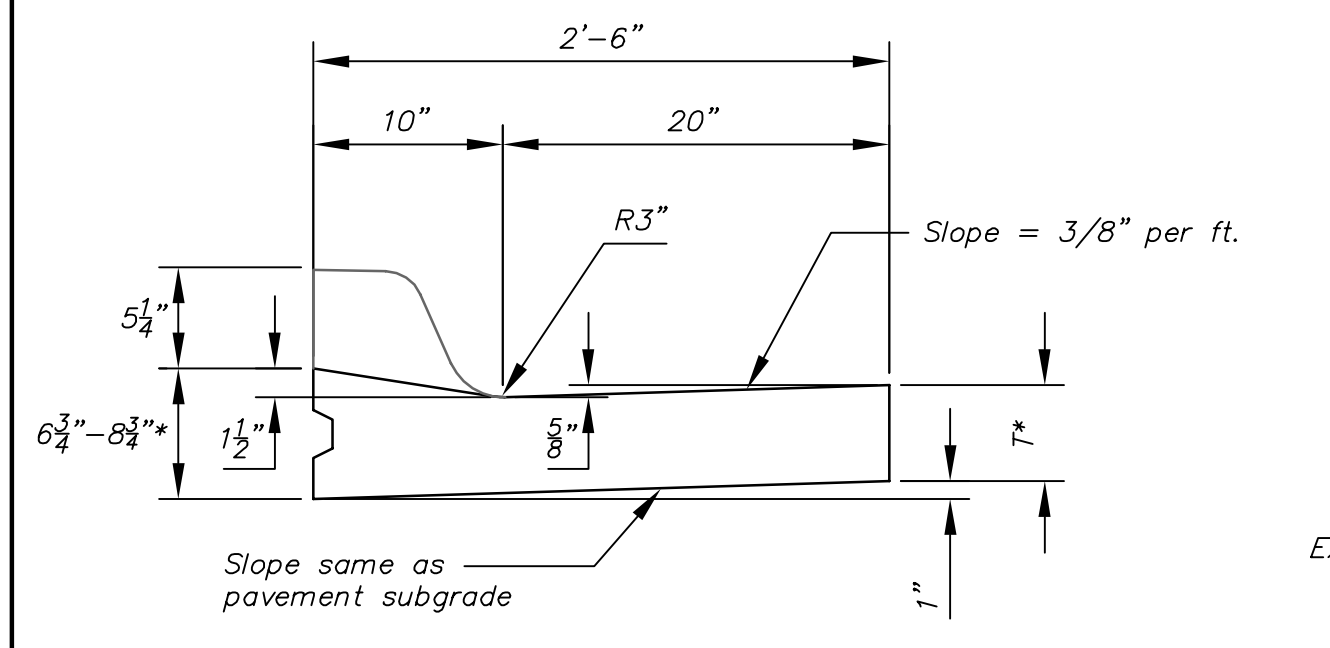
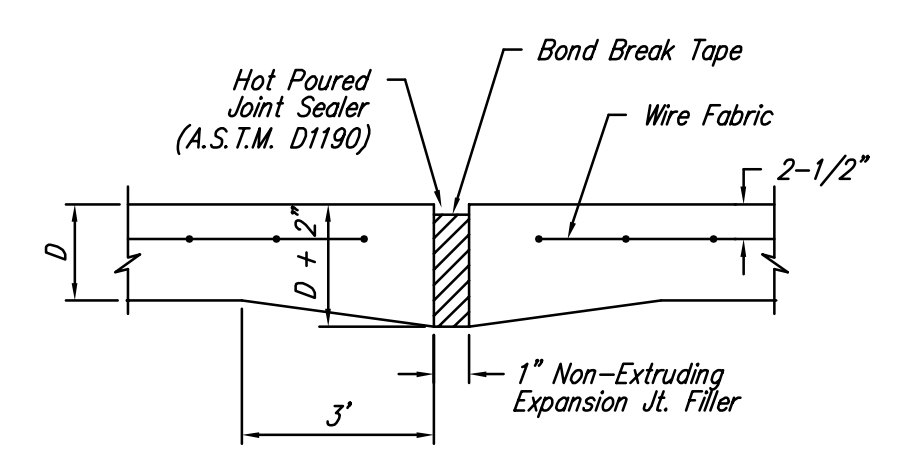


Combined Curb & Gutter (6 5/8")

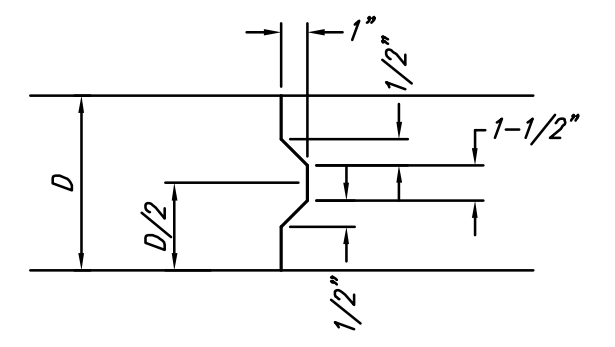


Combined Curb & Gutter (1 1/2")

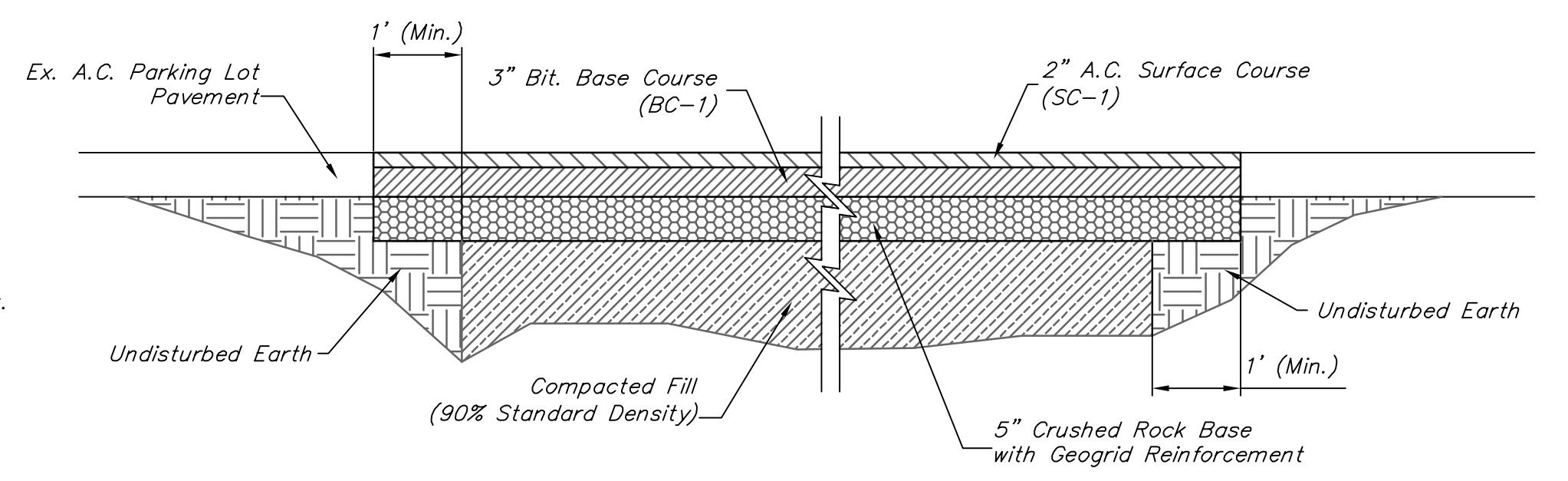


EXPANSION JOINT

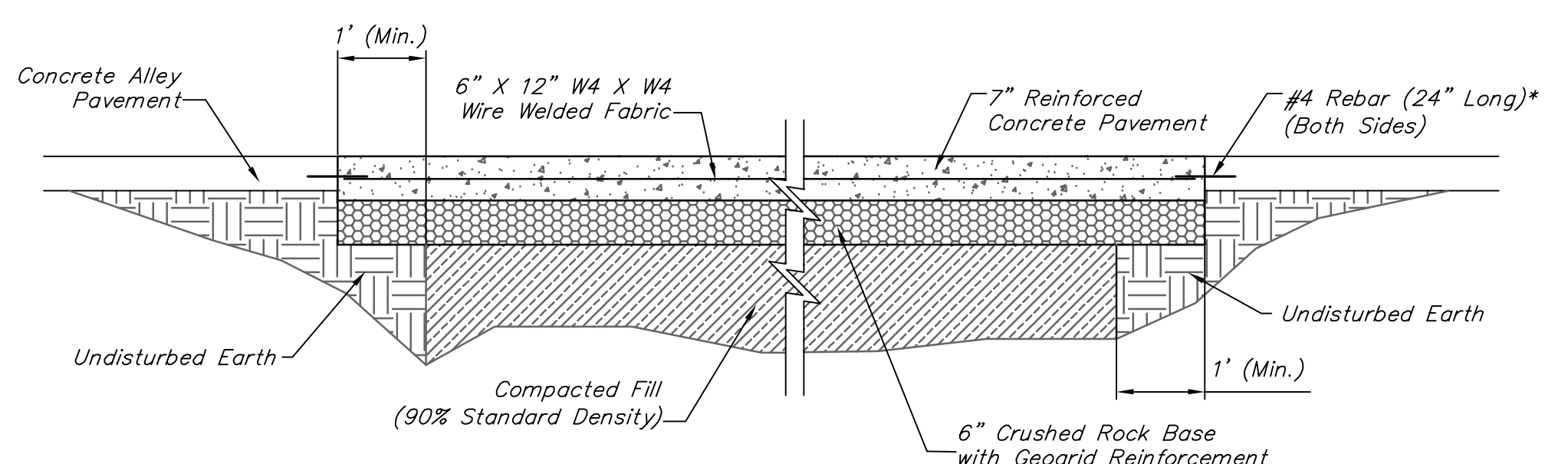
NOTE: Extra Thickness to be Subsidiary to Price of Square Yards Pavement



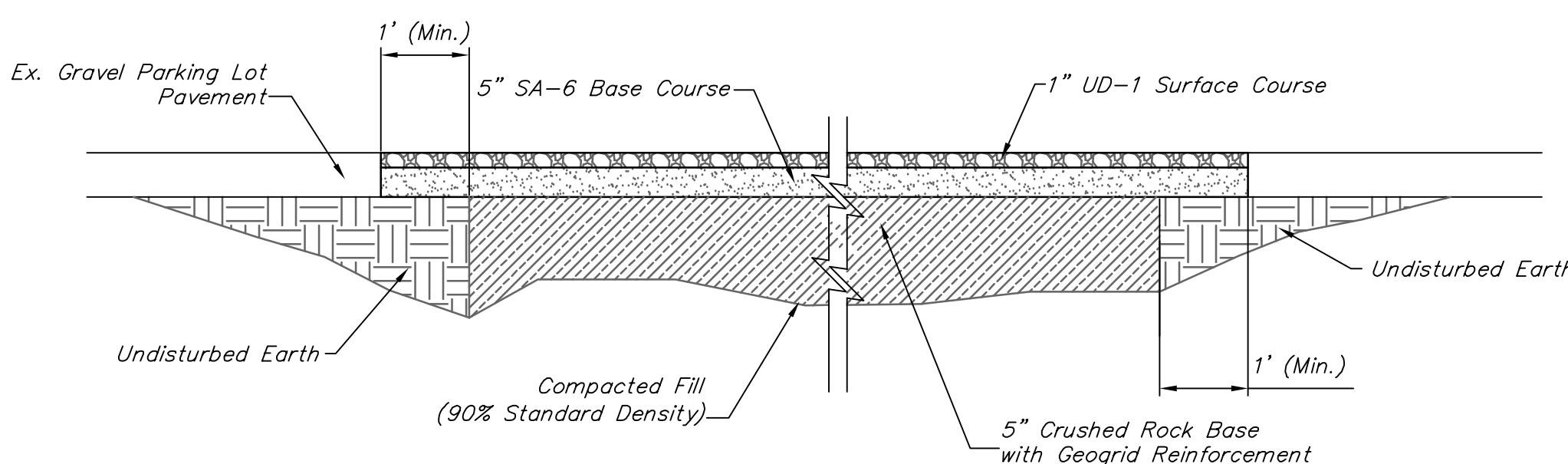
KEYWAY DETAIL



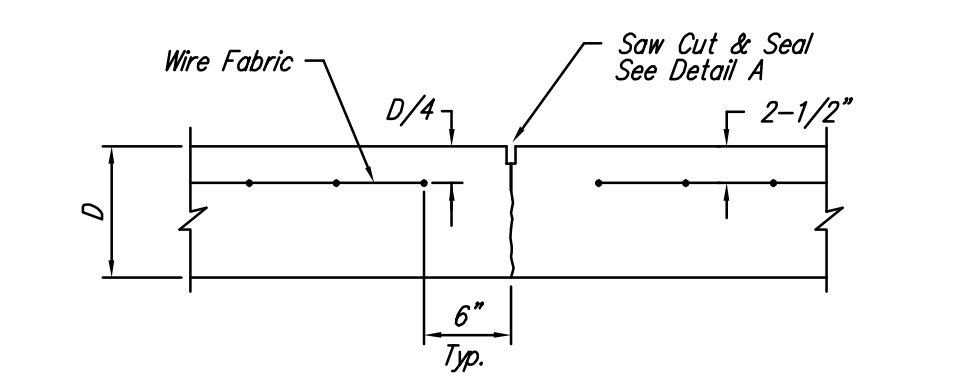
A.C. PARKING LOT TYPICAL SECTION



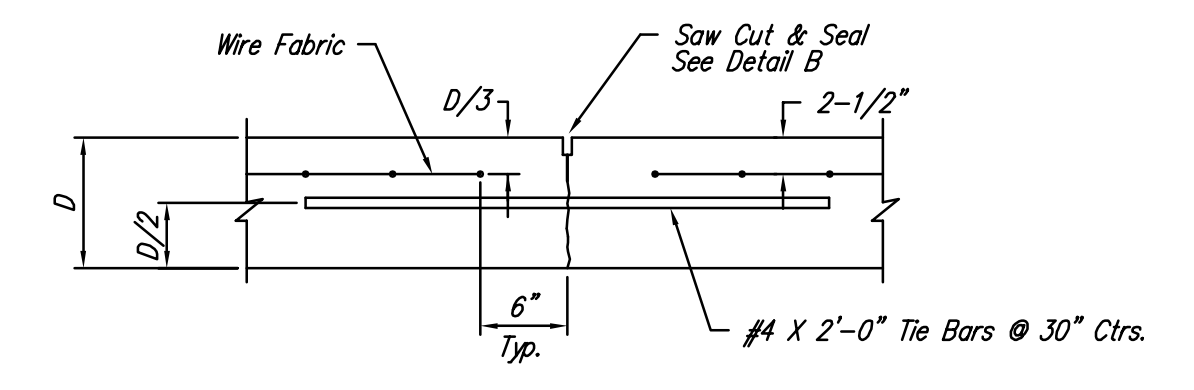
REINF. CONCRETE ALLEY TYPICAL SECTION



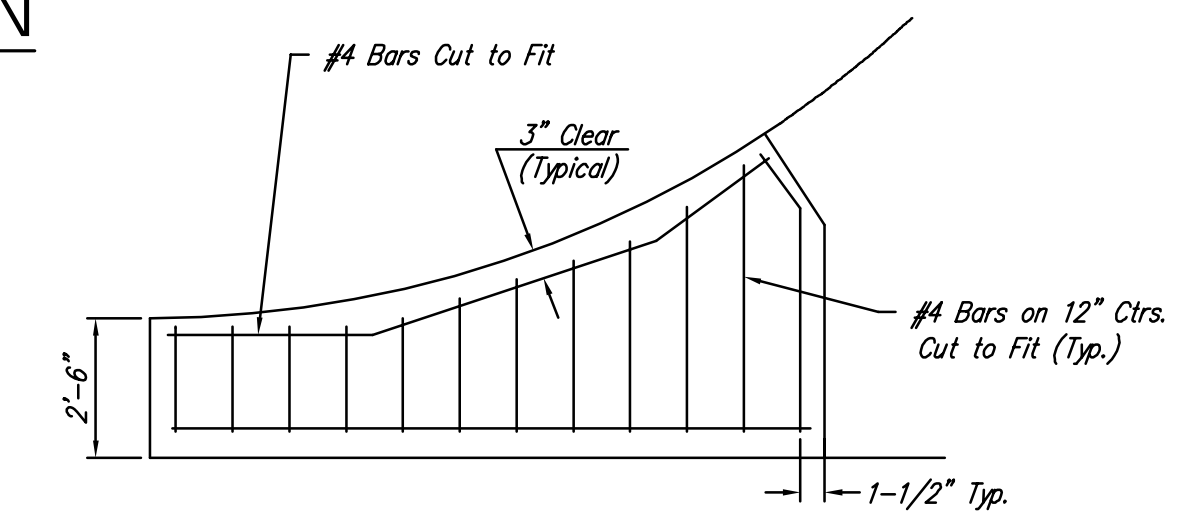
GRAVEL PARKING LOT TYPICAL SECTION



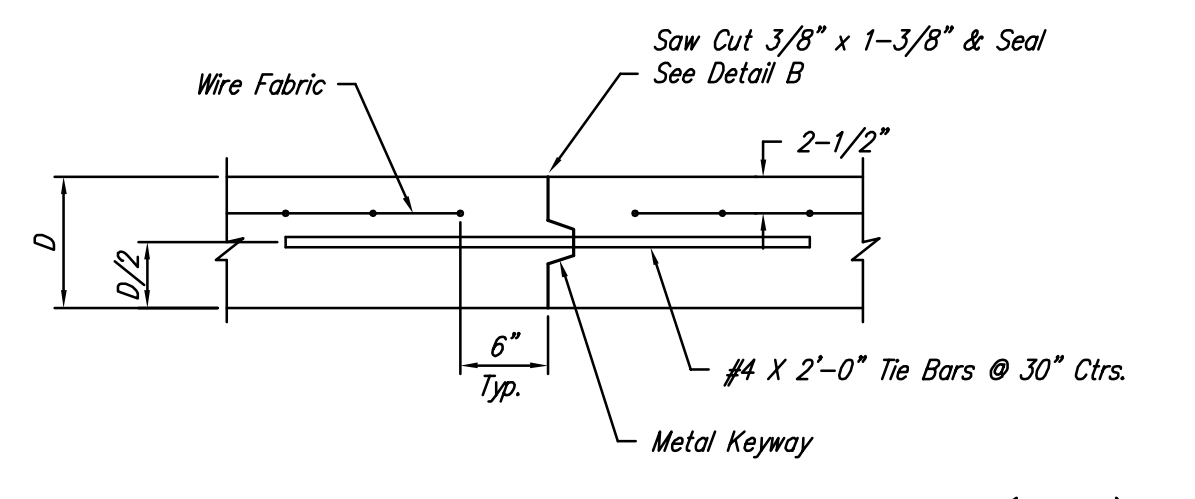
CONTRACTION JOINT DETAIL (C.J.)



LONGITUDINAL JOINT DETAIL (L.J.)

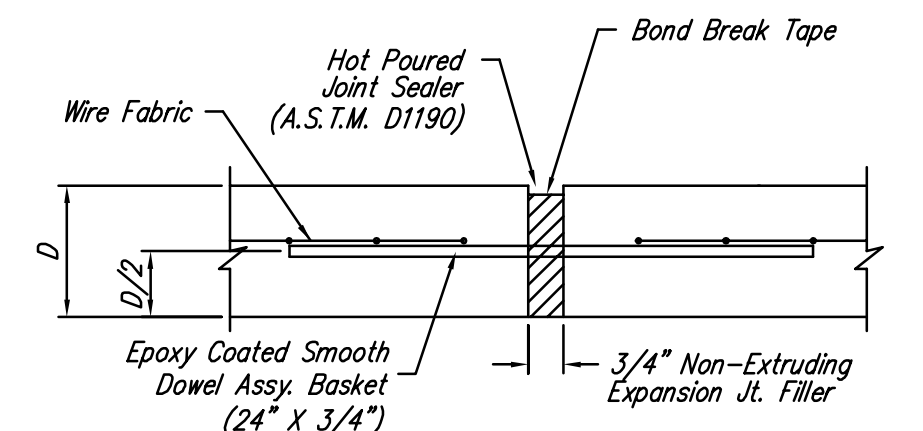


WING REINFORCING DETAIL

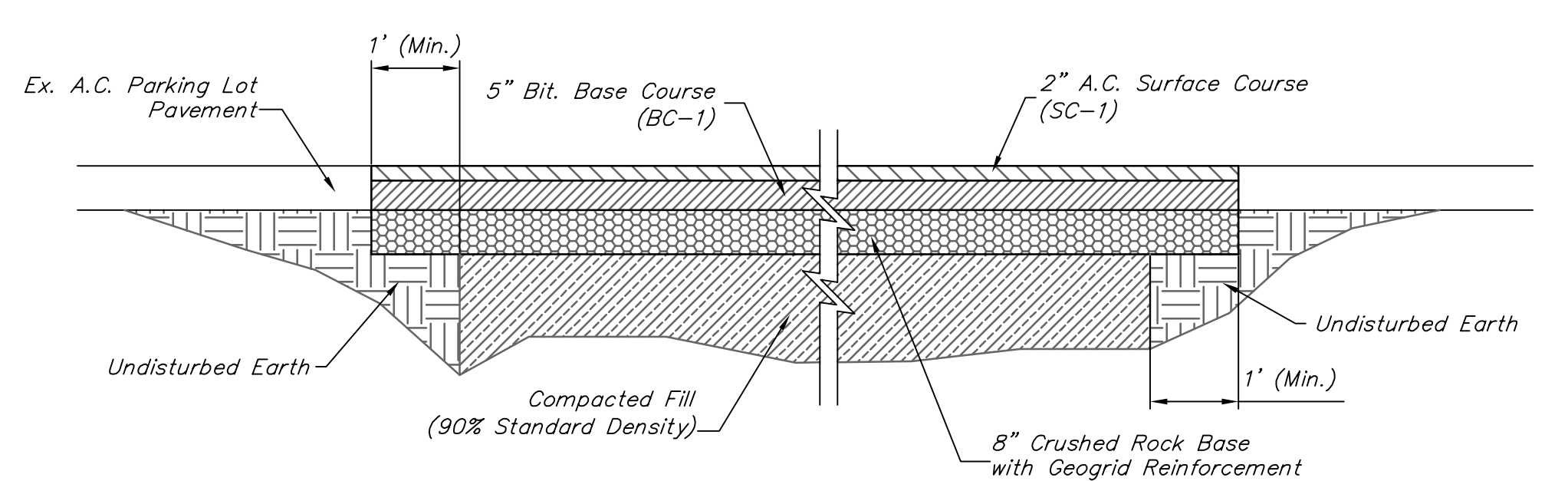


OPTIONAL LONGITUDINAL JOINT DETAIL (L.J.) (CONSTRUCTION JOINT)

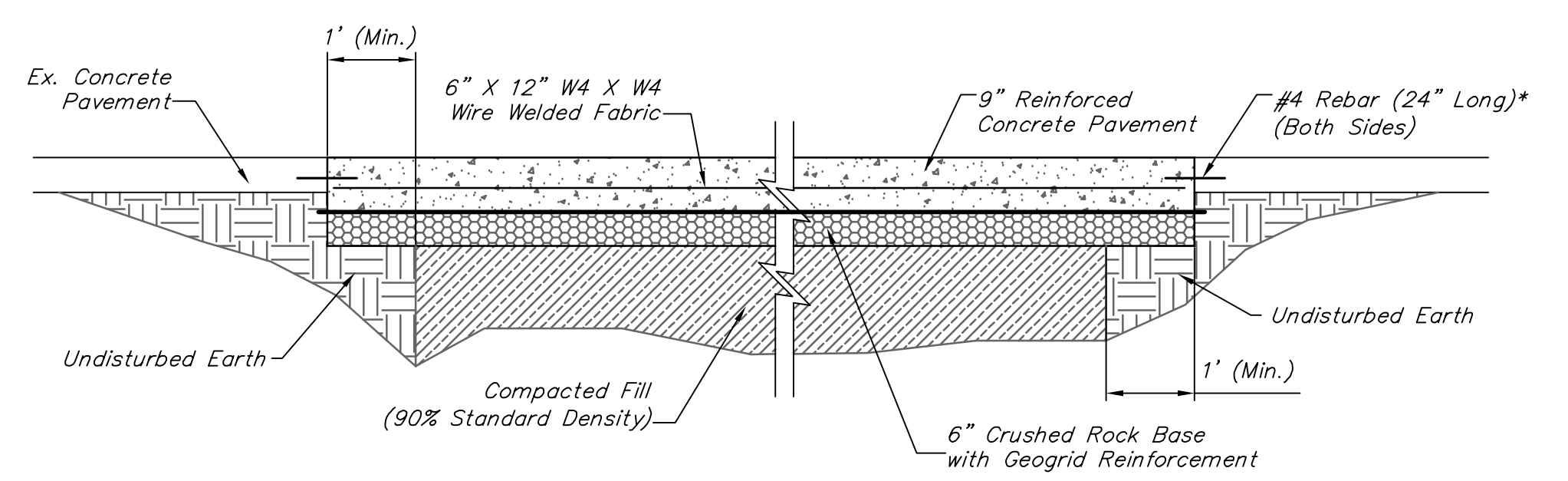
* New pavement to be tied to all adjacent concrete pavement with 24" #4 rebar drilled and grouted into the existing concrete at half depth on 30" center. See Detail, This Sheet.



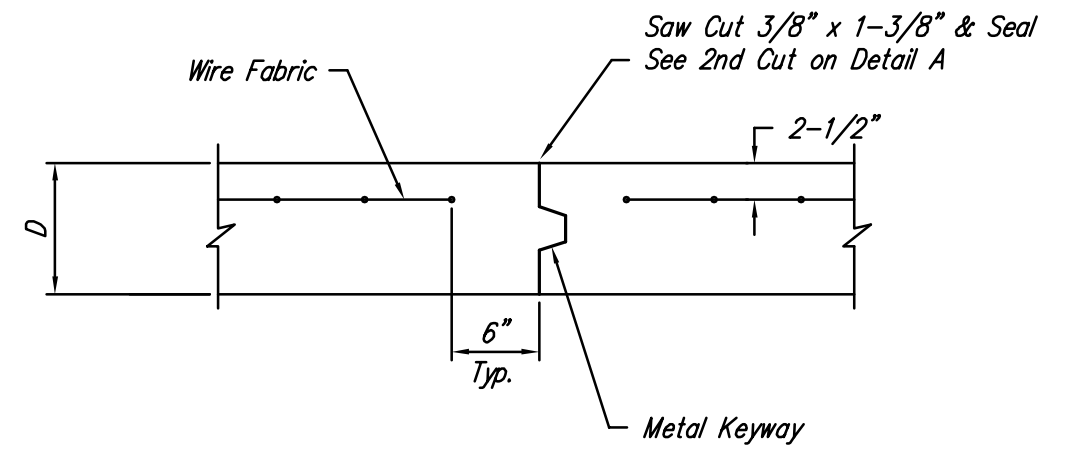
DOWEL JOINT DETAIL (E.J.)



A.C. STREET TYPICAL SECTION

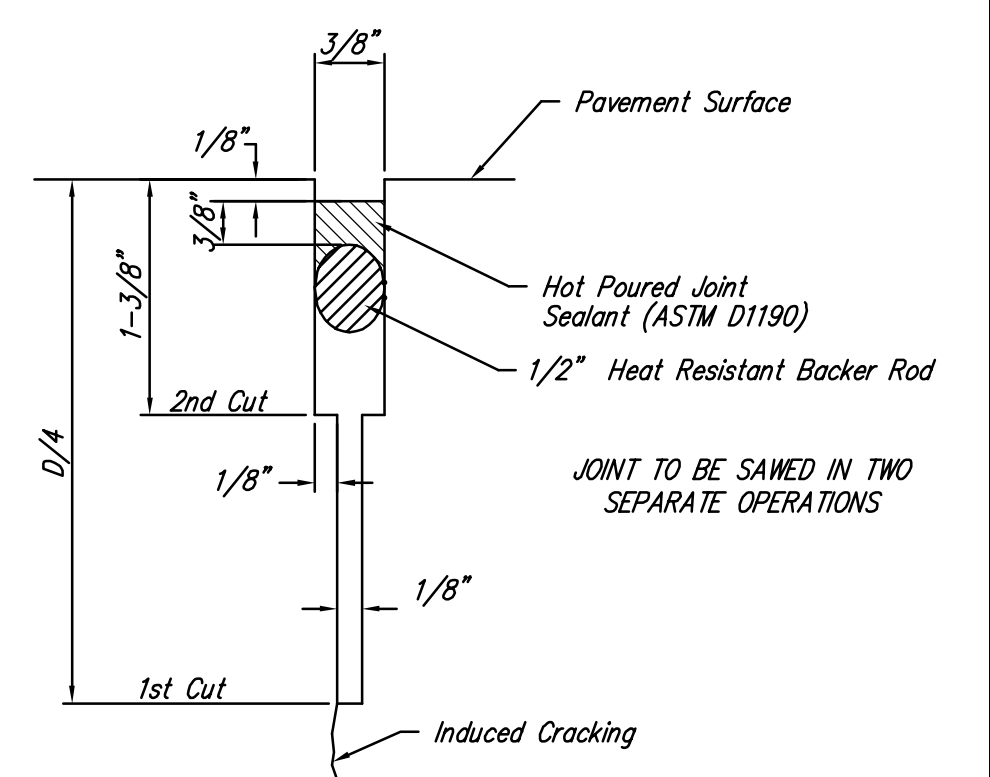


REINF. CONCRETE STREET TYPICAL SECTION

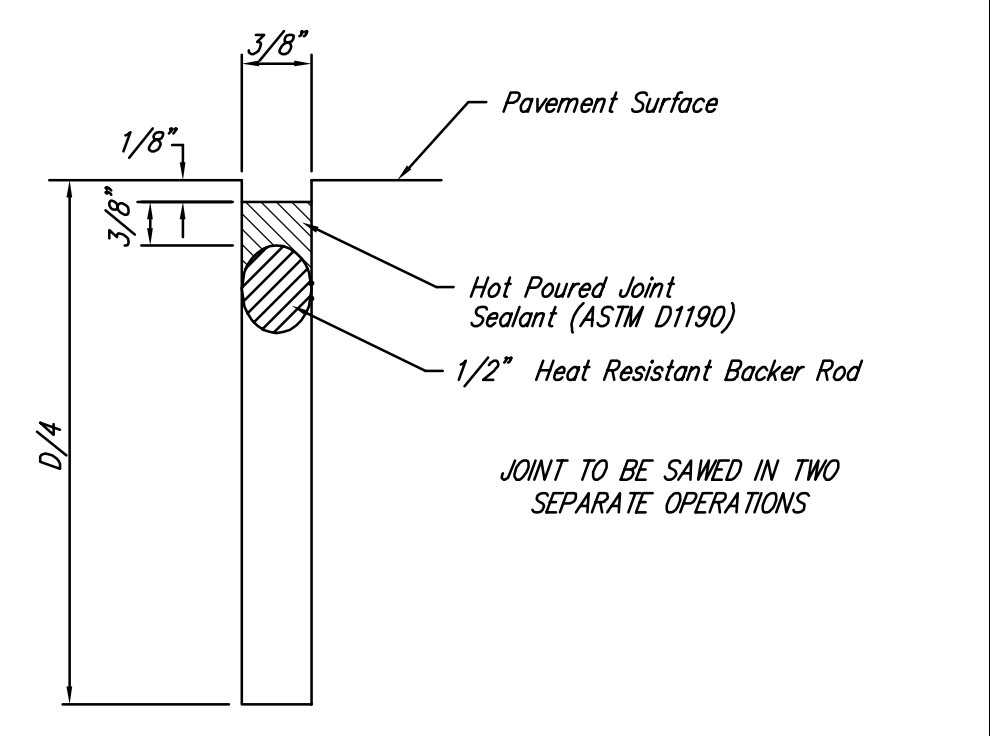


OPTIONAL CONTRACTION JOINT (CONSTRUCTION JOINT)

NOTE: 6" X 12" W4XW4 Wire Fabric Reinforcing Shall Be Placed So That The Wires With The 6" Spacing Will Run Parallel With The Longitudinal Joints.



SAW JOINT DETAIL "A"



SAW JOINT DETAIL "B"